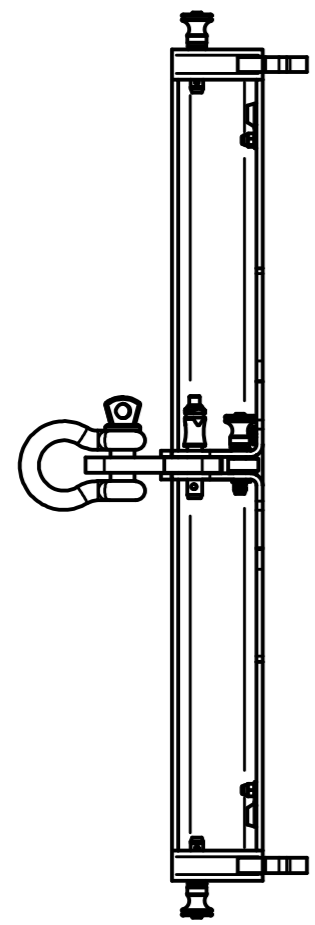
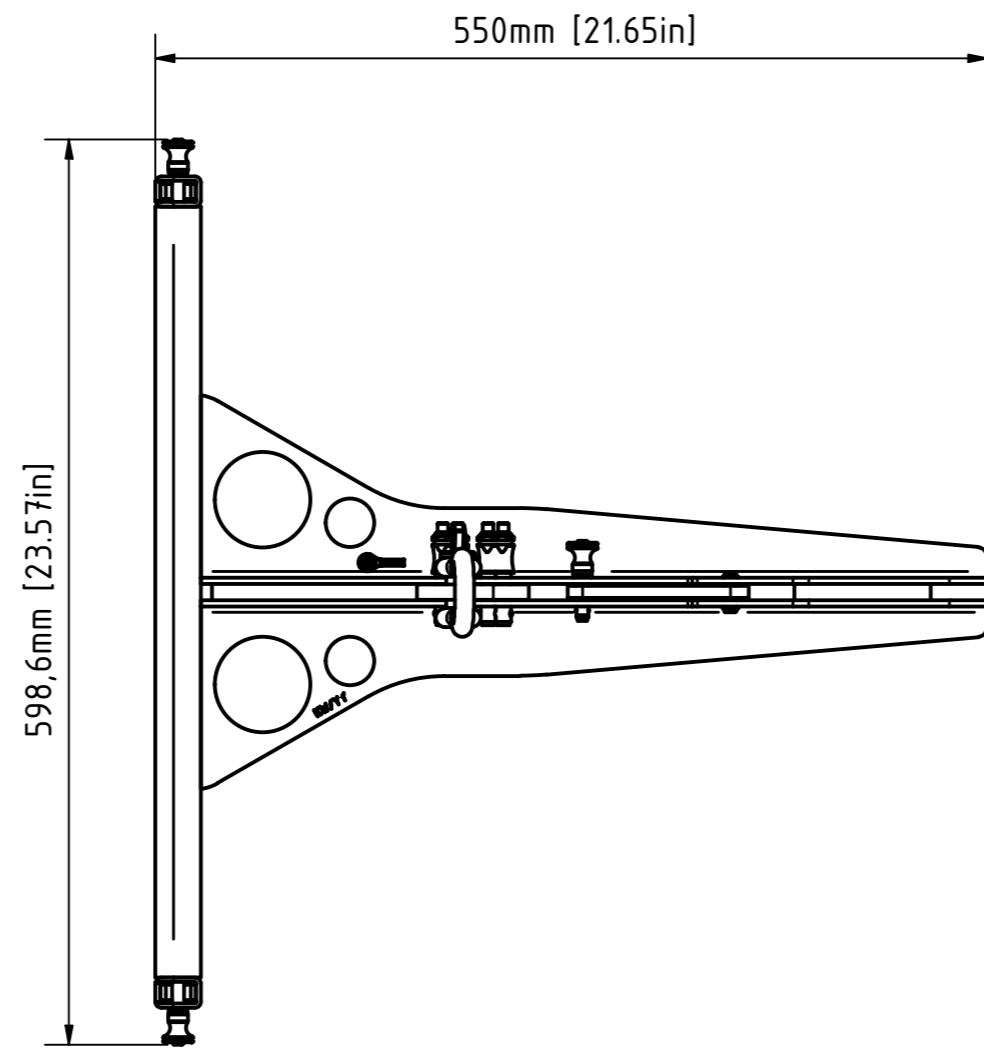


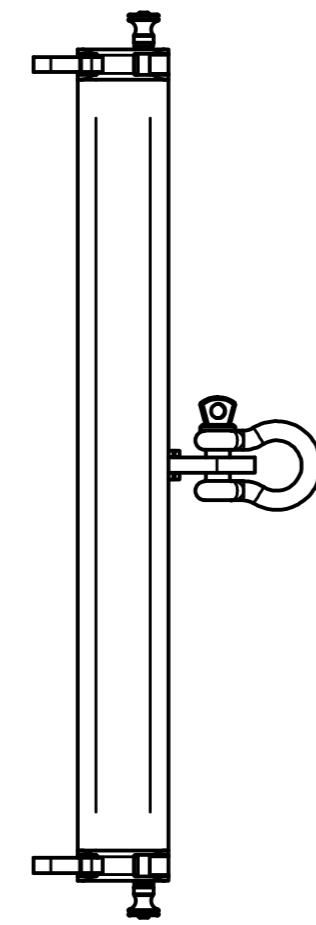
right view



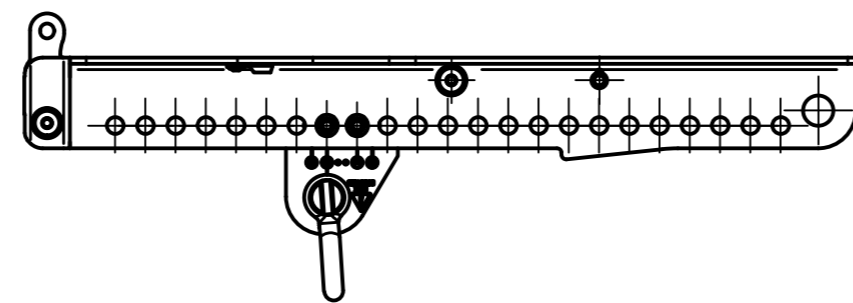
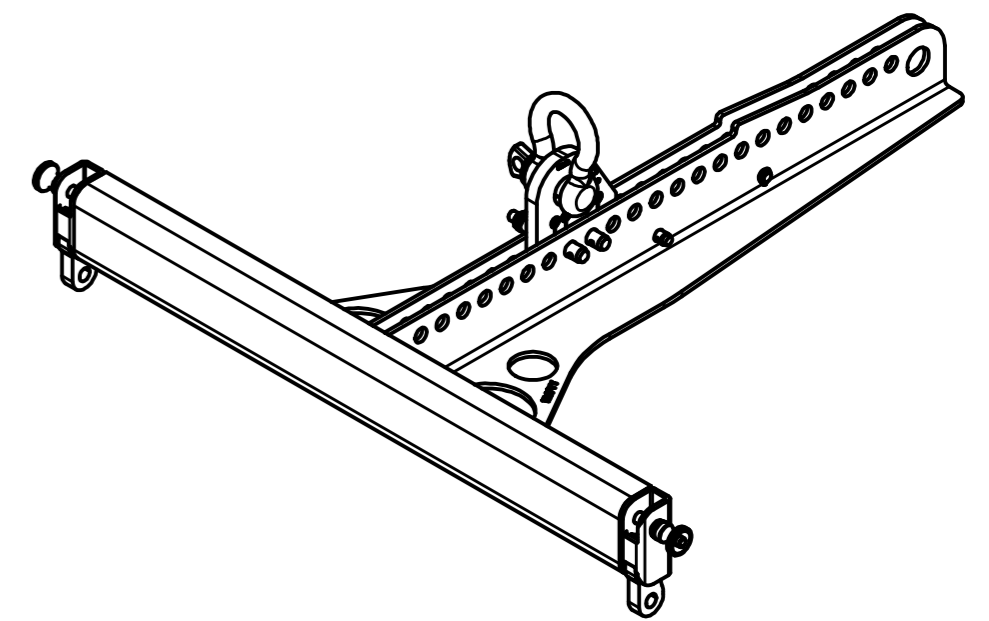
rear view



top view



front view



left view

1	Address modified		09.12.2021	Heike Konrad
rev. no.		description	date	modified by
revision process				
TWAUDIO Karl-Hofer-Str. 42 14163 Berlin www.twaudio.de		scale: 1:5		
All rights to this drawing reserved in accordance with ISO 16016. Copying and distribution by manufacturer's permission only.		weight: 9.1 kg [20.1lbs]		
general tolerance ISO 2768-mK ISO 13920-BF ISO 9013-IIA/K according to ISO 8015		document type: overview drawing	order number: 4373	
edges according to ISO 13715 surfaces (Ra) array 2 array 3 DIN ISO 1302		status type: released	type: Rigging Frame	
		date 10.02.2017	name Stefan Ullrich	
		date 10.02.2017	name Stefan Ullrich	
		checked: 09.12.2021	Heike Konrad	
		approved: 09.12.2021	Heike Konrad	
drawing number: TWA-SFV20-0001			revision no.:	sheet:
			1	1 1 Az