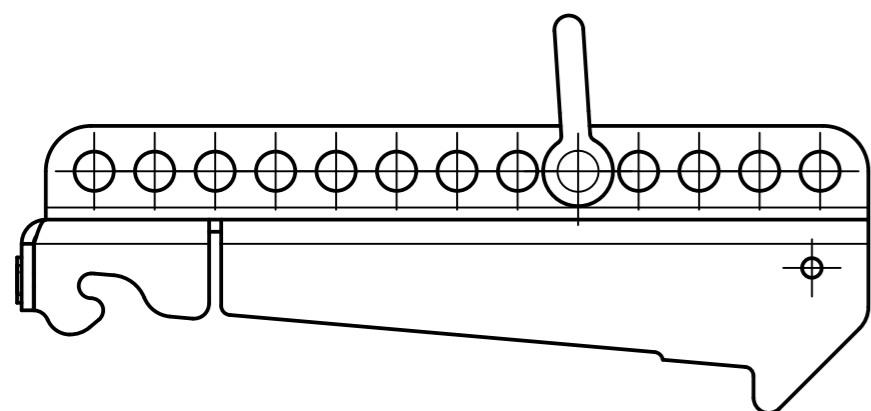
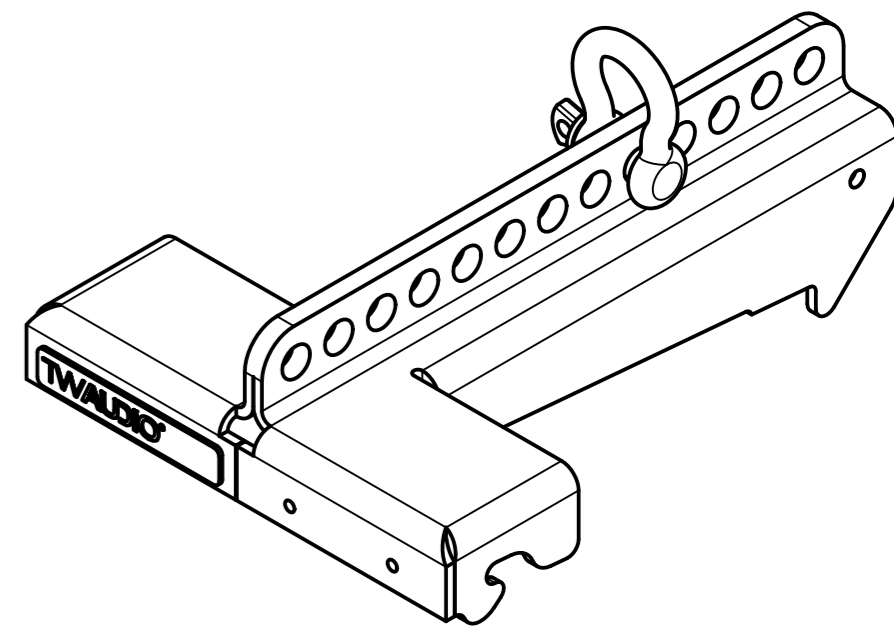
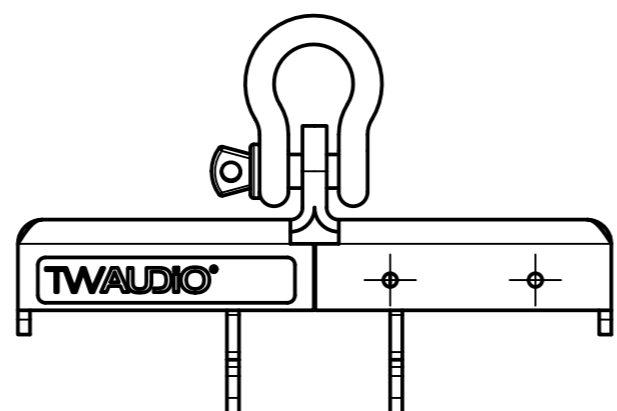


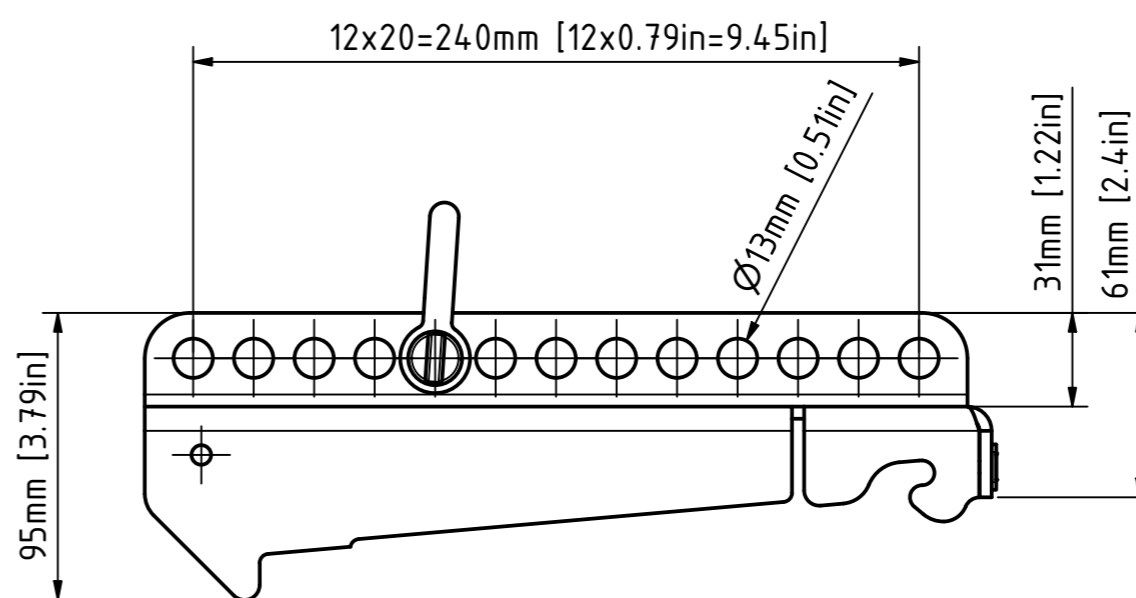
bottom view



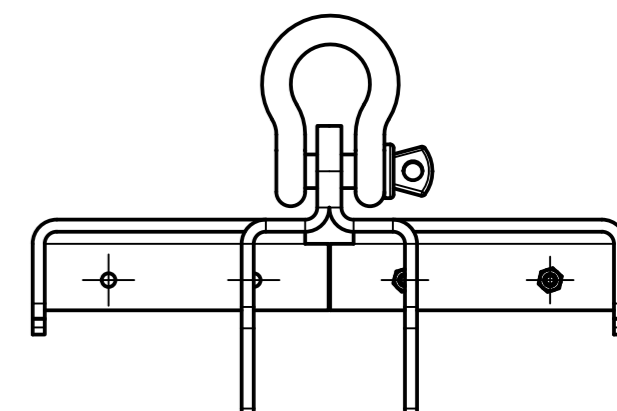
right view



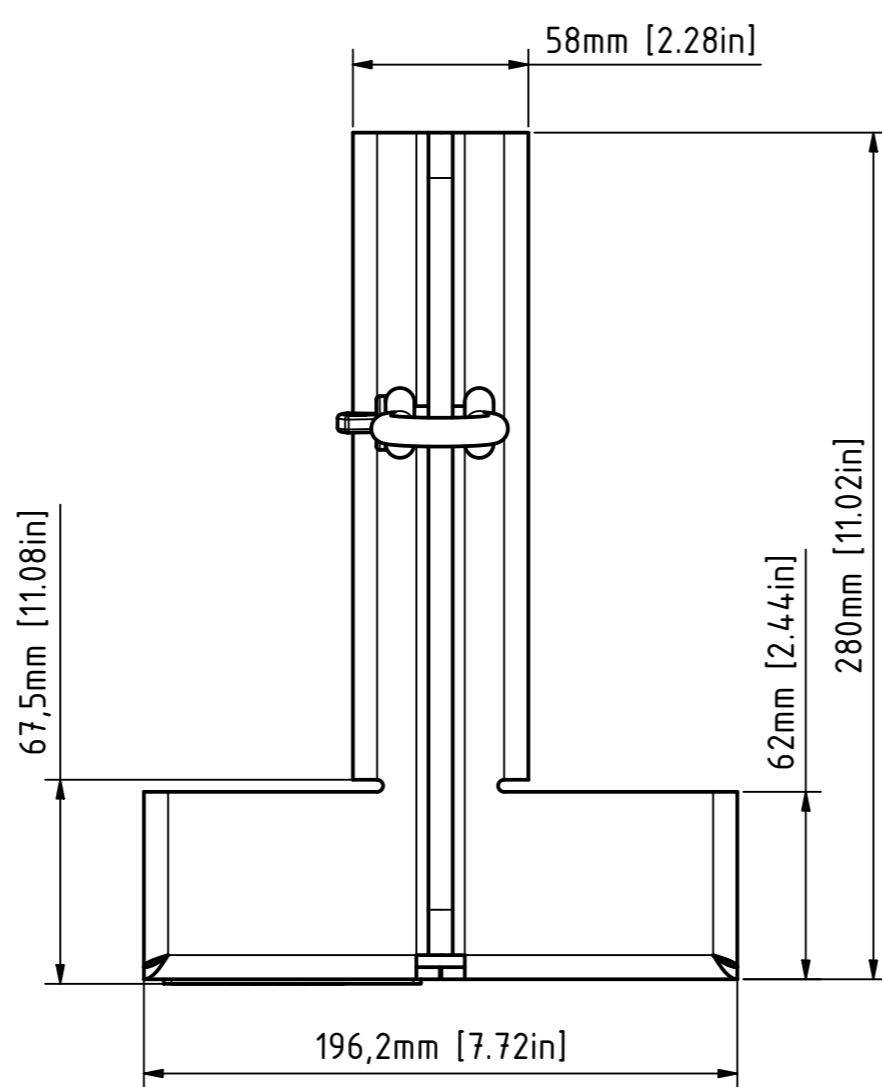
front view



left view



rear view



top view

0		11.11.2020	Heike Konrad
rev. no.		date	modified by
<b>revision process</b>			
<b>TWAUDIO</b> Osterholzallee 140-2 71636 Ludwigsburg www.twaudio.de		scale: 1:2,5	weight: 2,0 kg
All rights to this drawing reserved in accordance with ISO 16016. Copying and distribution by manufacturer's permission only.		document type: overview drawing	order number:
general tolerance: ISO 2768-mK, ISO 13920-BF, ISO 9013-IIA/K according to ISO 8015		status type: released	type: Smallframe E6 SFE6
edges according to ISO 13715		date: 21.10.2020	name: S. Freudenberger
surfaces (Ra): array 2, array 3 according to DIN ISO 1302		drawn: 22.10.2020	Heike Konrad
		checked: 11.11.2020	Heike Konrad
		approved: 11.11.2020	Heike Konrad
		drawing number: TWA-SFE6-0001	revision no: 0
			sheet: 1   1
			Az