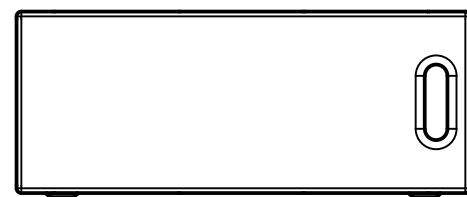
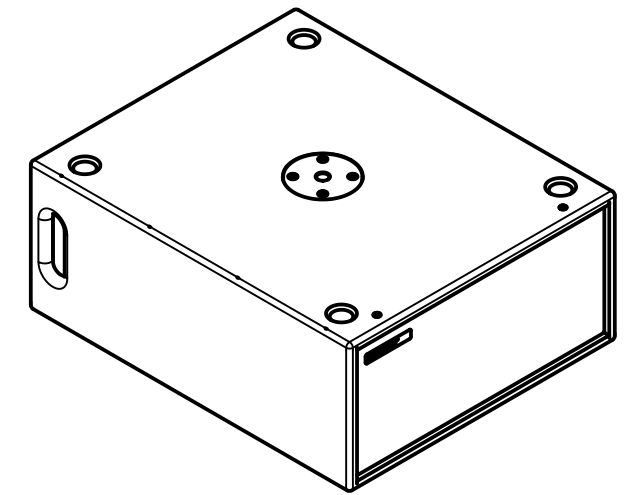
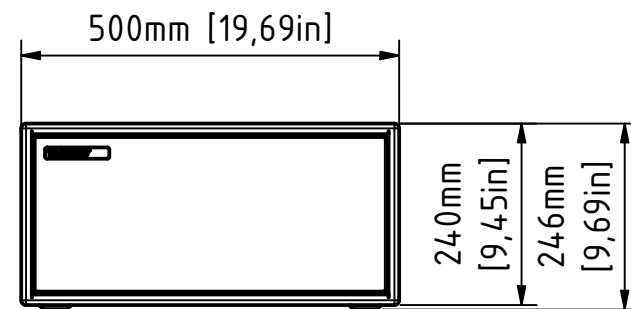


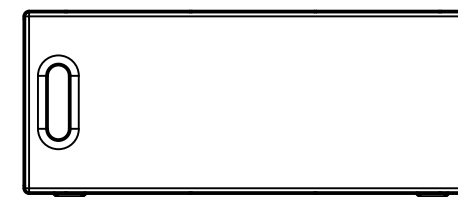
bottom view



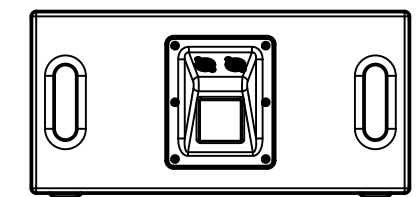
left view



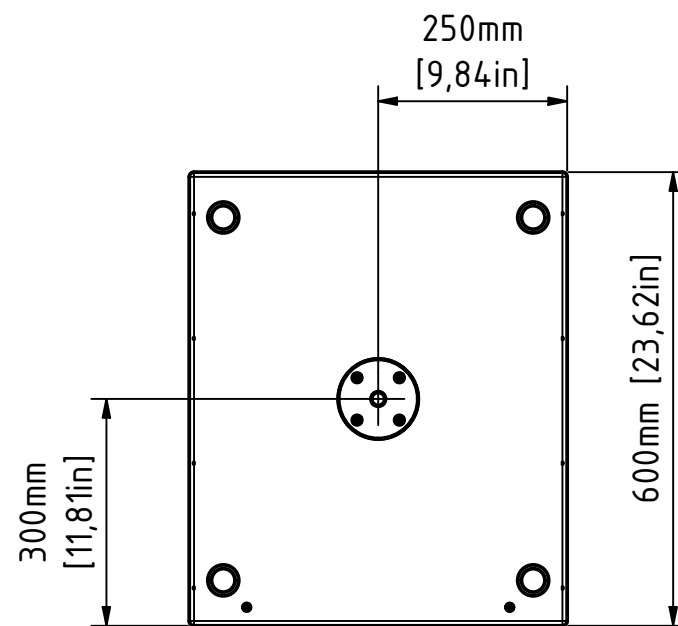
front view



right view



rear view



top view

0		22.10.2020	Heike Konrad
rev. no.	description	date	modified by
revision process			
TWAUDIO® Osterholzallee 140-2 71636 Ludwigsburg www.twaudio.de	scale: 1:10		
	weight: 21,8 kg [48,06 lbs]		
All rights to this drawing reserved in accordance with ISO 16016. Copying and distribution by manufacturer's permission only.	document type: overview drawing	order number:	
	status type: released	type: B14	
general tolerance ISO 2768-mK ISO 13920-BF ISO 9013-IIA/K according to ISO 8015	edges according to ISO 13715 surfaces (Ra) array 2 array 3 DIN ISO 1302	constructed: 28.02.2018 drawn: 17.01.2020	Stefan Ullrich Heike Konrad
approved: 22.10.2020 Heike Konrad	drawing number: TWA-B14-0001		revision no.: 0 sheet: 1 1 A3
C:\CAD_TW_AUDIO\CAD-Daten\Entwicklung\B14\B14_kpl.dwg			