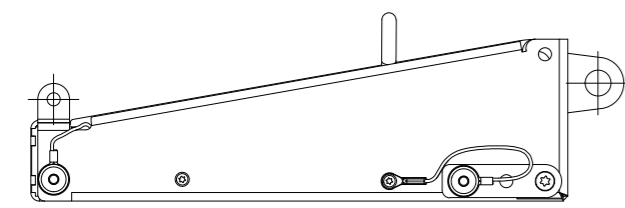
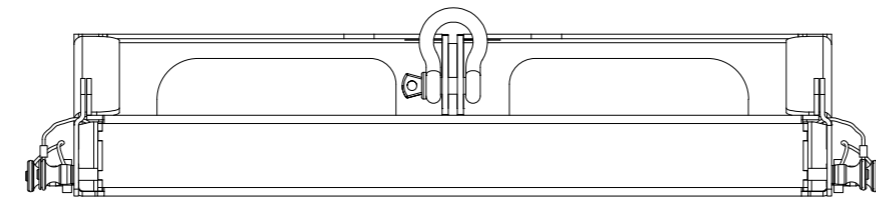


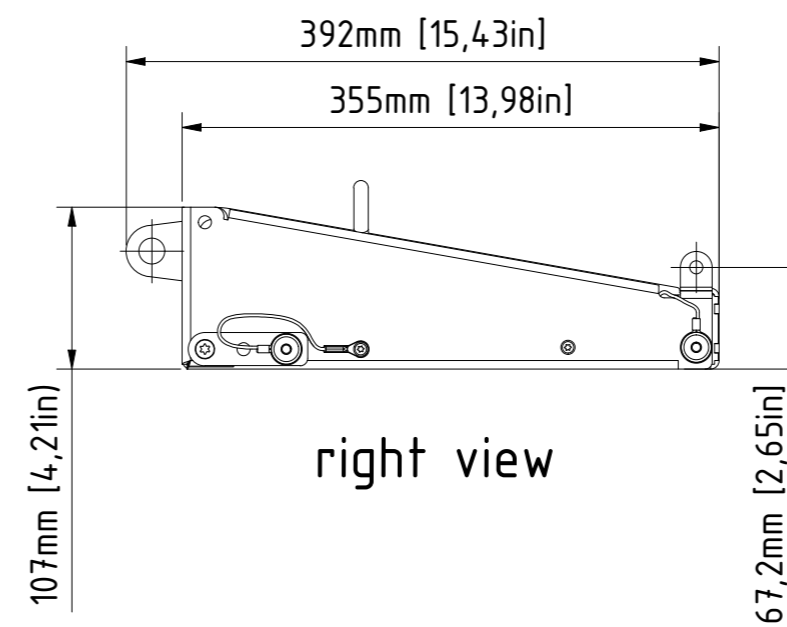
bottom view



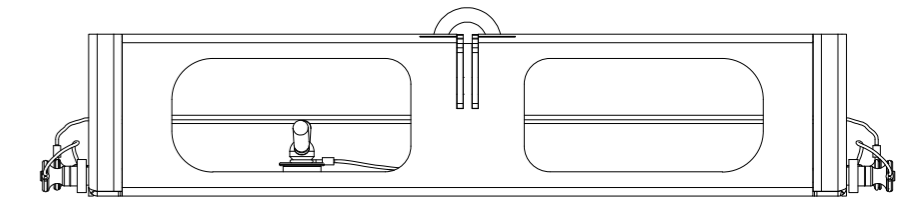
left view



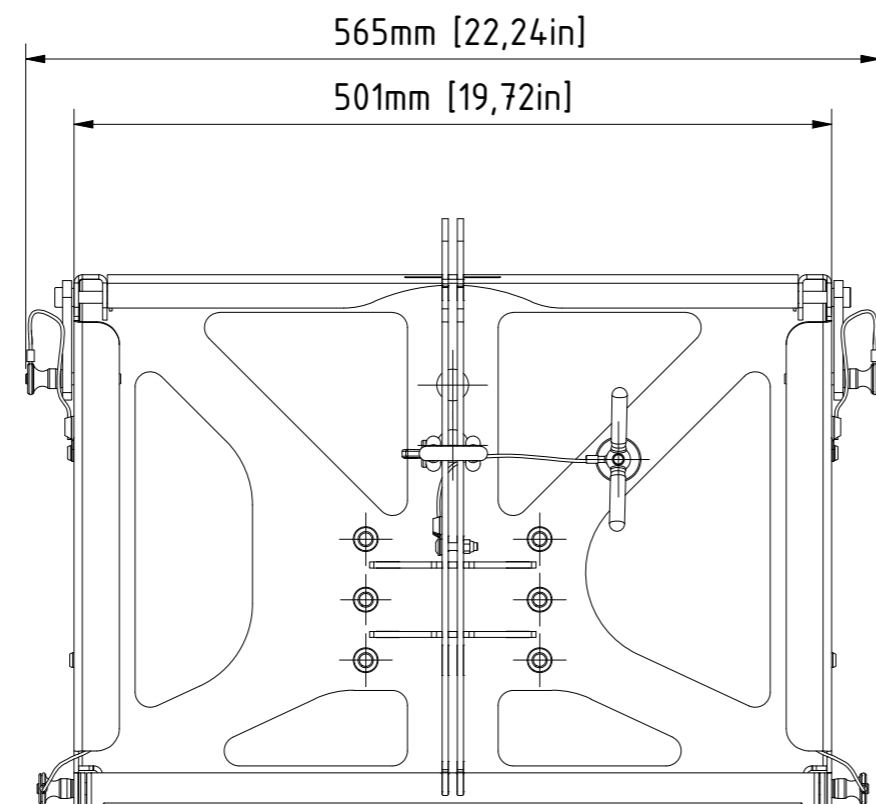
front view



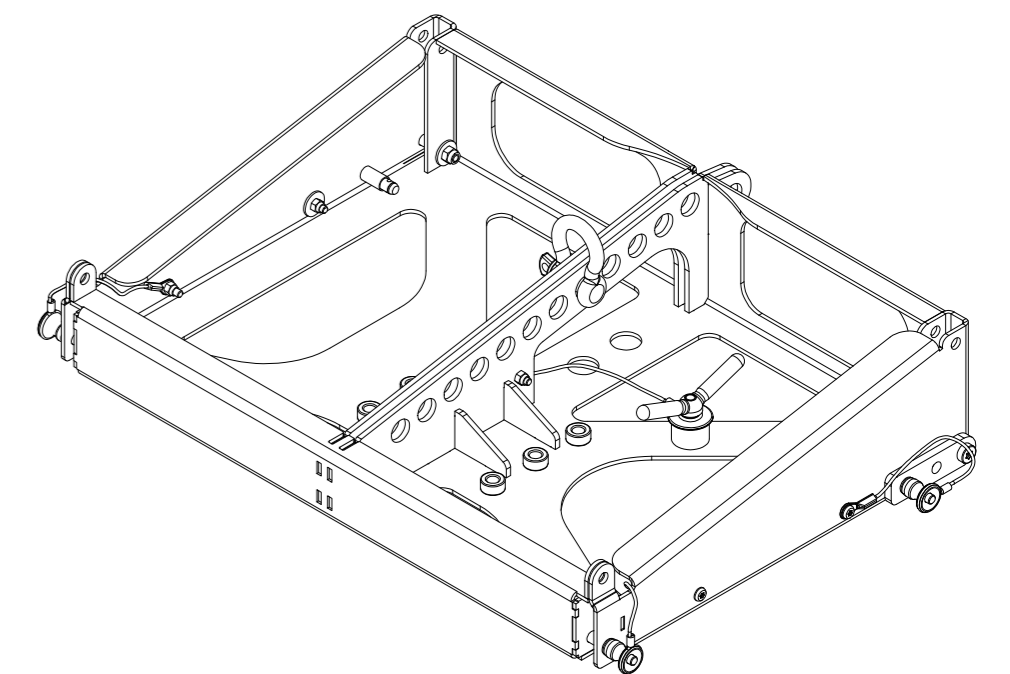
right view



rear view



top view



0		31.07.2019	Heike Konrad
rev. no.		date	modified by
revision process			
<b>TWAUDIO</b> Osterholzallee 140-2 71636 Ludwigsburg www.twaudio.de	scale:	1:5	
	weight:	6,4 kg/ 14,1 lbs	
	document type:	overview drawing	
	status type:	released	
All rights to this drawing reserved in accordance with ISO 16016. Copying and distribution by manufacturer's permission only.	date	name	
	constructed:	26.03.2015	Stefan Ullrich
	drawn:	31.07.2019	Heike Konrad
	checked:		
general tolerance	edges according to ISO 13715	drawing number:	
ISO 2768-mK	surfaces (Ra)	TWA-UF10-0001	
ISO 13920-BF	array 2	revision no.:	sheet:
ISO 9013-IIA/K	array 3	0	1
according to ISO 8015	DIN ISO 1302	AZ	