

D

C

B

A

6

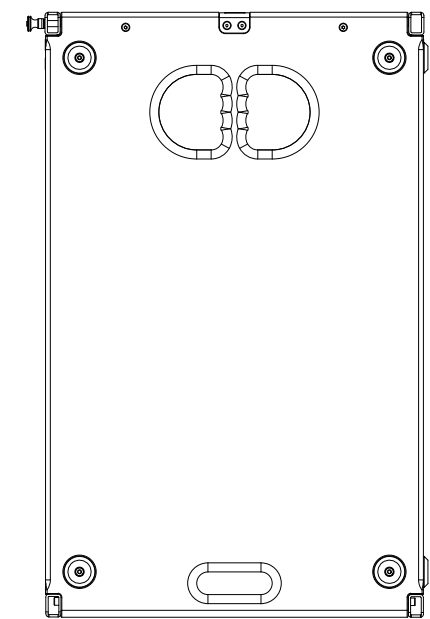
5

4

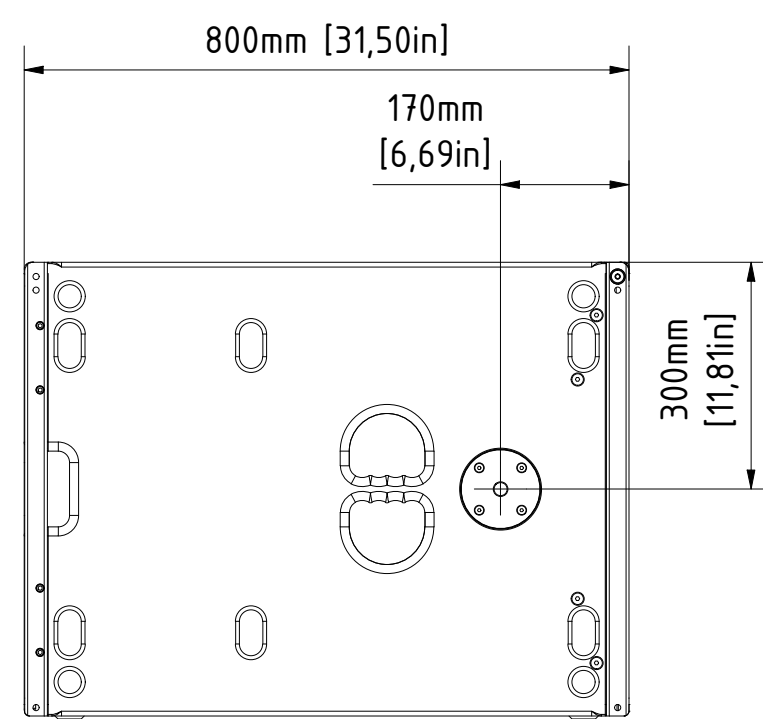
3

2

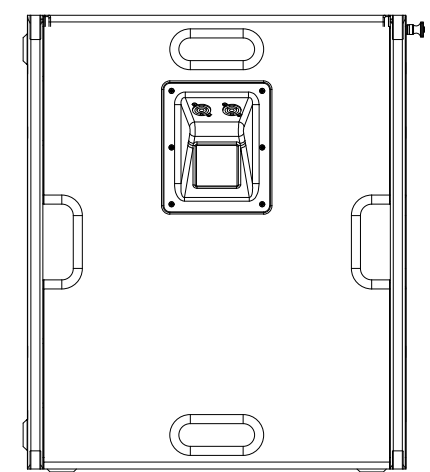
1



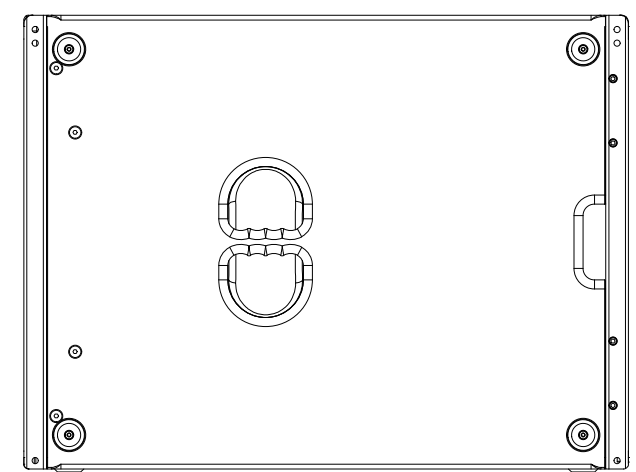
bottom view



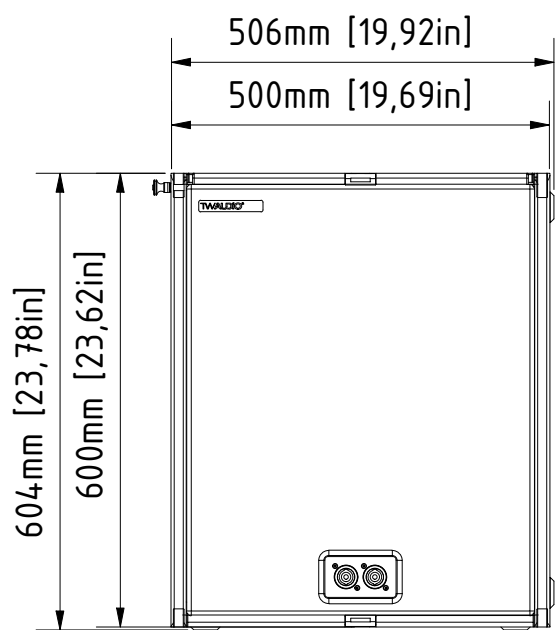
left view



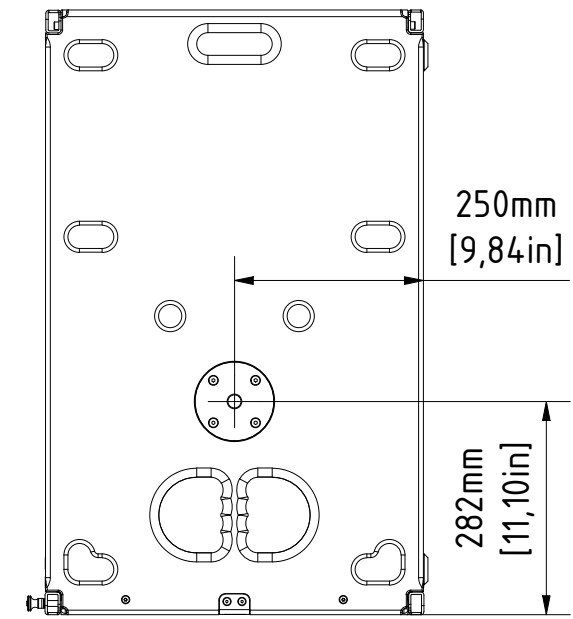
rear view



right view



front view



top view

0			07.05.2019	Heike Konrad
rev. no.		description	date	modified by
revision process				
<b>TWAUDIO®</b> Osterholzallee 140-2 71636 Ludwigsburg www.twaudio.de		scale:	1:5 (1:10)	
		weight:	48,4 kg [107 lbs]	
All rights to this drawing reserved in accordance with ISO 16016. Copying and distribution by manufacturer's permission only.		document type:	overview drawing	
		status type:	released	
general tolerance ISO 2768-mK ISO 13920-BF ISO 9013-IIA/K according to ISO 8015		edges according to ISO 13715	order number: 2110	
		surfaces (Ra) array 2 array 3 DIN ISO 1302	type: Subwoofer VERA S18	
approved: 07.05.2019 Heike Konrad		constructed:	date	name
		drawn:	06.07.2015	B. Letzgun
C:\CAD TW AUDIO\CAD-Daten\Produkte\Veras18\S18_kpl.iam		checked:	drawing number: TWA-S18-0001	
		approved:	07.05.2019	Heike Konrad
		revision no.:	0	sheet: 1   1
				A3

6

5

4

3

2

1