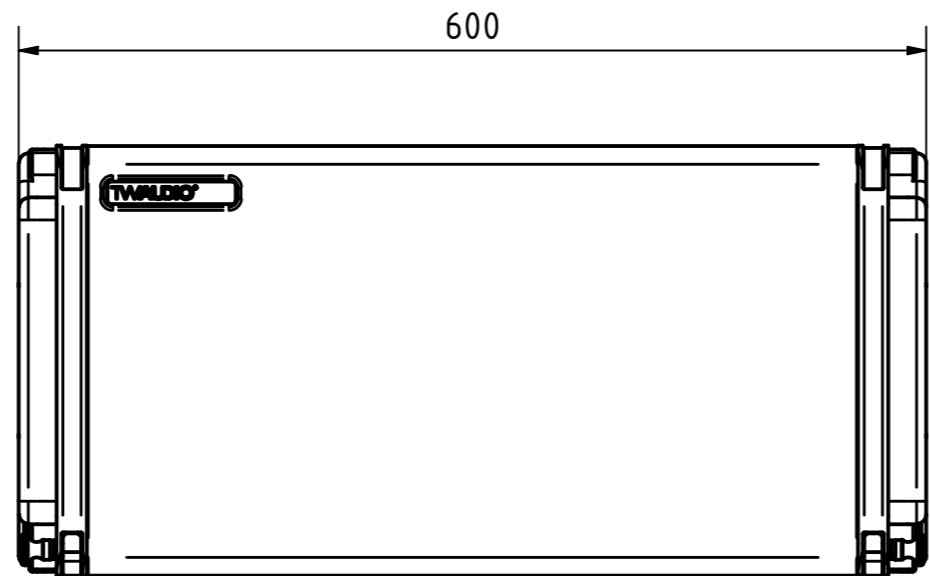
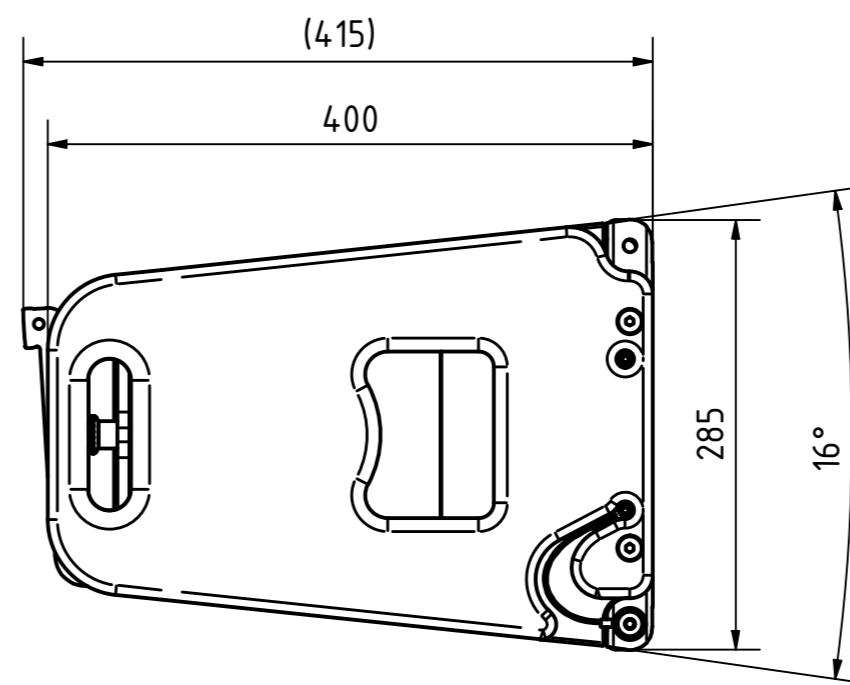


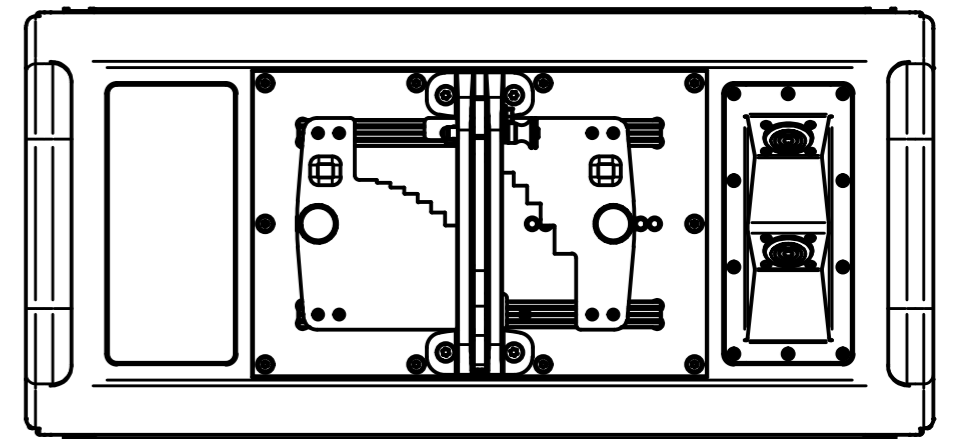
bottom view



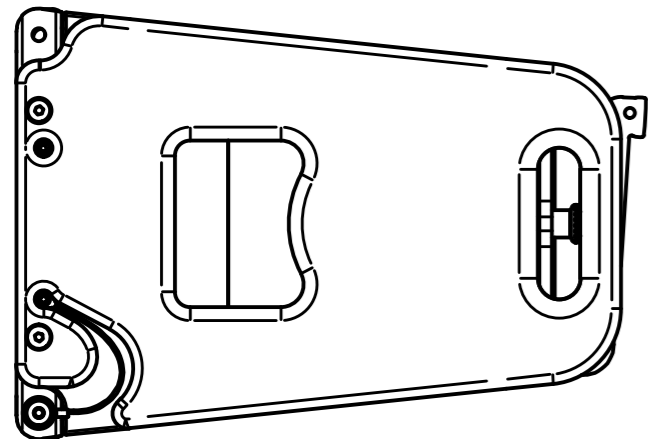
front view



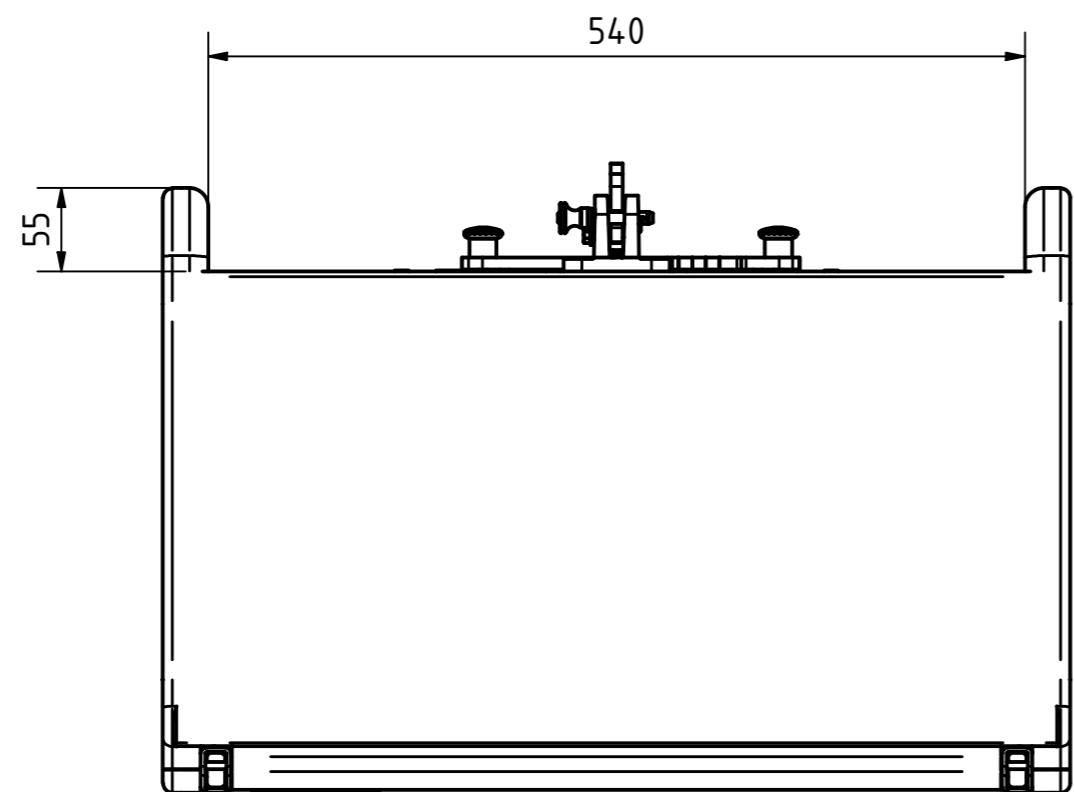
left view



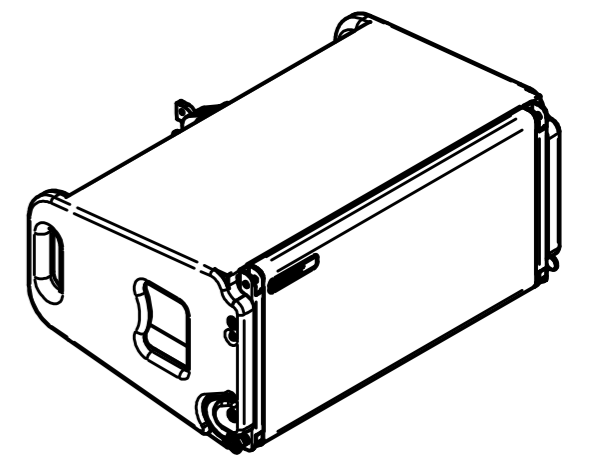
rear view



right view



top view



0			08.01.2019	Heike Konrad
rev. no.		description	date	modified by
revision process				
TWAUDIO Osterholzallee 140-2 71636 Ludwigsburg www.twaudio.de		scale: 1:5 (1:10) weight: 24 kg	order number:	
All rights to this drawing reserved in accordance with ISO 16016. Copying and distribution by manufacturer's permission only.		document type: overview drawing	type: VERA20	
general tolerance ISO 2768-mK ISO 13920-BF ISO 9013-IIA/K according to ISO 8015		status type: released	LineArray-top	
edges according to ISO 13715 surfaces (Ra) array 2 array 3 according to ISO 1302		date: 28.08.2017 name: Stefan Ullrich	drawing number: TWA-VERA20-0001	
		checked: 08.01.2019 approved: Heike Konrad	revision no.: 0	sheet: 1/1 Az
C:\CAD_TW_AUDIO\CAD-Daten\Produkt\Verz\VERA20\VERA20-kpl.dwg				