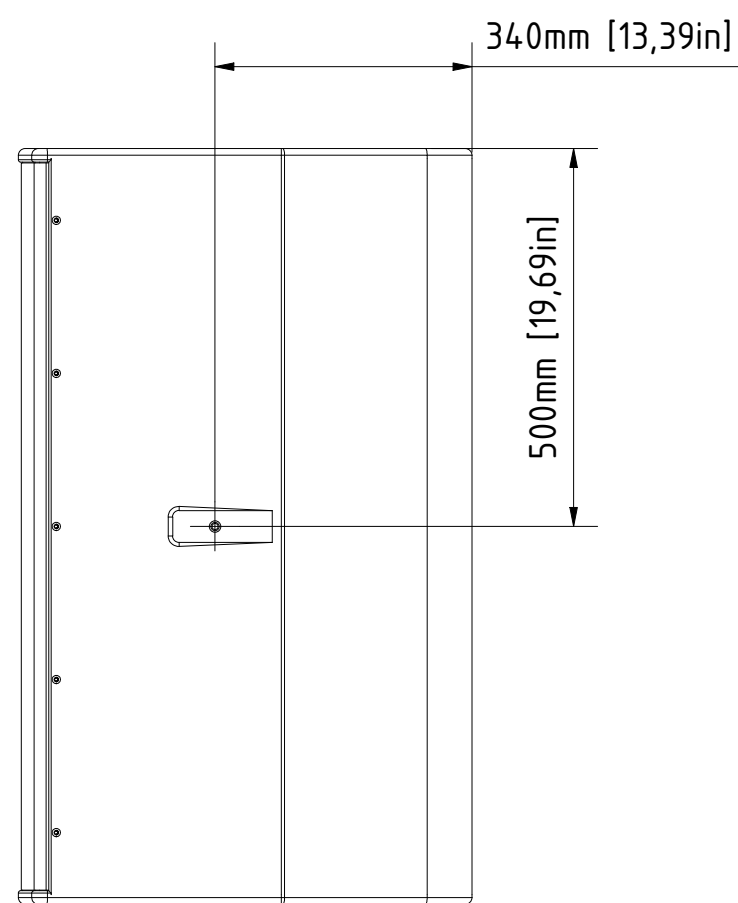
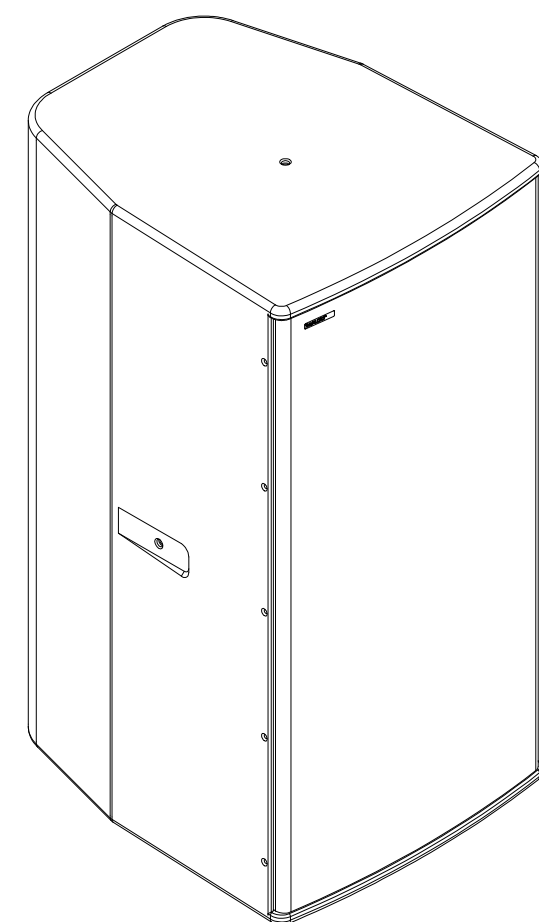
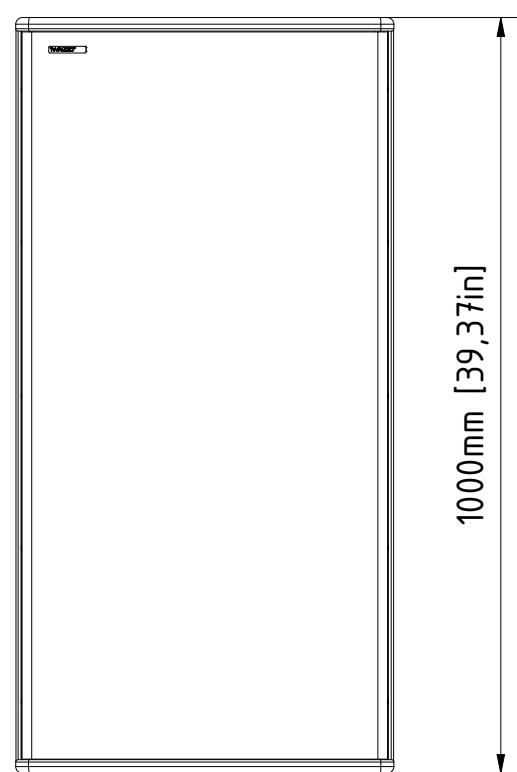


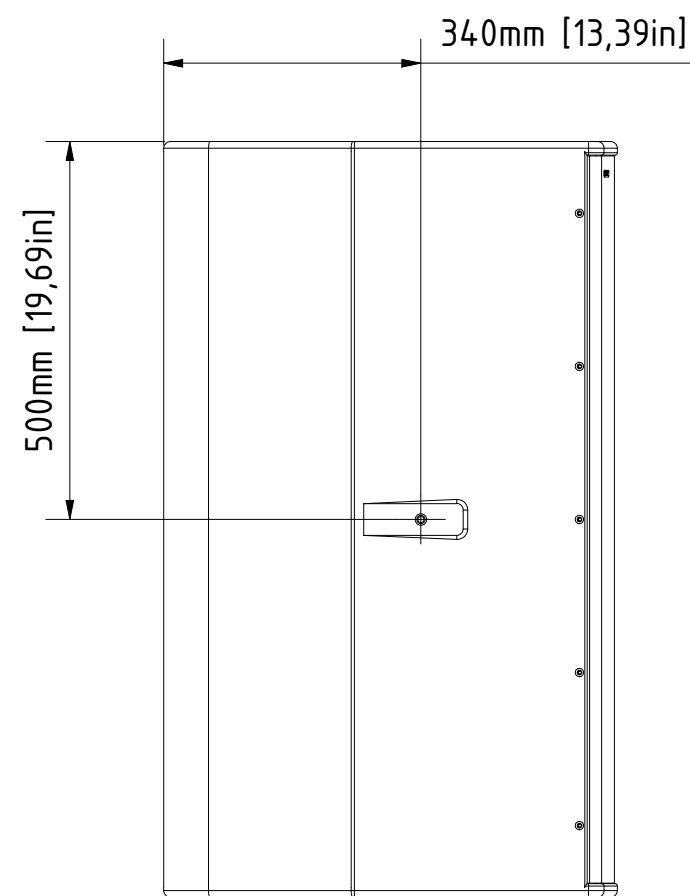
bottom view



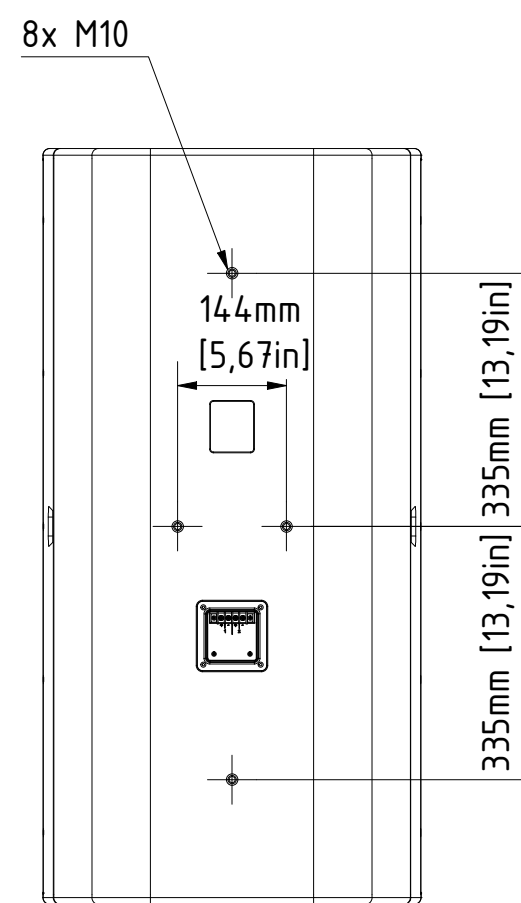
right view



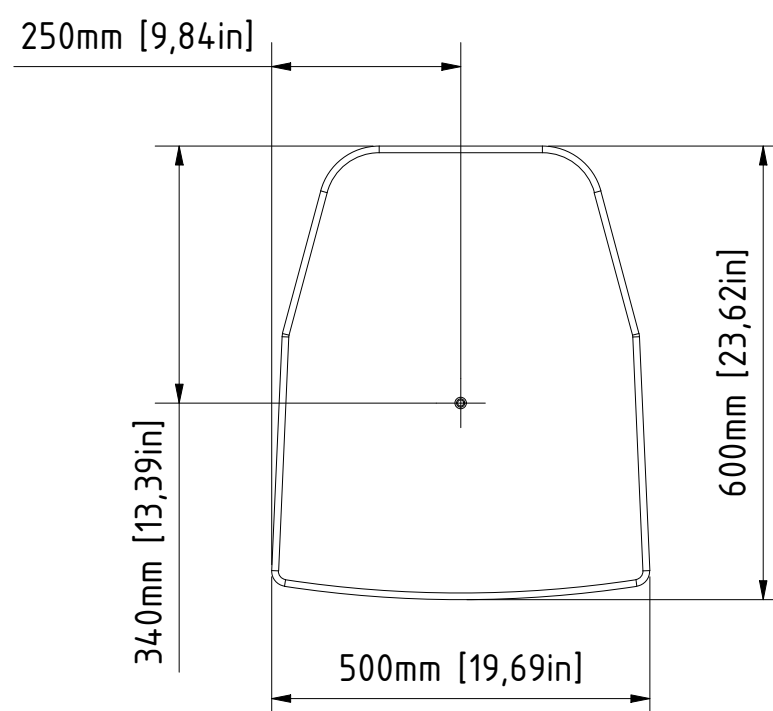
front view



left view



rear view



top view

0		06.05.2019	Heike Konrad
rev. no.	description	date	modified by
revision process			
TWAUDIO Osterholzallee 140-2 71636 Ludwigsburg www.twaudio.de		scale: weight: 64 kg [142 lbs]	order number:
All rights to this drawing reserved in accordance with ISO 16016. Copying and distribution by manufacturer's permission only.		document type: overview drawing	status type: released
general tolerance ISO 2768-mK ISO 13920-BF ISO 9013-IIA/K according to ISO 8015		date: 05.12.2016 name: B. Letzgus date: 16.02.2017 name: Heike Konrad	type: T30i
edges according to ISO 13715 surfaces (Ra) array 2 array 3 according to ISO 8015		checked: approved: 06.05.2019 Heike Konrad	drawing number: TWA-T30i-0001
		revision no.: 0	sheet: 1 / 1 AZ