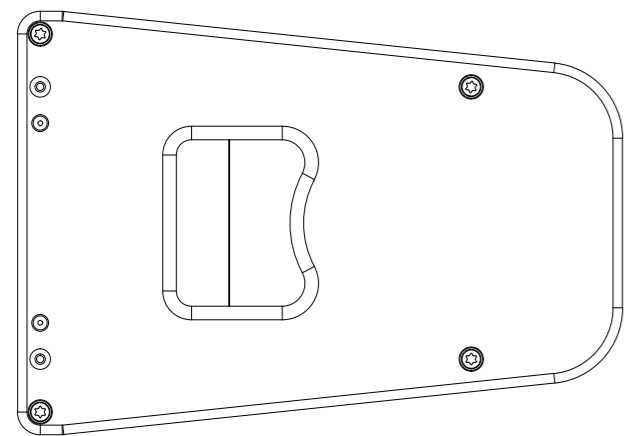
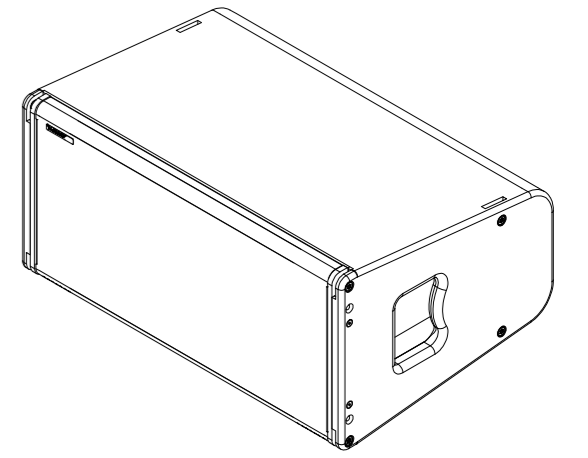
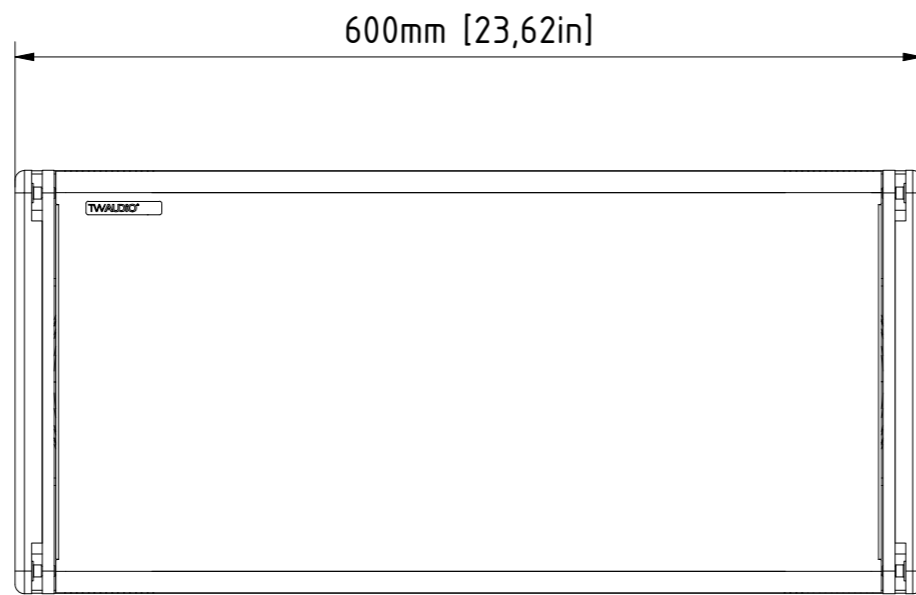




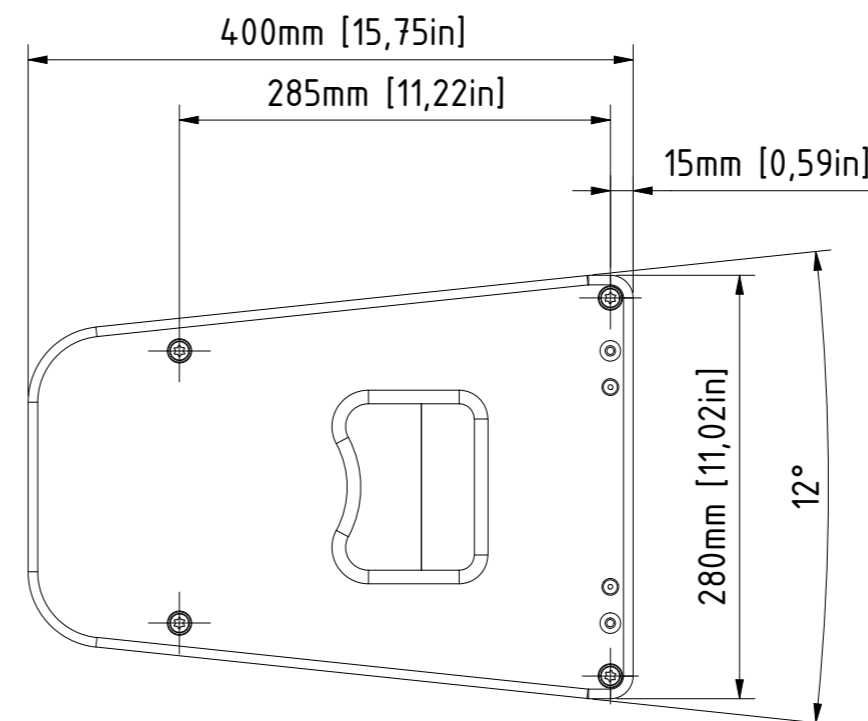
bottom view



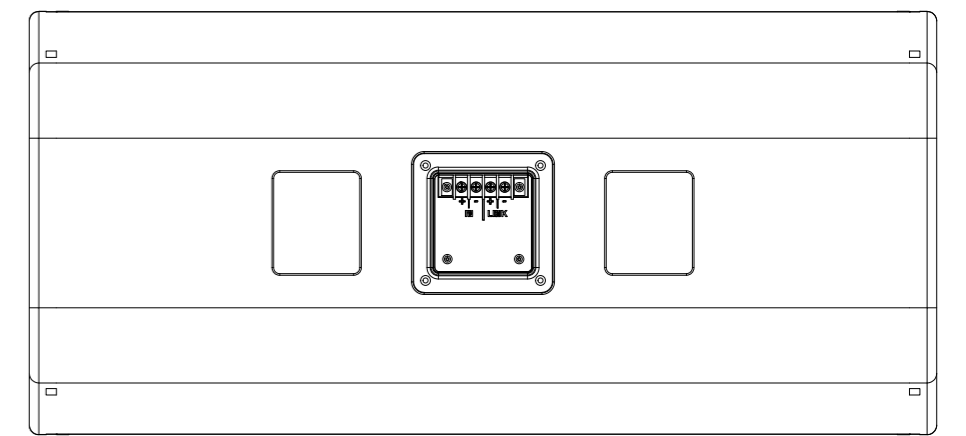
right view



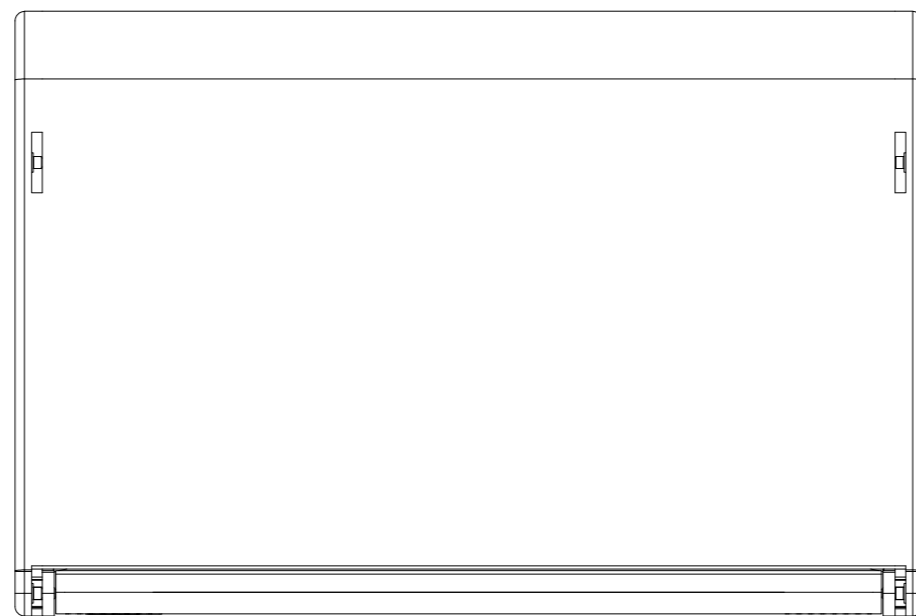
front view



left view



rear view



top view

0		06.05.2019	Heike Konrad
rev. no.		date	modified by
revision process			
TWAUDIO Osterholzallee 140-2 71636 Ludwigsburg www.twaudio.de All rights to this drawing reserved in accordance with ISO 16016. Copying and distribution by manufacturer's permission only.	scale:	1:5 (1:10)	
	weight:	24 kg [53 lbs]	
	document type:	overview drawing	
	status type:	released	
	date	name	
constructed:	24.04.2015	Stefan Ullrich	
drawn:	08.01.2019	Heike Konrad	
checked:			
approved:	06.05.2019	Heike Konrad	
general tolerance	edges according to ISO 13715	drawing number:	
ISO 2768-mK	surfaces (Ra)	TWA-VERA20i-0001	
ISO 13920-BF	array 2	revision no:	0
ISO 9013-IIA/K	array 3	sheet:	1
according to ISO 8015	DIN ISO 1302	AZ	1