

SAFETY INFORMATION

Before you use this TW AUDIO product, read T24 manual carefully.

Loudspeakers can be checked and stamped according to BGV C1 by official departments. For more information contact TW AUDIO at info@twaudio.com or +49 (0) 71 41 - 48 89 89 0

GENERAL

The T24 is complex horn-in-horn designed loudspeaker, equipped with two 12" drivers and one 1,4" drivers with 60 x 40 dispersion rotateable horn.

T24 as default is available in black colour and warnex structure paint coating. All RAL colours are possible.

The T24 is available in passive (T24P) and 2-way active/blamped version (T24A). This document refers to the passive version (T24P) where a passive x-over is a part of enclosure.

The T24P can be used with 2 or 4 wires speaker cables. The connection to the T24P is done via the PIN 1+/- (Fig 3.)

TW AUDiO always recommends to use 4 wire cables.

To study more differences between active and passive version download and compare with T24A ACTIVE quick setup guide.

The T24 is designed to be powered by DSP equipped amplifier. TW AUDIO recommends the Powersoft K3DSP AESOP or LAB PLM as system amplifiers. As an external controller for other amps it's recommended to use the LAKE LM26 or LM44.

The T24 always requires a dedicated preset loaded on the amplifier/controller. Never use the loudspeaker without this preset. Always be aware to have the correct preset loaded on your system amplifier before connecting the Loudspeaker. Be sure that the internal connections in the amplifier rack are identical to shown on Fig 2.

For best performance, sound reinforcement systems require proper optimization depending on their size, setup, location and the room acoustics. For system optimization TW AUDiO recommends professional dual FFT measuring systems with phase and magnitude response.

COMBINATION WITH OTHER PRODUCTS

T24 can be combined with any TW AUDiO subwoofers products. All the loudspeakers are phase coherent in the shared x-over frequency range.

Please see system examples papers on www.twaudio.com for system combinations and setup examples.

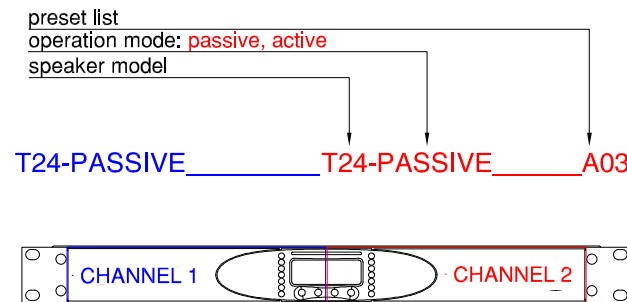
ACCESSORIES

T24 can be flown as a single unit (SBT24, DHST), mounted on speaker stand (SBT24, HSF). Vertical and horizontal clusters can be also set up. Please study the T24 rigging guide for more details.

If you have any problems with your product don't hesitate to contact TW AUDIO on support@twaudio.com or by phone +49 (0) 71 41 - 48 89 89 55

T24	PASSIVE	
Frequency range	[Hz]	100 - 18 000
Power pgm/peak	[W]	1200 / 2000
Impedance	[Ohm]	4
Dispersion		60 x 40, rotateable horn
Sensitivity	[dB]	110
max SPL	[dB]	143
Dimensions	[mm]	706 x 440 / 224 x 440
Weight	[kg]	46

FIG 1. PRESETS / REFERED TO PRESETLIST A03



PRESET NAME	
CHANNEL 1	CHANNEL 2
T24 PASSIVE	
T24-PASSIVE	T24-PASSIVE_A03
BS30	T24-PASSIVE_A03

Despite the fact of passive x-over inside enclosure (which splits frequencies between 12inch drivers and 1,4 HF driver) T24P still requires correct preset for proper operation.

T24 is available only in CUT mode.

FIG 2. APL4-K AMPLIFIER RACK

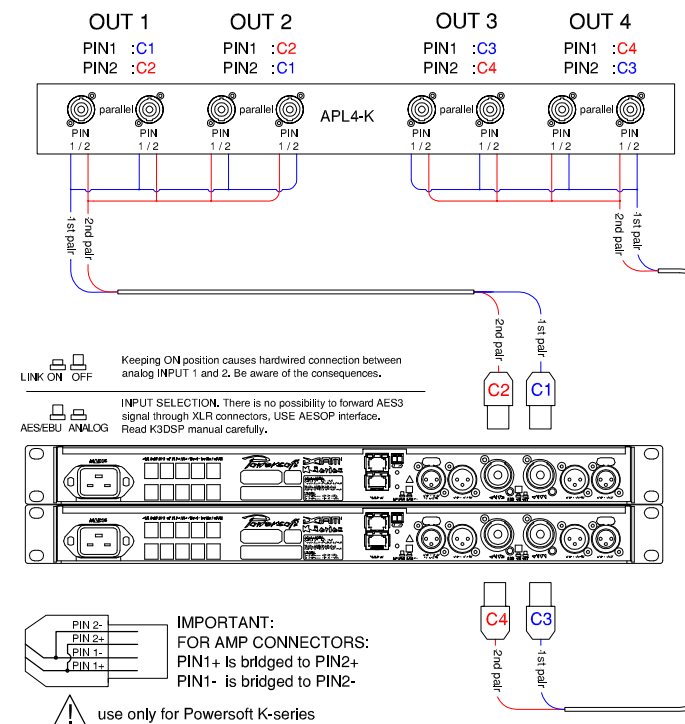


FIG 3. INTERNAL WIRING DIAGRAM

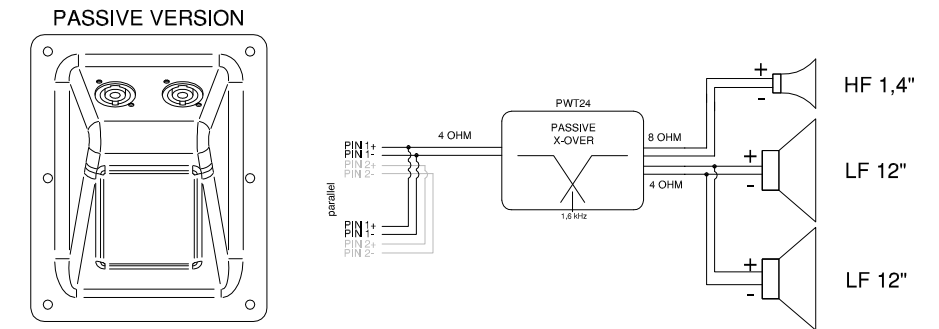
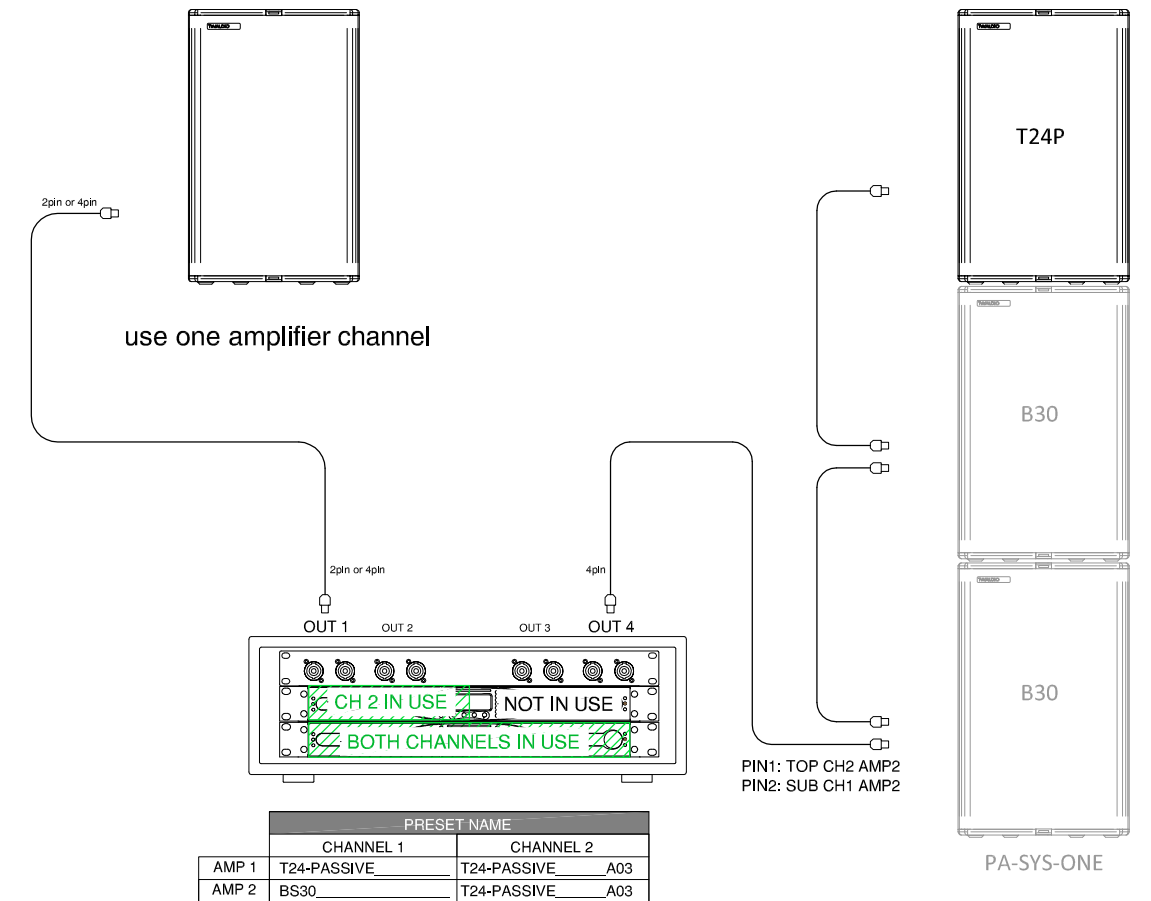


FIG 4. T24P - CONNECTION TO THE AMPLIFIER



***NOTE:**

For standalone use:
for first amplifier use OUT 1 or/and OUT 2 depends amplifier channel in use.

For combination with subwoofers
TW AUDiO presets are designed that first channel drives LF loudspeaker/ drivers while second amplifier channel M/HF source. For this combination always use OUT2 for first amplifier and OUT4 for second amplifier.

for long term high SPL requirements drive only 1 unit on one POWERSOFT K3DSP channel (4 OHM operation) for lower SPL requirements, it is possible to drive 2 boxes on POWERSOFT K3DSP channel (2 OHM operation)