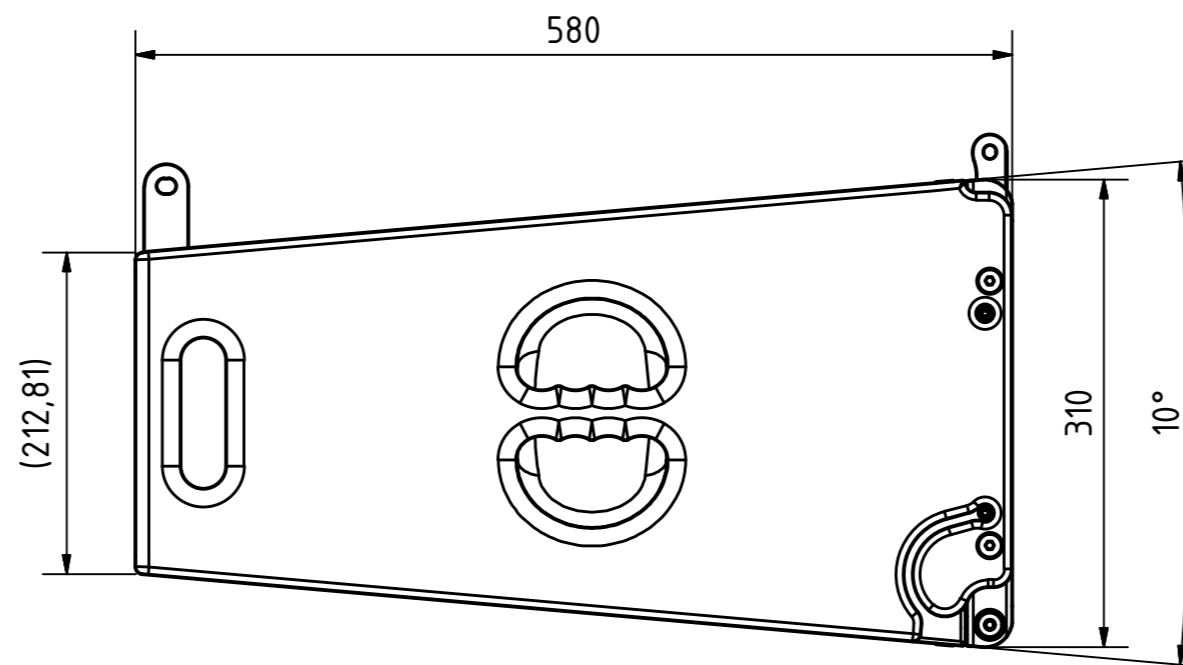
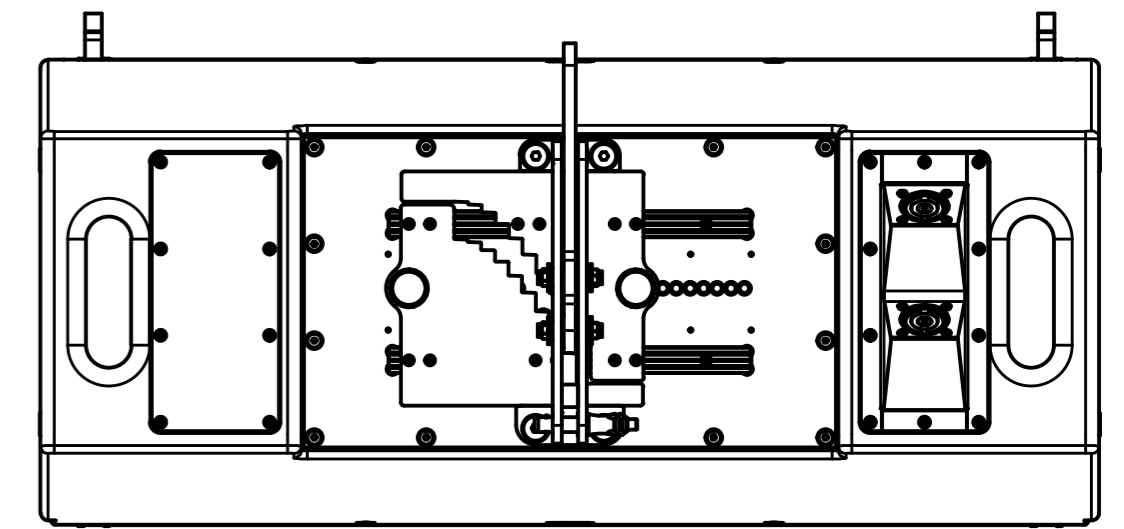


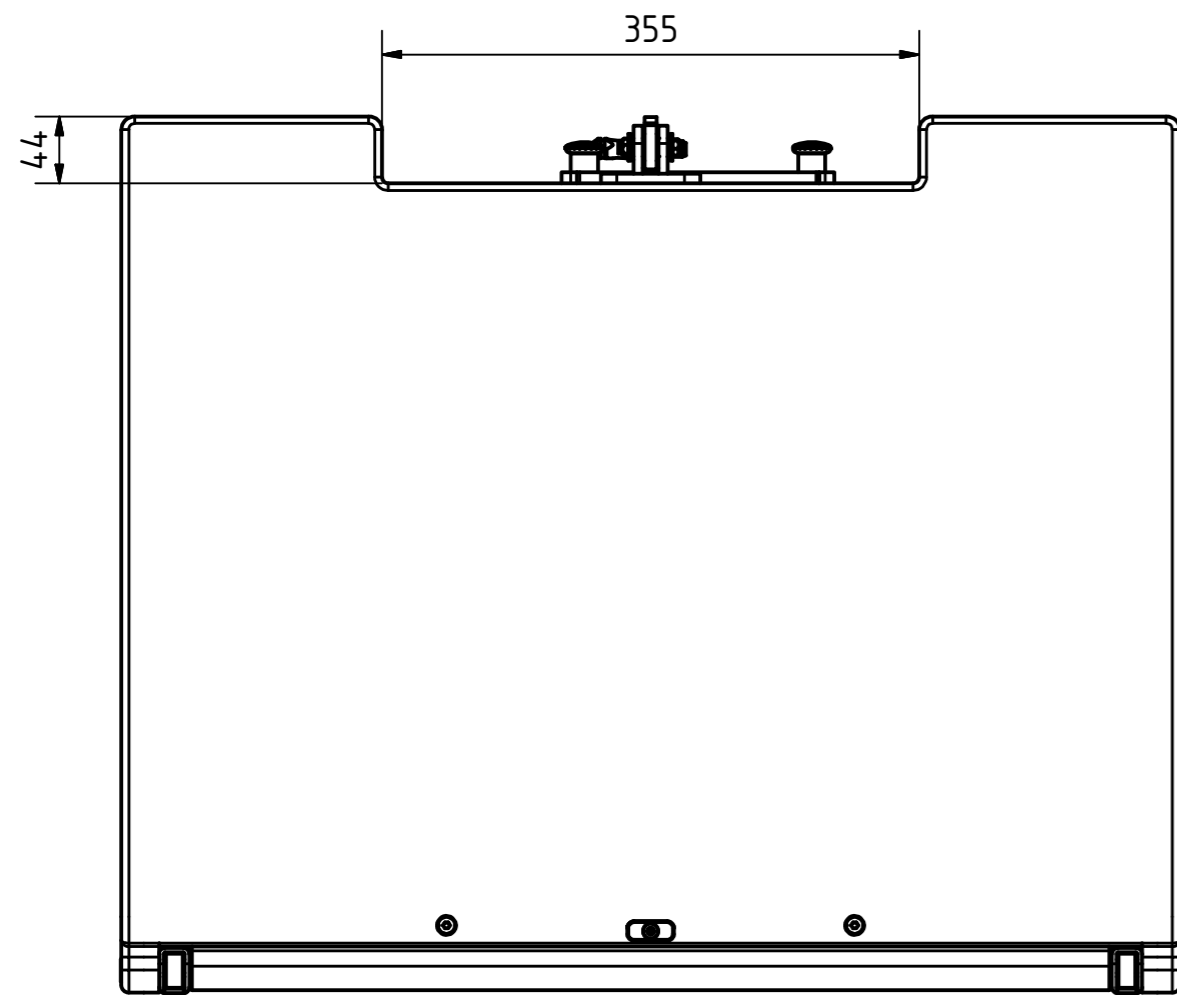
front view



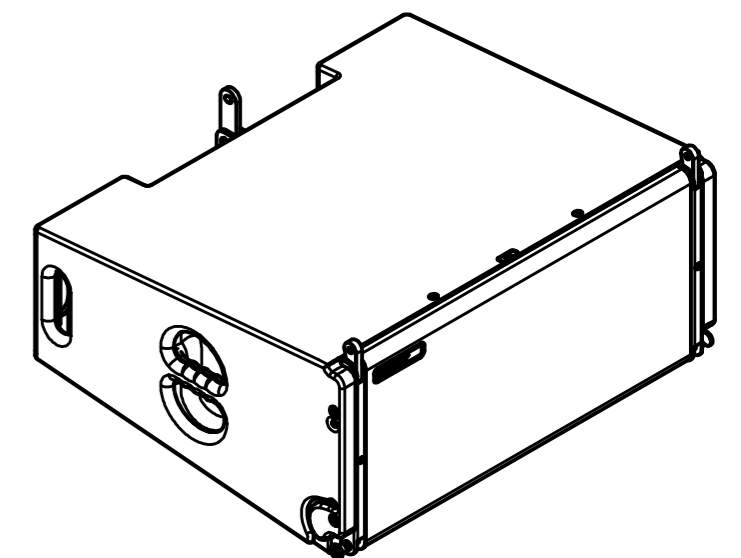
side view



back view



top view



0	rev. no.	description	date	modified by
		revision process		
		scale: 1:5 (1:10)		
		weight: 4,6 kg		
		document type: overview drawing		order number: 2117
		status type: released		type: VERA36-80
				LineArray top
		constructed: 13.02.2013	Stefan Ullrich	
		drawn: 13.05.2013	Stefan Ullrich	
		checked:		drawing number: TWA-VERA36-0001
		approved:		revision no: 0
		general tolerance: according to ISO 8015	edges according to ISO 13715	sheet: 1 1
		ISO 2768-mK	surfaces (Ra) array 2	Az
		ISO 13920-BF	array 3	
		ISO 9013-IIA/K	array 3	
		according to ISO 8015	DIN ISO 1302	
		C:\CAD_TW_AUDIO\CAD-Daten\Entwicklung\VERA36\VERA36_spl.lam		