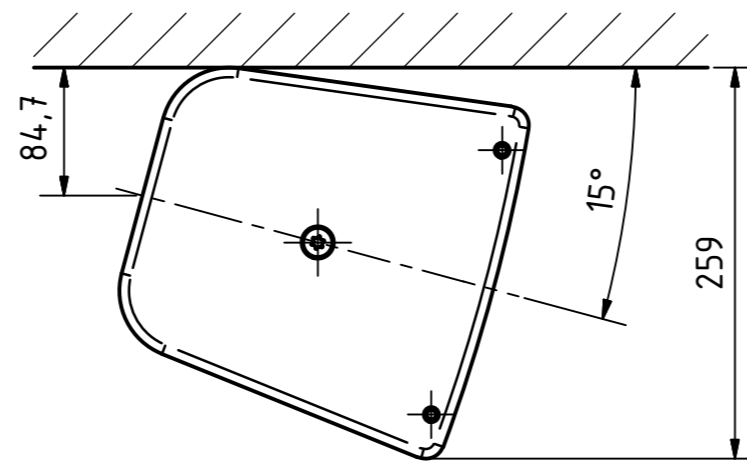
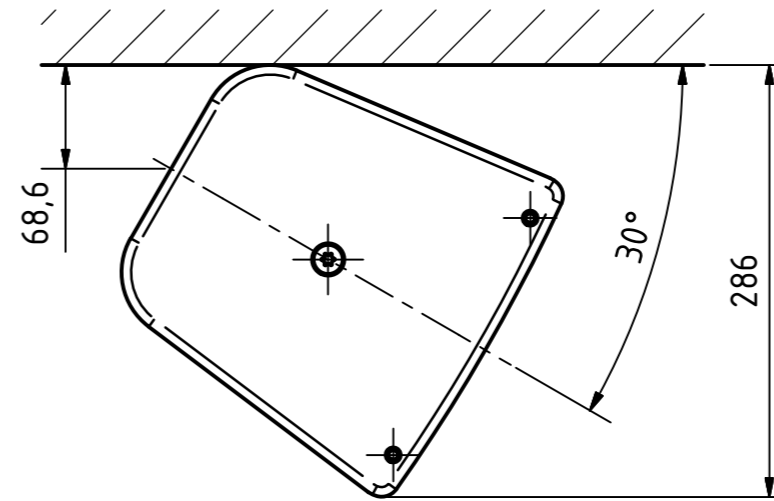


bottom view

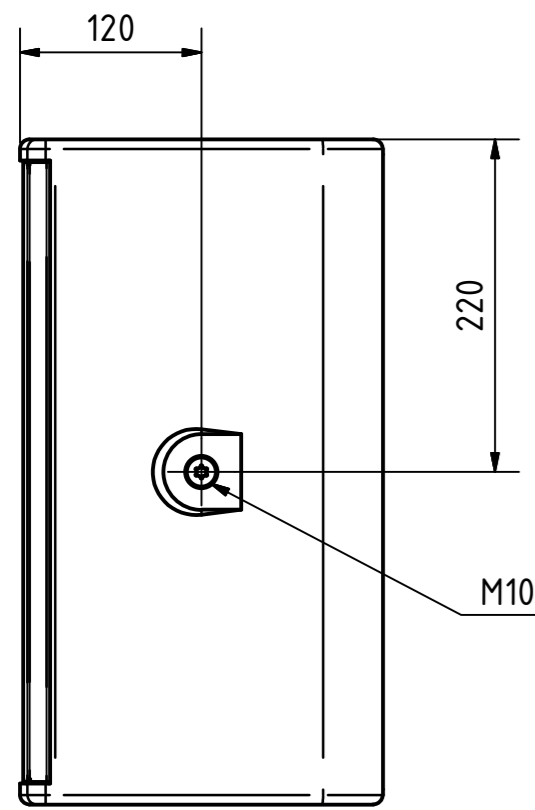
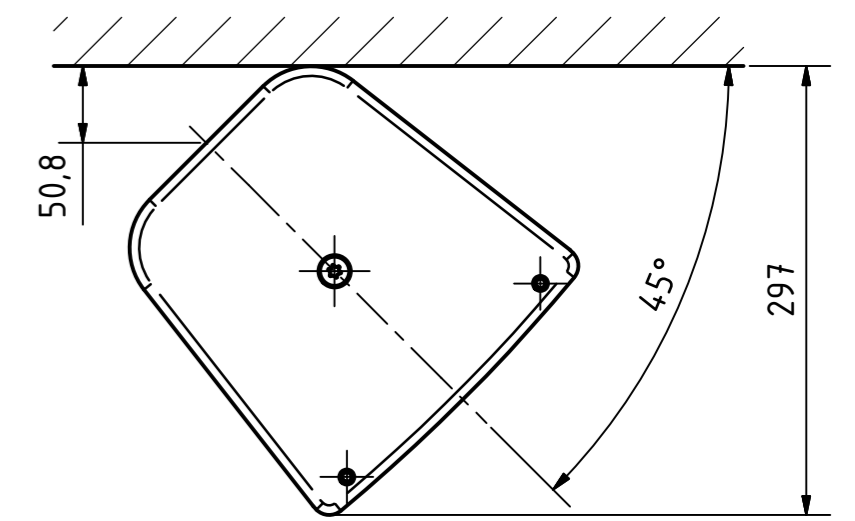
Limit dimensions at 15° downtilt



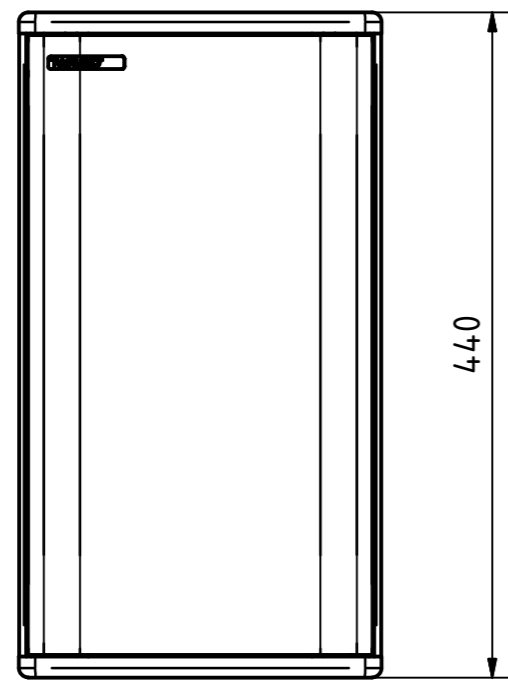
Limit dimensions at 30° downtilt



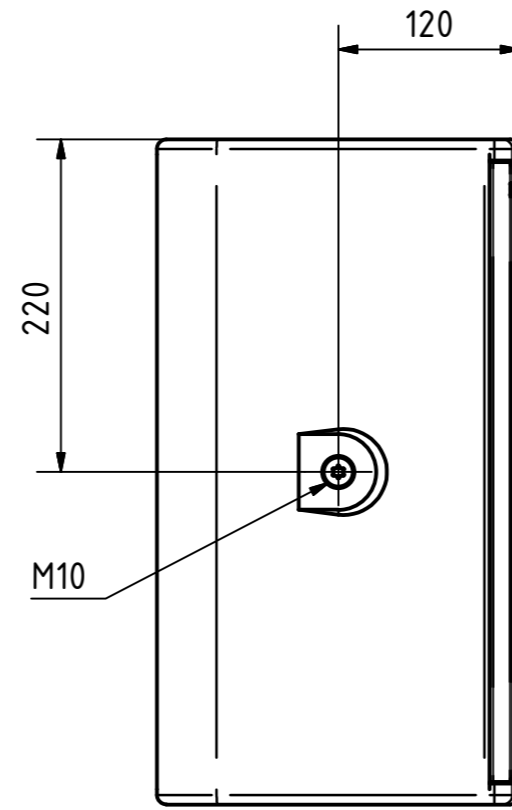
Limit dimensions at 45° downtilt



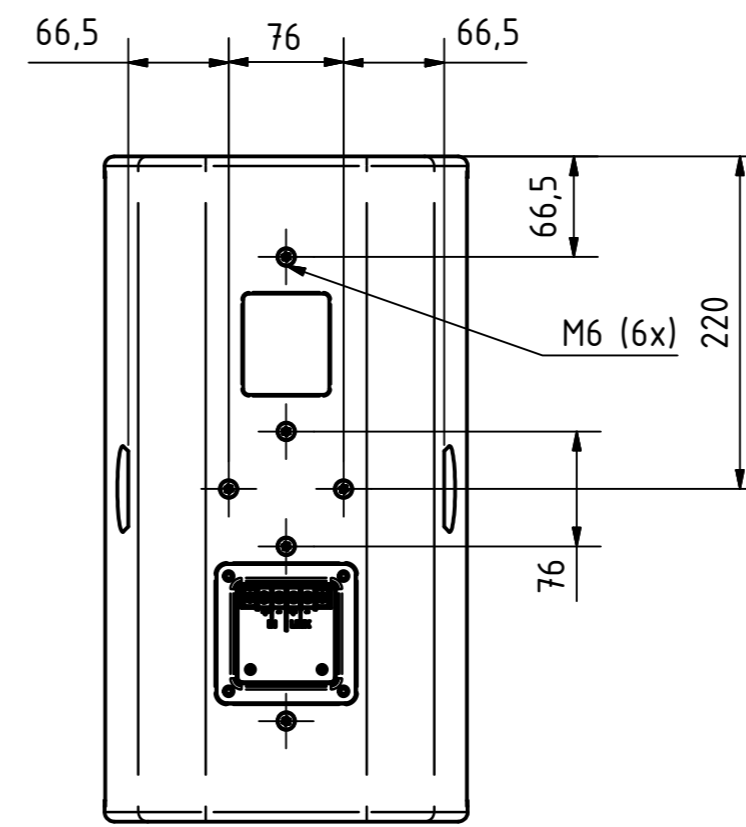
right view



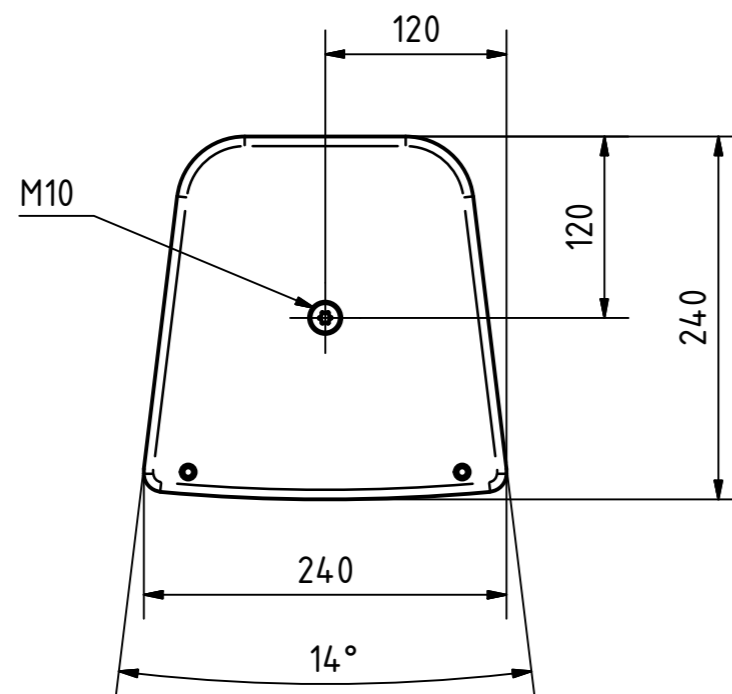
front view



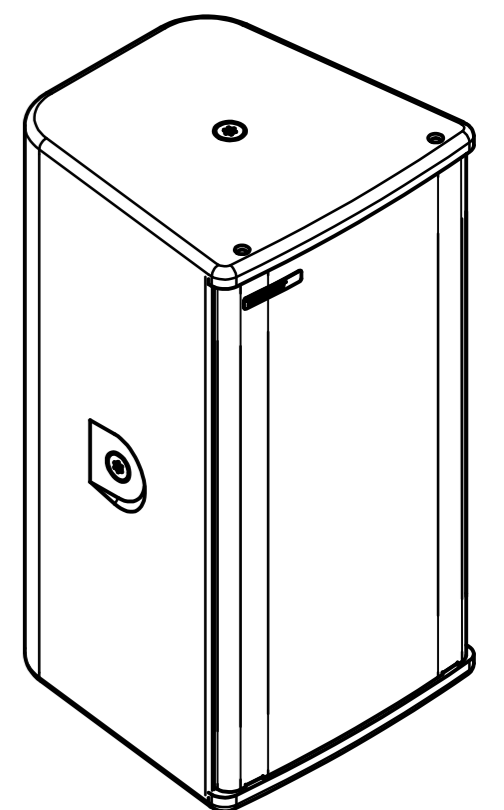
left view



rear view



top view



0		09.10.2018	Heike Konrad
rev. no.		date	modified by
revision process			
TWAUDIO		scale: 1:5 (1:10)	
Osterholzallee 140-2 71636 Ludwigsburg www.twaudio.de		weight: 10,3 kg	
All rights to this drawing reserved in accordance with ISO 16016. Copying and distribution by manufacturer's permission only.		document type: overview drawing	order number: 5235
general tolerance: ISO 2768-mK ISO 13920-BF ISO 9013-IIA/K according to ISO 8015		status type: released	type: M8i
edges according to ISO 13715 surfaces (Ra) array 2 array 3 DIN ISO 1302		date: 22.01.2018 name: Stefan Ullrich	name: Multifunctional speaker
		checked: 06.03.2018 name: Stefan Ullrich	drawing number: TWA-M8i-0001
		approved: 09.10.2018 name: Heike Konrad	revision no.: 0
		CAD: TW_AUDIO\CAD-Daten\Entwicklung\M8i\M8i_spl.sldasm	sheet: 1 1 Az