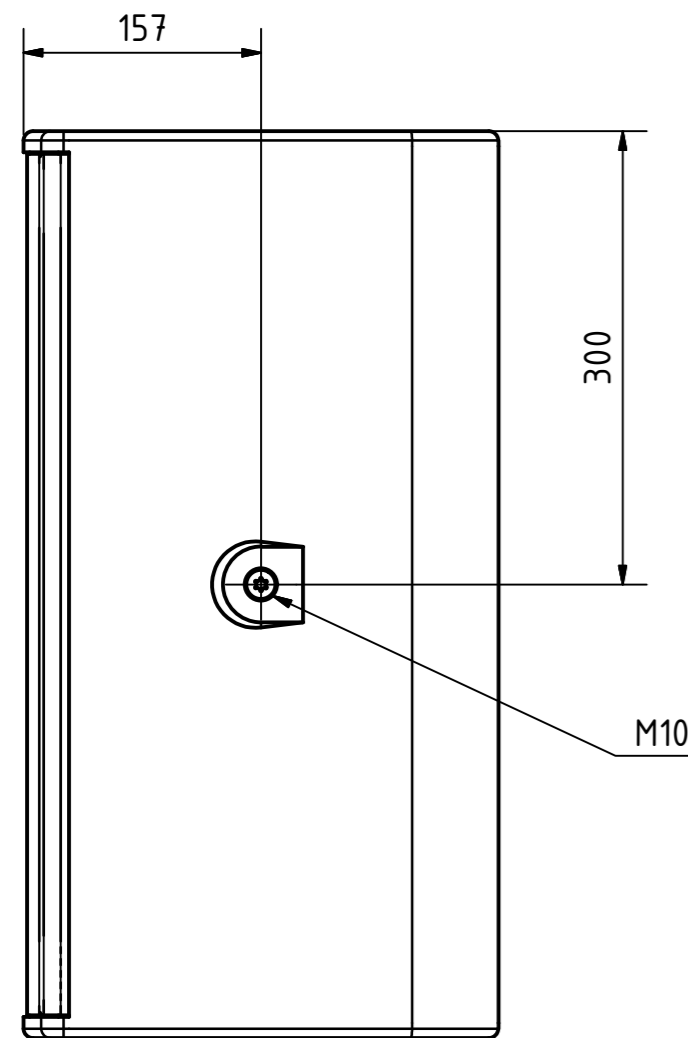
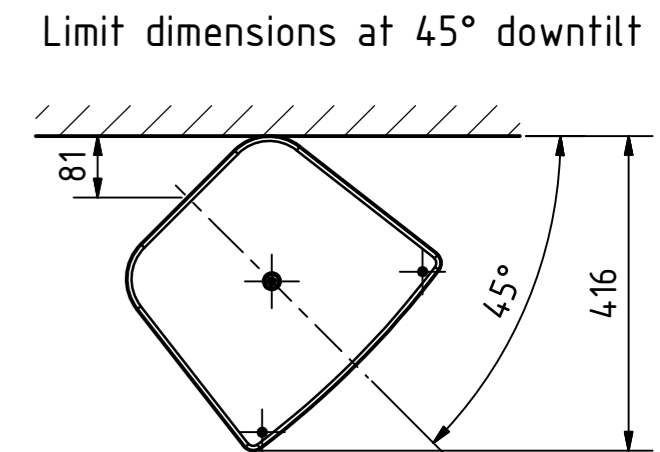
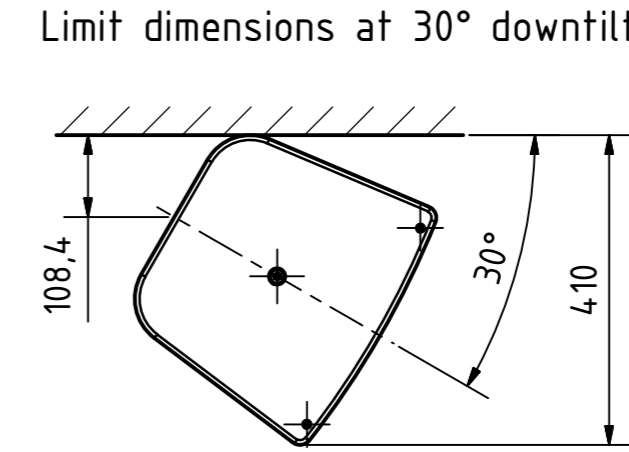
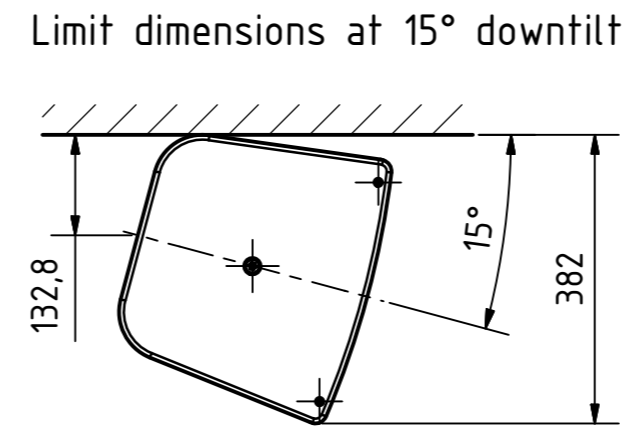
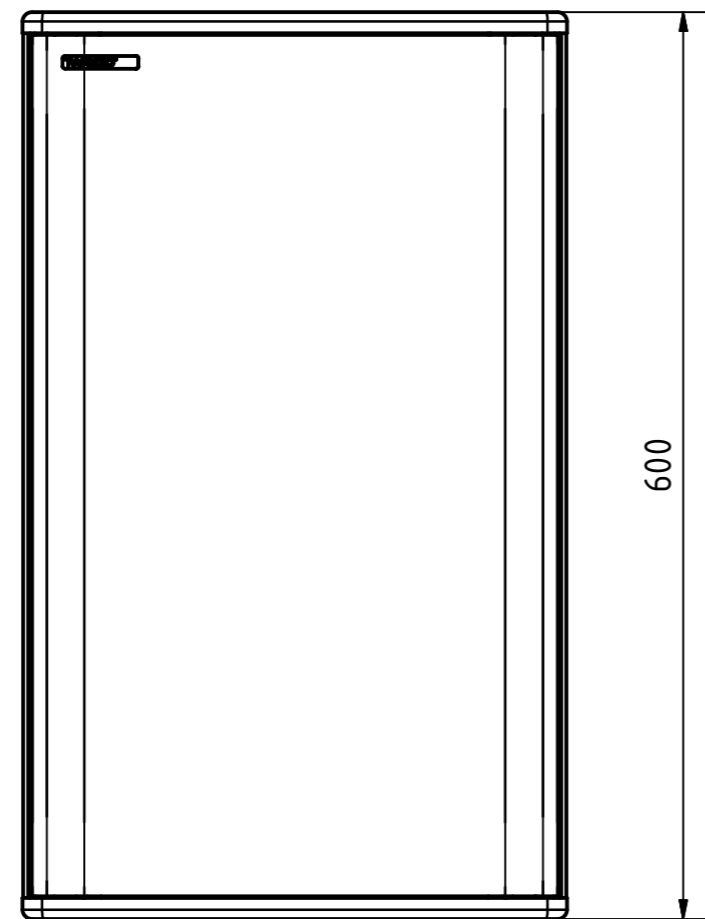


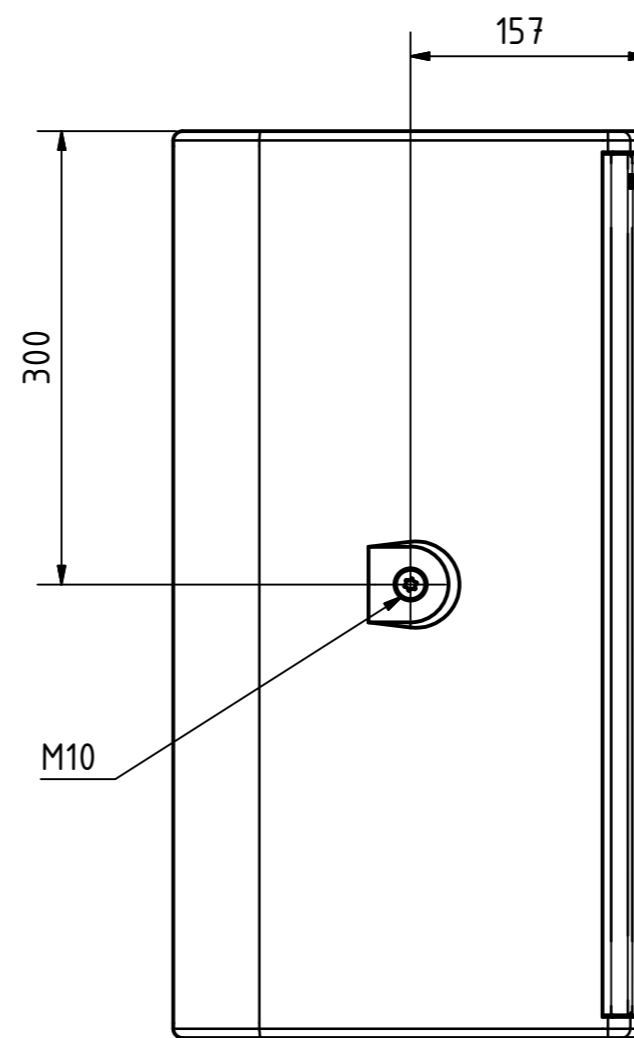
bottom view



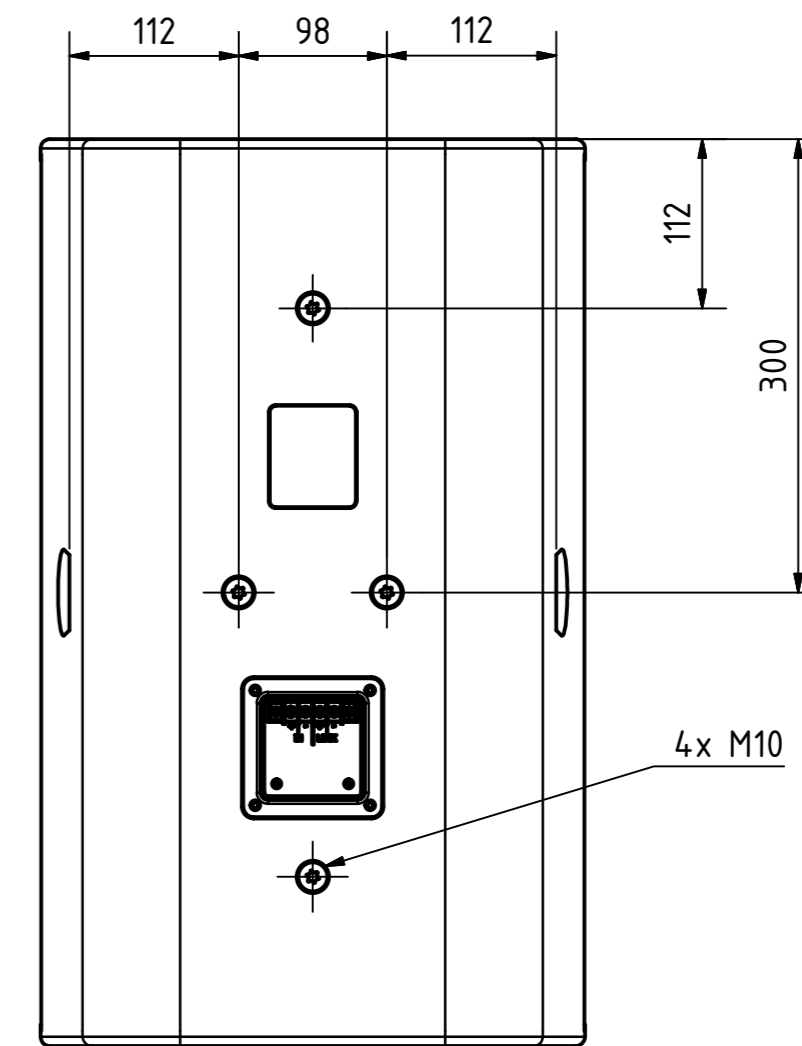
right view



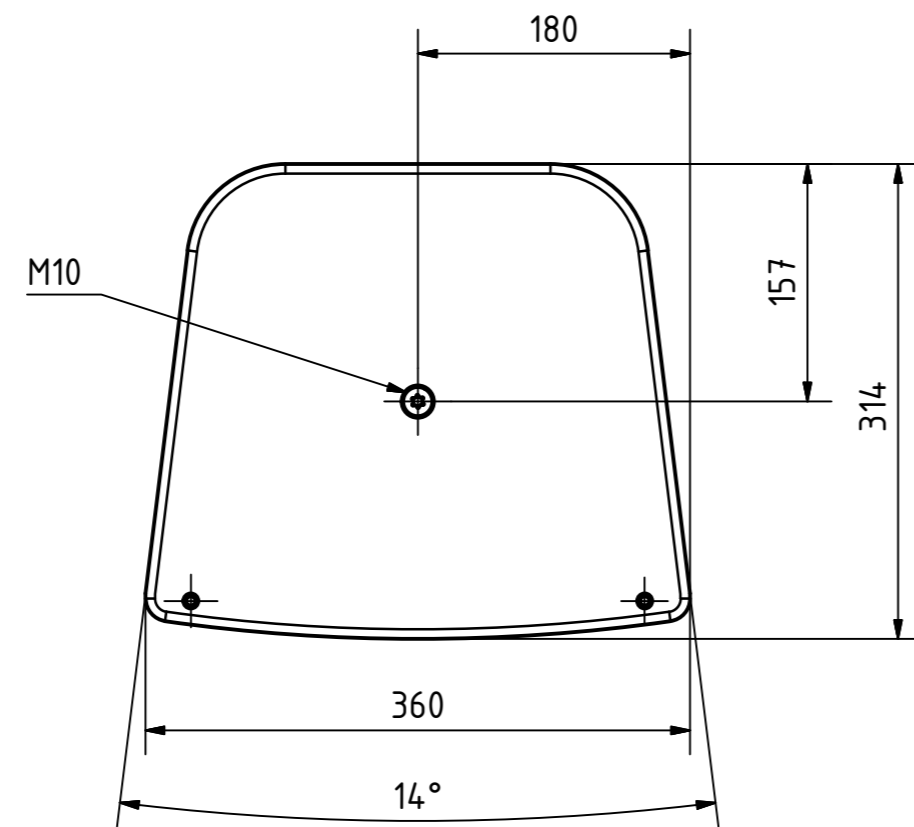
front view



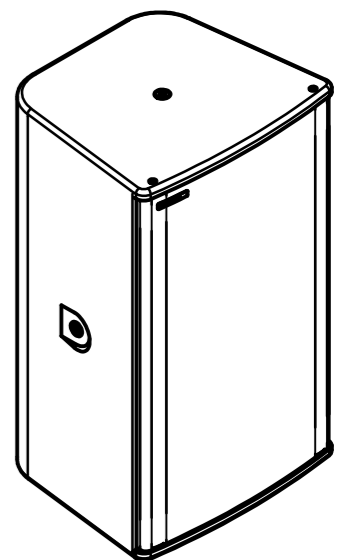
left view



rear view



top view



0		09.10.2018	Heike Konrad
Rev.	Beschreibung	Datum	Geändert von
REVISIONSVERLAUF			
<b>TWAUDIO</b>		scale:	
Osterholzallee 140-2 71636 Ludwigsburg www.twaudio.de		weight:	19,2 kg
All rights to this drawing reserved in accordance with ISO 16016. Copying and distribution by manufacturer's permission only.		document type:	overview drawing
general tolerance ISO 2768-mK ISO 13920-BF ISO 9013-IIA/K according to ISO 8015		status type:	released
edges according to ISO 13715 surfaces (Ra) array 2 array 3 DIN ISO 1302		order number:	5237
		type:	M12i
		date	name
		17.01.2018	Stefan Ullrich
		date	name
		09.10.2018	Heike Konrad
		checked:	
		approved:	09.10.2018 Heike Konrad
		drawing number:	TWA-M12i-0001
		revision no.:	0
		sheet:	1   1
		Az	