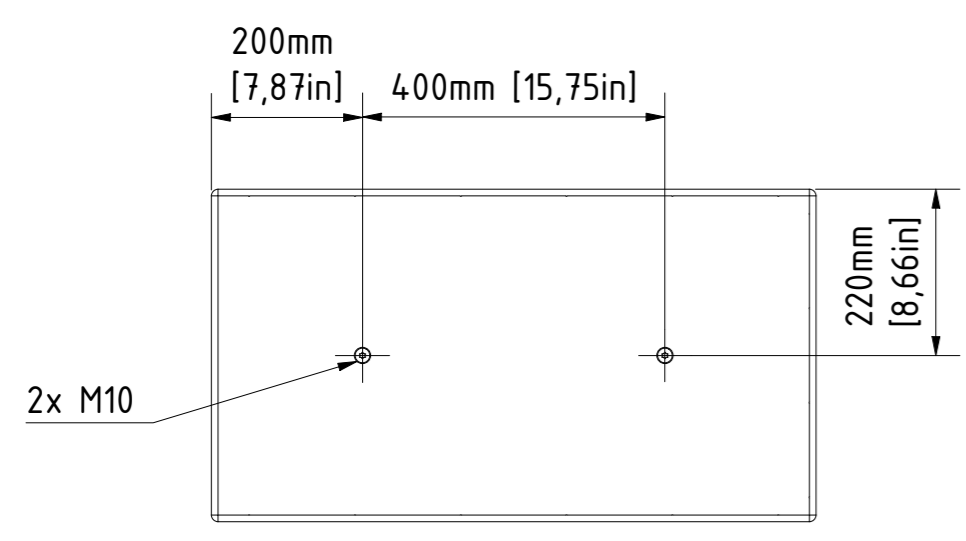
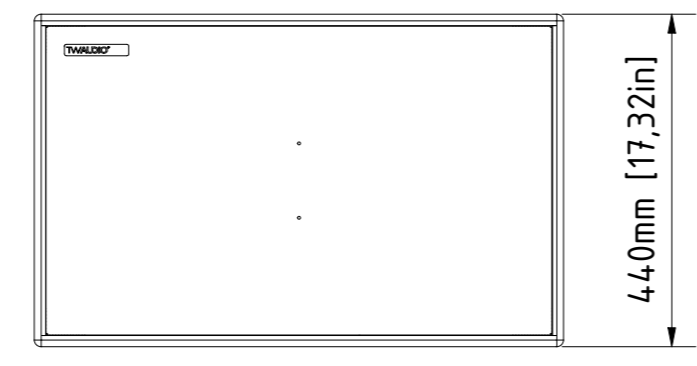


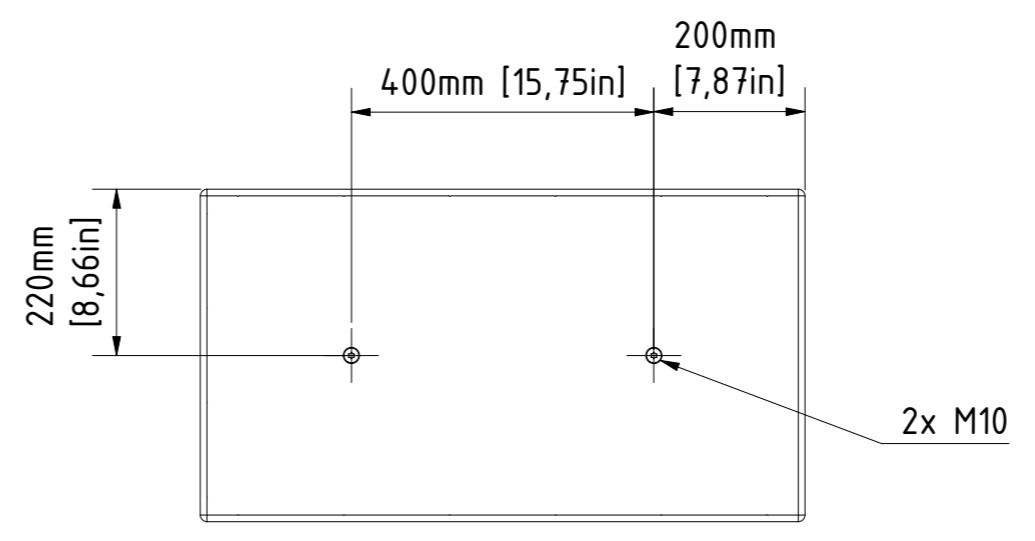
bottom view



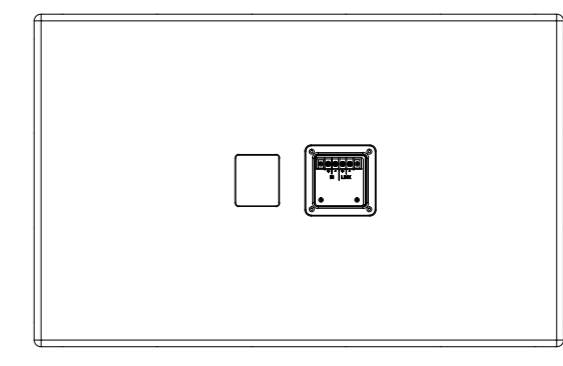
right view



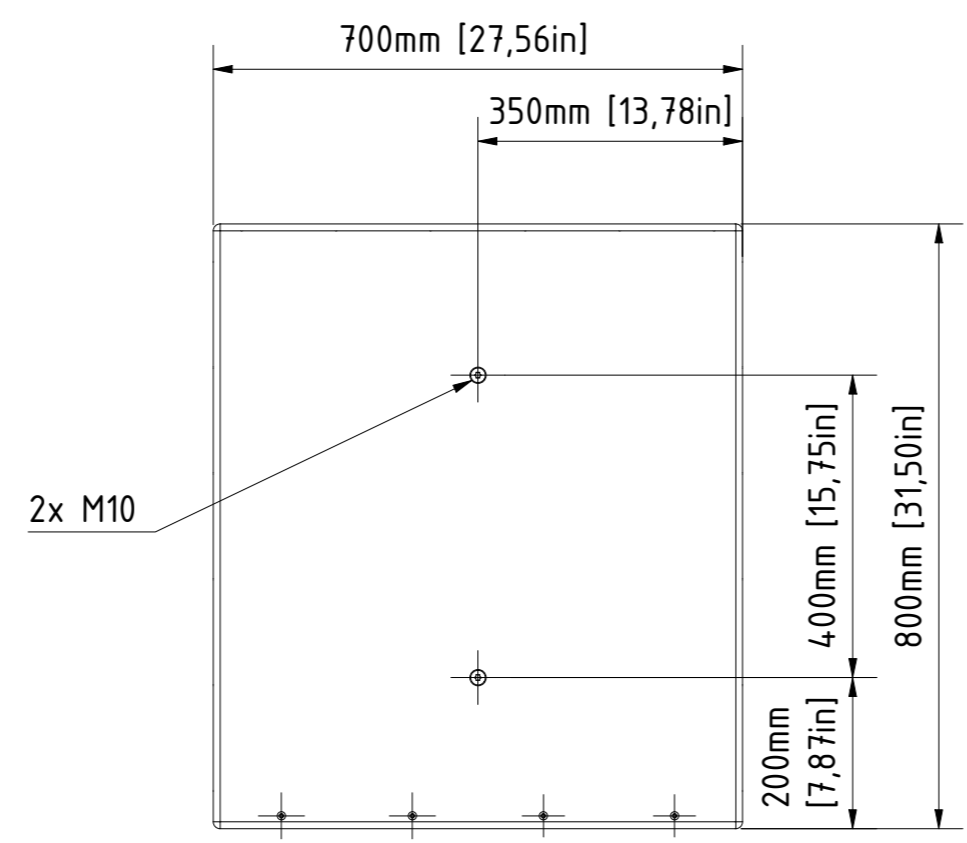
front view



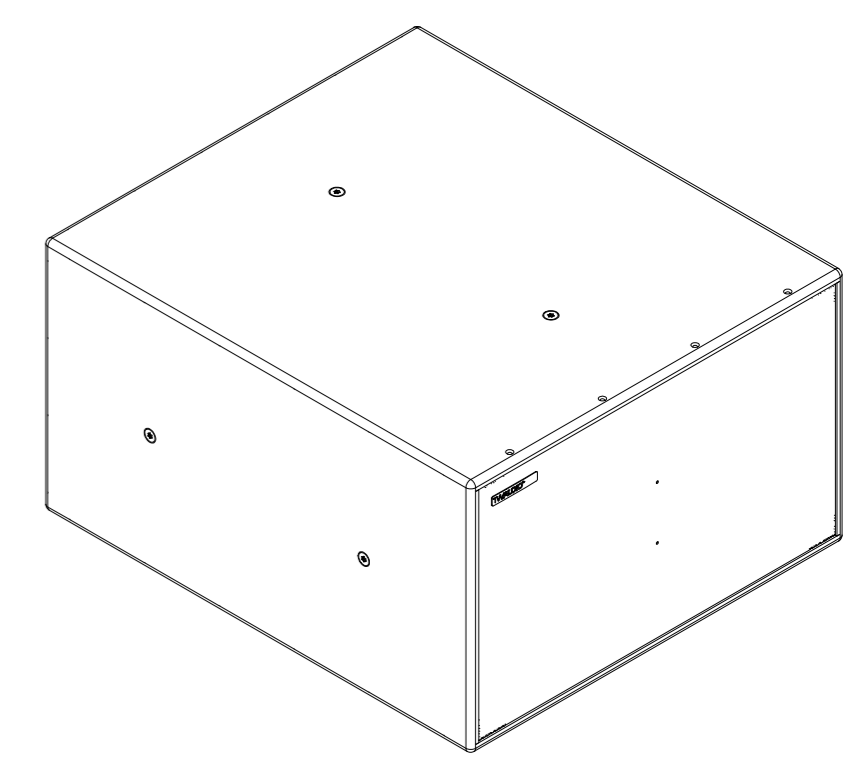
left view



rear view



top view



0		07.05.2019	Heike Konrad
rev. no.	description	date	modified by
revision process			
<b>TWAUDIO</b> Osterholzallee 140-2 71636 Ludwigsburg www.twaudio.de		scale: weight: 36,3 kg [81 lbs]	order number:
All rights to this drawing reserved in accordance with ISO 16016. Copying and distribution by manufacturer's permission only.		document type: <b>overview drawing</b>	status type: <b>released</b>
general tolerance ISO 2768-mK ISO 13920-BF ISO 9013-IIA/K according to ISO 8015		constructed: 07.12.2016 drawn: 30.10.2018 checked: approved: 07.05.2019	type: <b>M30i</b> drawing number: <b>TWA-B30i-0001</b>
edges according to ISO 13715 surfaces (Ra) array 2 array 3 DIN ISO 1302		date: 07.12.2016 name: Heike Konrad	revision no.: 0 sheet: 1 of 1 Az
<small>C:\CAD_TW_AUDIO\CAD-Daten\Entwicklung\B30i\B30i_kpl.dwg</small>			