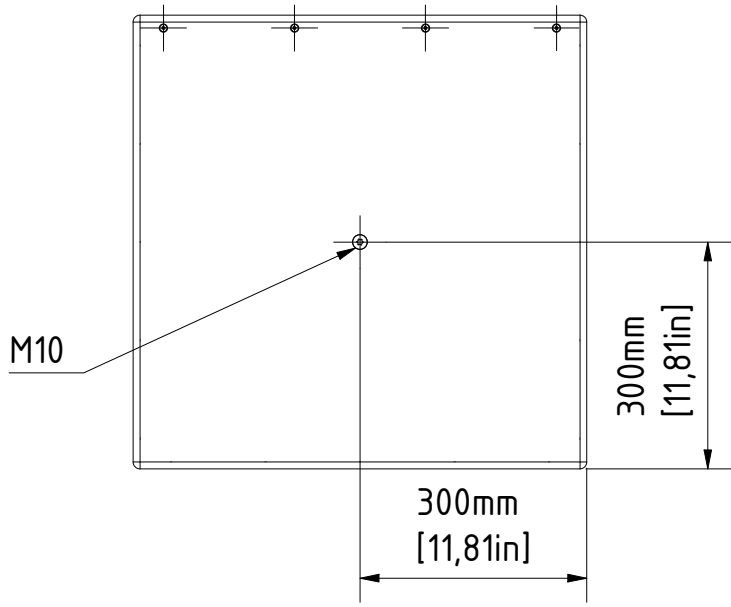
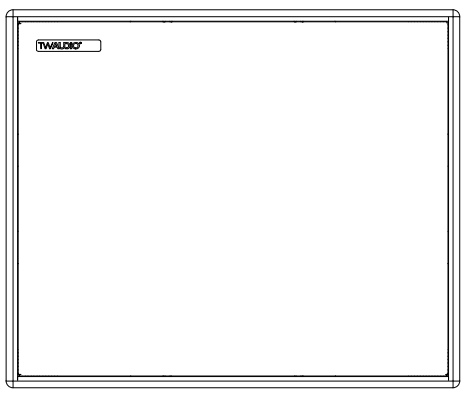


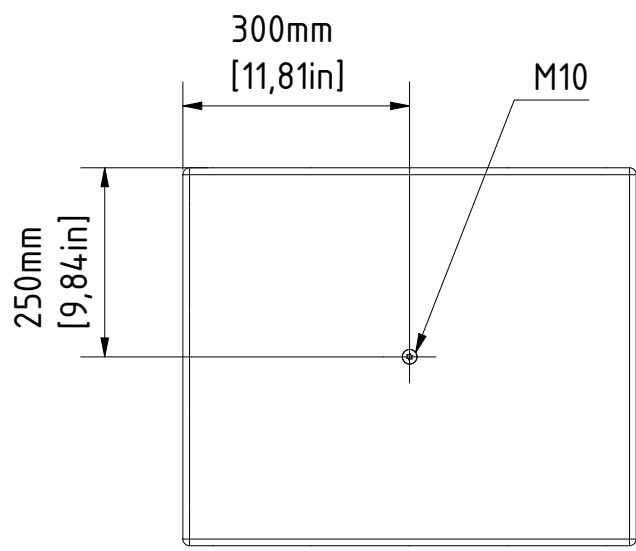
right view



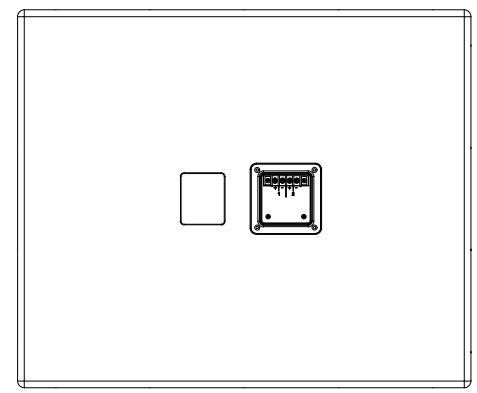
bottom view



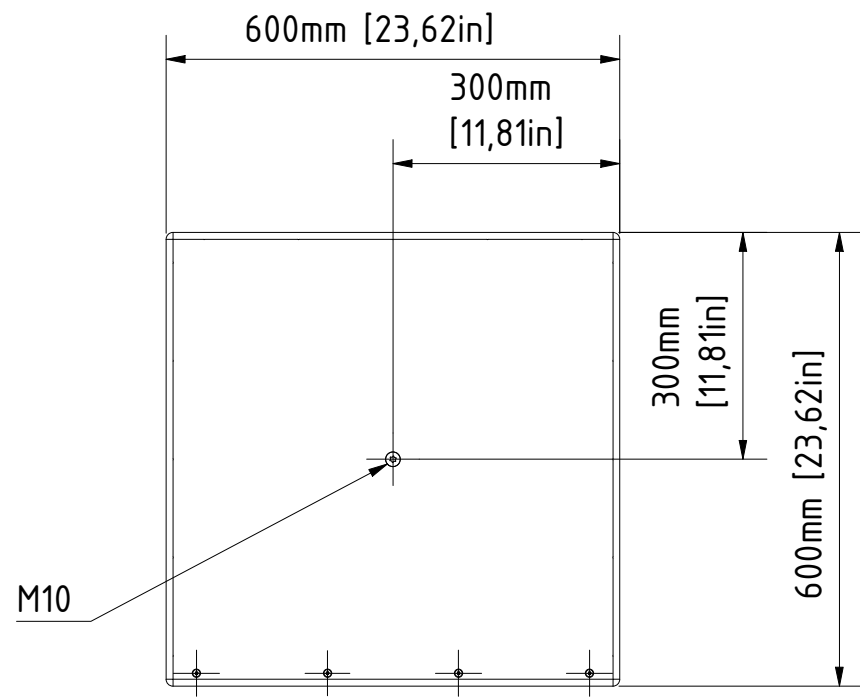
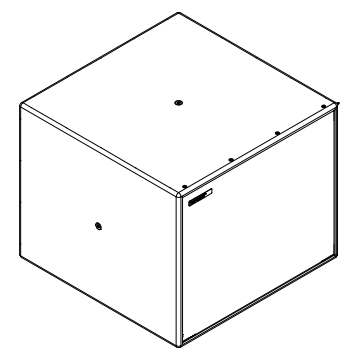
front view



left view



rear view



top view

0			07.05.2019	Heike Konrad
rev. no.		description	date	modified by
revision process				
TWAUDIO® Osterholzallee 140-2 71636 Ludwigsburg www.twaudio.de		scale:		
		weight:	34,0 kg [75 lbs]	
All rights to this drawing reserved in accordance with ISO 16016. Copying and distribution by manufacturer's permission only.		document type:	overview drawing	
		status type:	released	
general tolerance ISO 2768-mK ISO 13920-BF ISO 9013-IIA/K according to ISO 8015		edges according to ISO 13715		
		surfaces (Ra)		
array 2 array 3 DIN ISO 1302		order number:	4826	
		type:	B17i	
constructed:	12.04.2017	name	B. Letzgus	
drawn:	22.11.2017	name	Heike Konrad	
checked:		date	07.05.2019	
approved:	07.05.2019	name	Heike Konrad	
C:\CAD TW AUDIO\CAD-Daten\Entwicklung\B17i\B17_kpl.iam		drawing number:	TWA-B17i-0001	
		revision no.:	0	sheet: 1 1
				A3