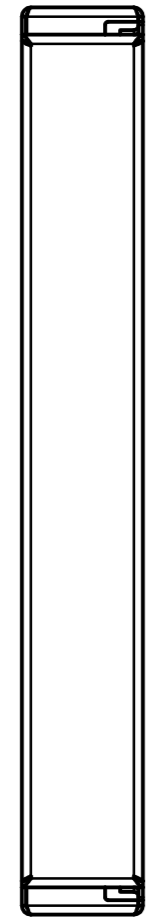
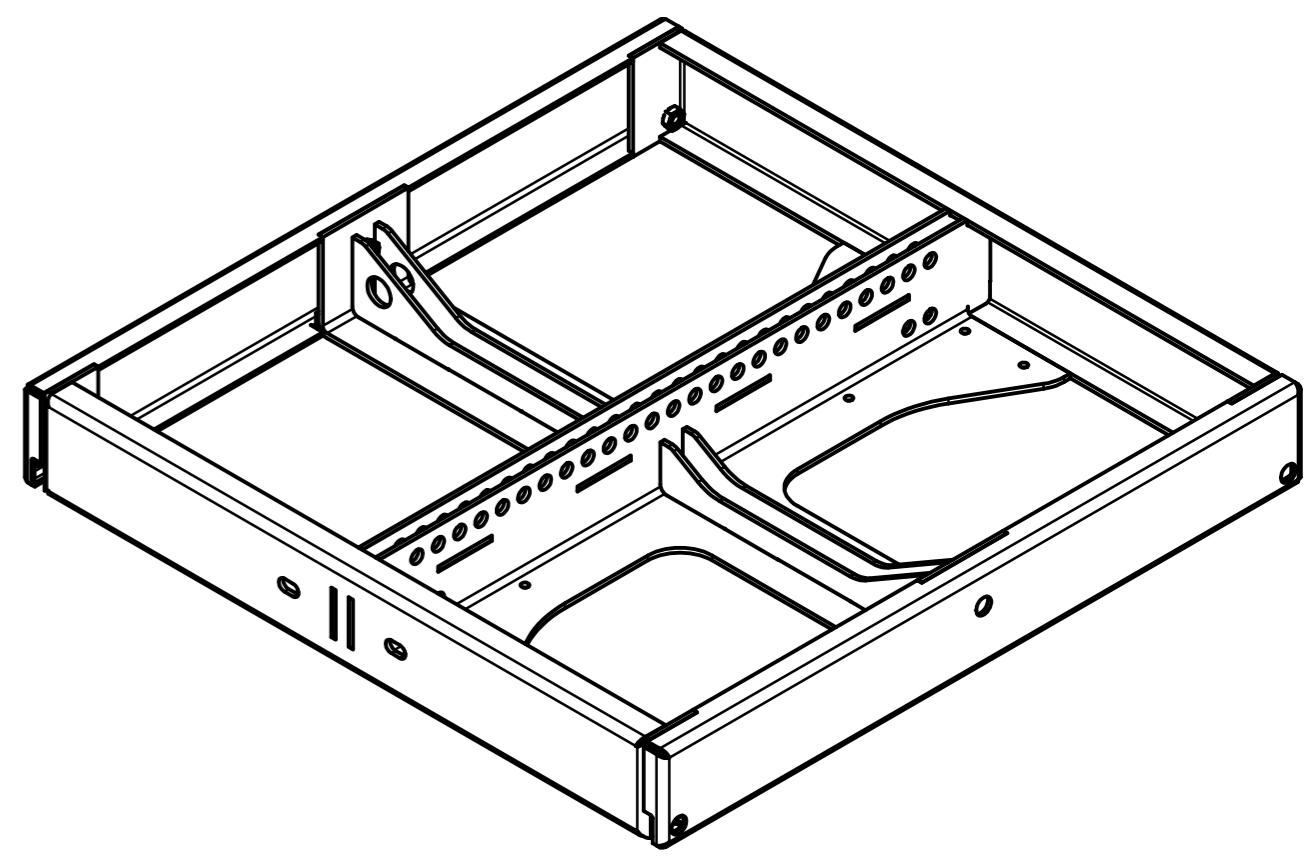
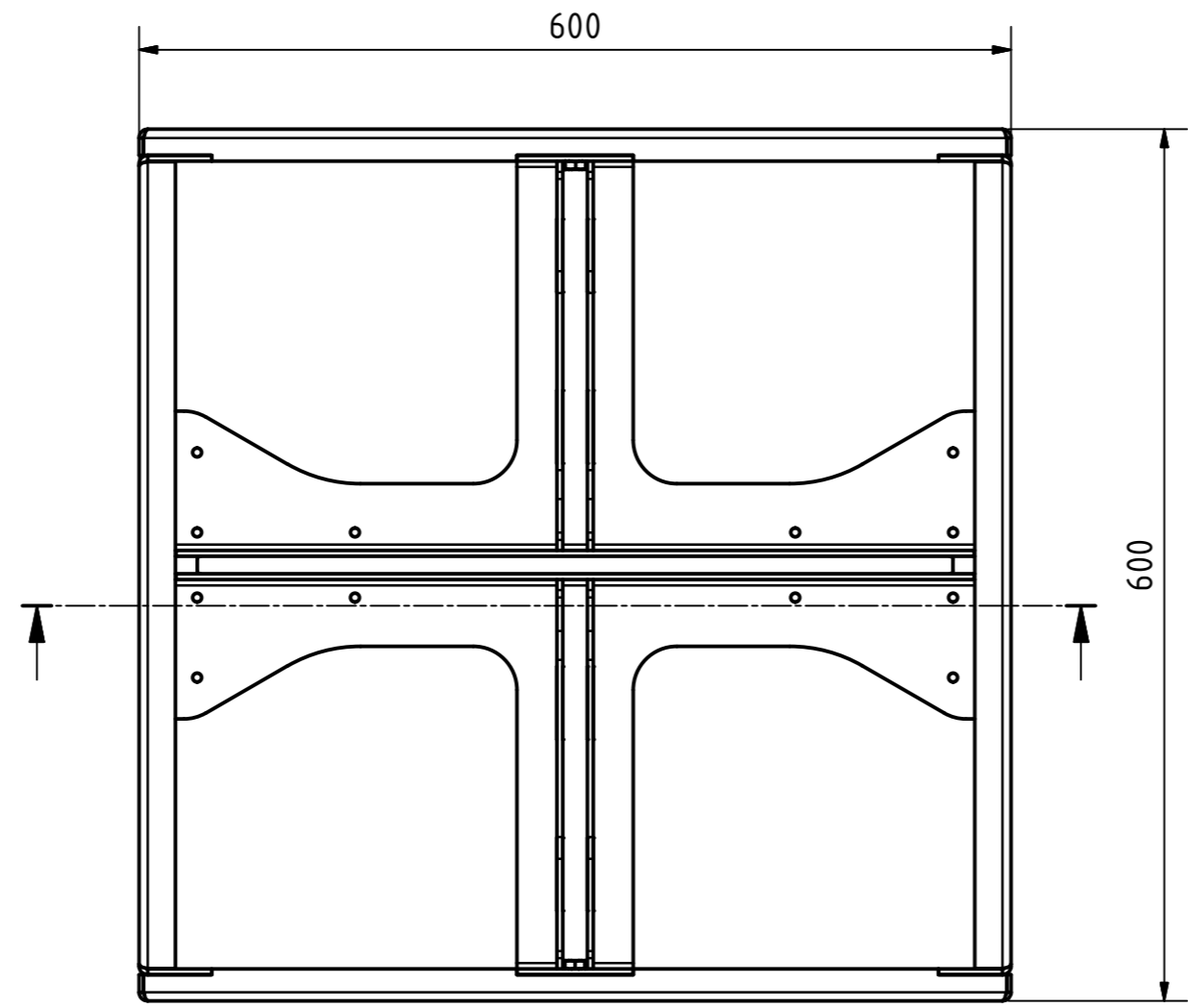


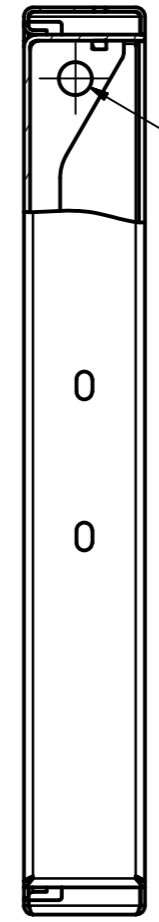
right view



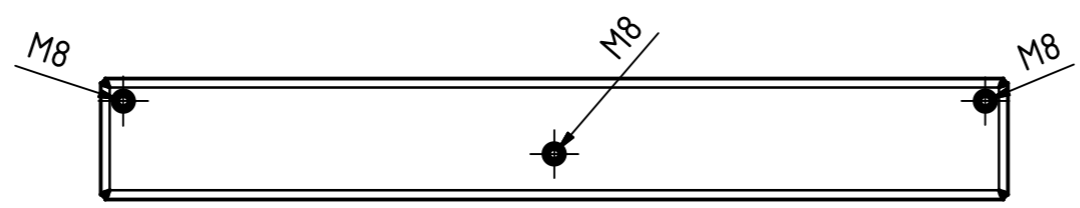
rear view



top view



front view



left view

0		06.11.2018	Heike Konrad
rev. no.		date	modified by
revision process			
TWAUDIO Osterholzallee 140-2 71636 Ludwigsburg www.twaudio.de	scale:		
	weight:	16,7 kg	
All rights to this drawing reserved in accordance with ISO 16016. Copying and distribution by manufacturer's permission only.	document type:	overview drawing	
	status type:	released	
	type:	VERA RF600i	
general tolerance ISO 2768-mK ISO 13920-BF ISO 9013-IIA/K according to ISO 8015	edges according to ISO 13715	date	name
	surfaces (Ra) array 2 array 3 according to ISO 1302	constructed	06.11.2018 Heike Konrad
	checked:	approved	06.11.2018 Heike Konrad
	drawing number:	TWA-RF600i-0001	
	revision no.:	0	sheet: 1 1
			Az