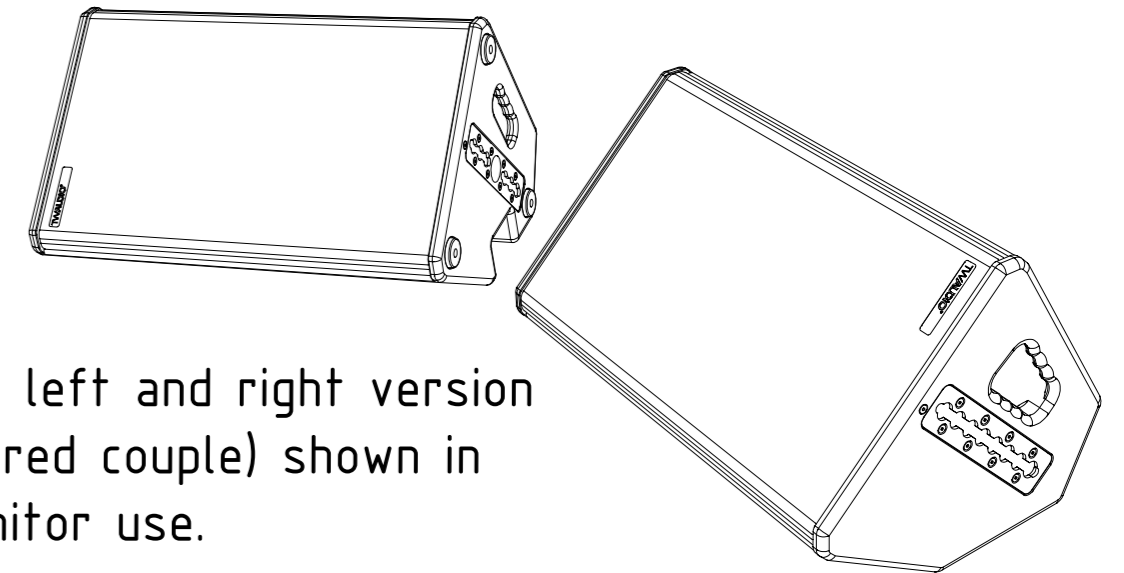
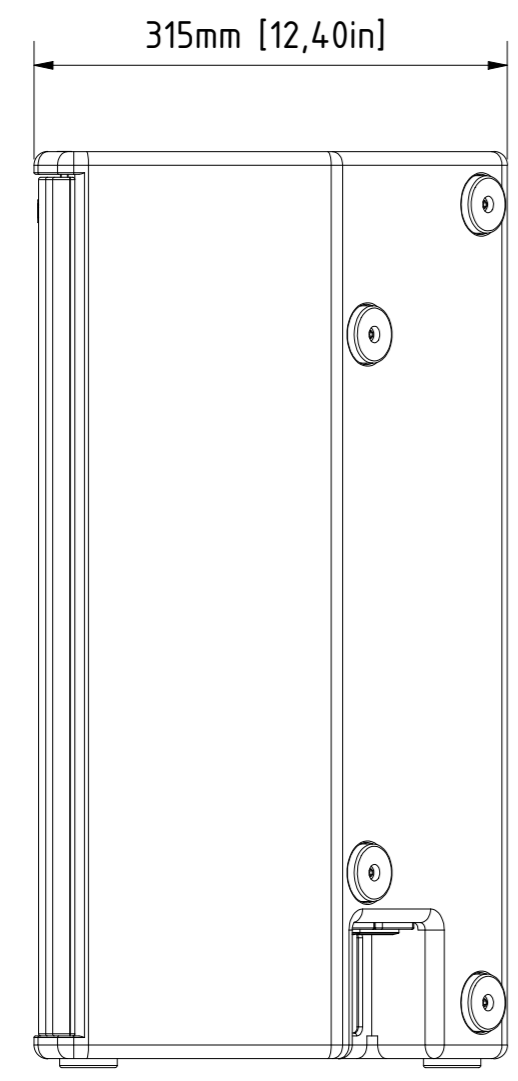


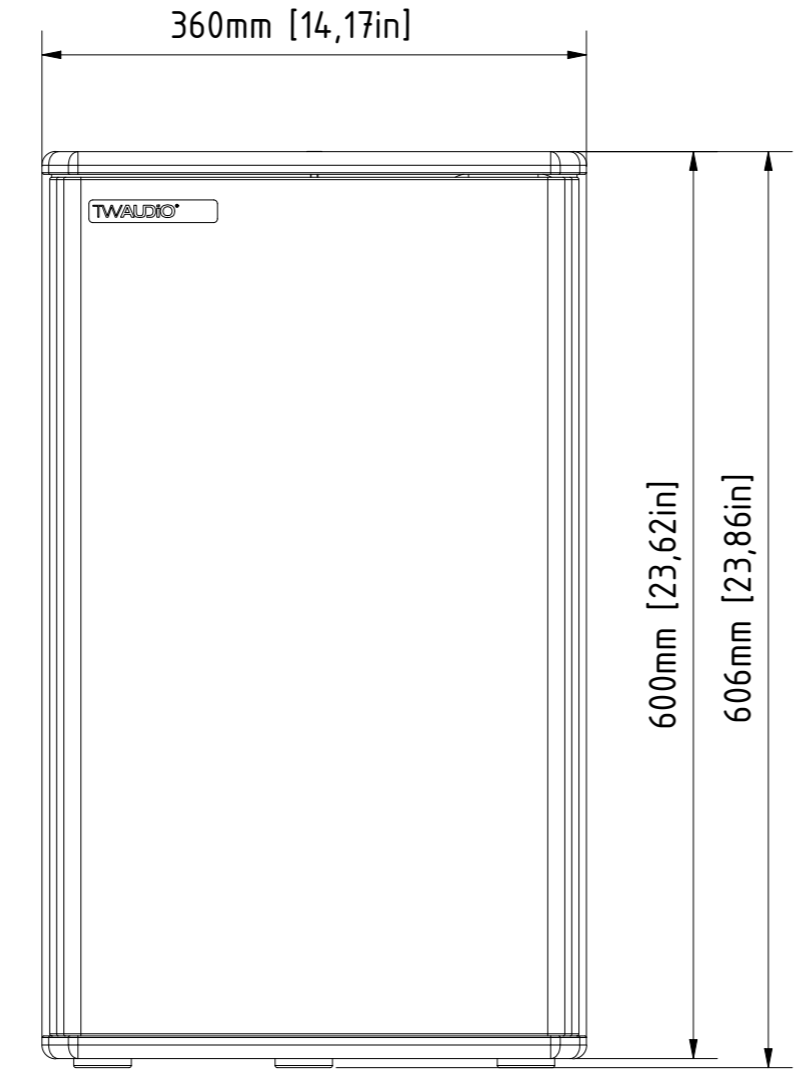
bottom view



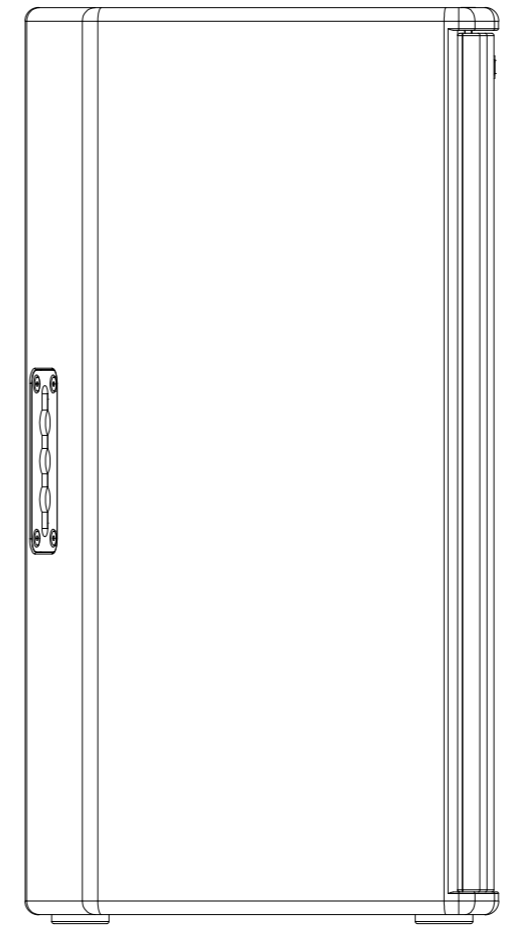
M12 left and right version (paired couple) shown in monitor use.



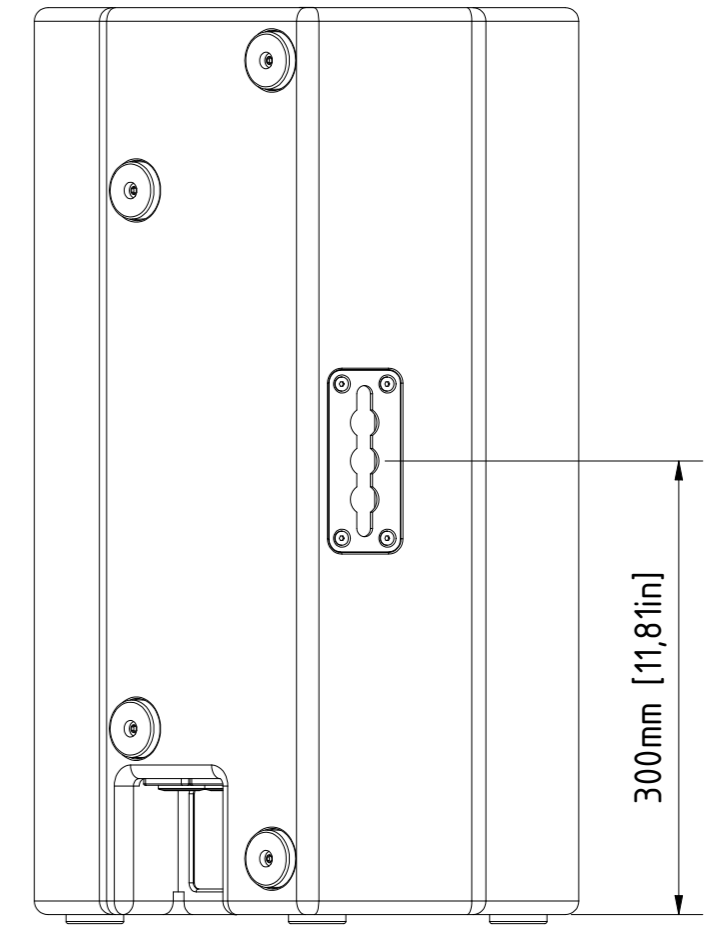
right view



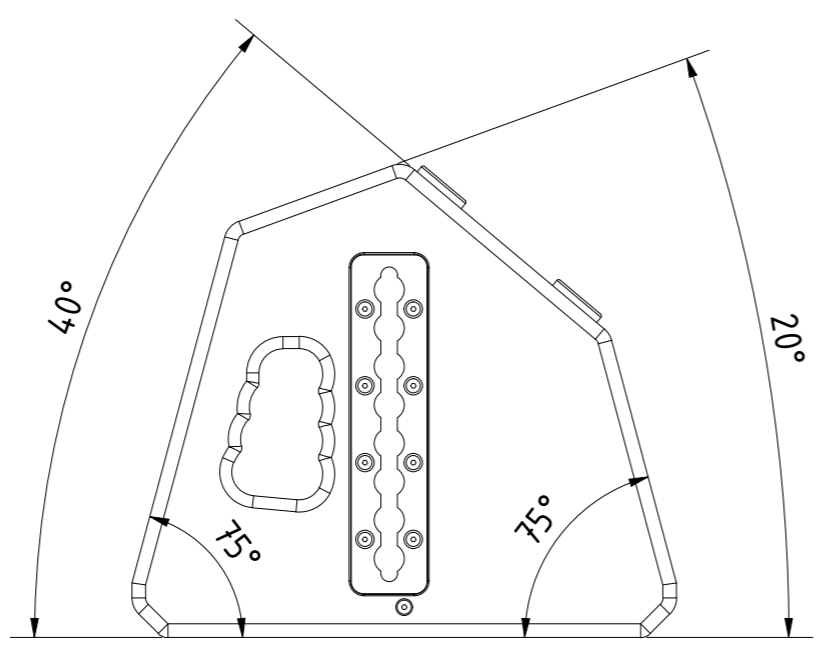
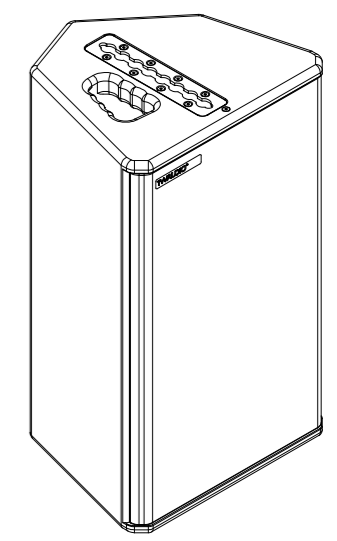
front view



left view



rear view



top view

0			06.05.2019	Heike Konrad
rev. no.		description	date	modified by
revision process				
TWAUDIO® Osterholzallee 140-2 71636 Ludwigsburg www.twaudio.de		scale: weight: 20,5 kg [46 lbs]	order number: M12	
All rights to this drawing reserved in accordance with ISO 16016. Copying and distribution by manufacturer's permission only.		document type: overview drawing	type: M12	
general tolerance ISO 2768-mK ISO 13920-BF ISO 9013-IIA/K according to ISO 8015		status type: released	date: 06.11.2009 name: Stefan Ullrich	
edges according to ISO 13715 surfaces (Ra) array 2 array 3 DIN ISO 1302		constructed: 06.11.2009 checked: 06.11.2009 approved: 06.05.2019	drawing number: TWA-M12-0001	
		checked: 06.05.2019 approved: 06.05.2019	revision no.: 0	sheet: 1 of: 1 Az
C:\CAD\TWAUDIO\CAD-Garten\Produkte\M12\M12.dwg				