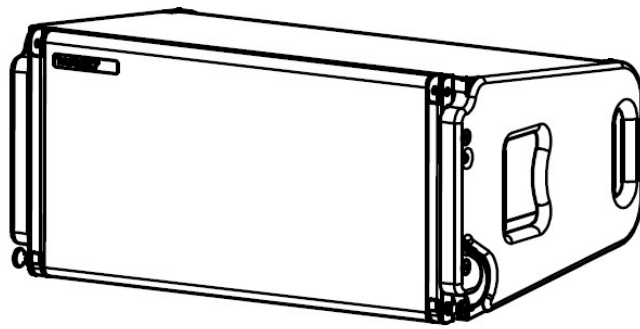


VERA20

Operation manual



Introduction

Thank you for choosing a high-quality product “MADE IN GERMANY” from TW AUDiO.

The VERA20 loudspeaker is equipped with two 10” chassis for the low-mid frequencies and a waveguide with a 1.4” mid-high compression driver. Compared with typical double 8” systems, the VERA20’s two 10” drivers are capable of reproducing up to 6 dB more output in the low-mid frequency range with lower distortion.

Thanks to the loudspeaker’s width (only 60 cm / 23.62 inches) and height (28 cm / 11.02 inches), vertical arrays of up to 24 elements may be constructed.

The newly developed 1.4” compression driver and waveguide provides smooth and accurate midrange performance for natural vocal and music reproduction. The low frequency crossover point around 1 kHz guarantees precise and uniform coverage even in the sensitive transition range. The extraordinarily fast transient response ensures that high frequency reproduction is detailed and crisp.

The VERA20 implements an outstandingly innovative rigging hardware, allowing straightforward, fast and cost-efficient setup and dismounting by just one technician. A special feature is logarithmic scaling of the intermediate angles between angles. This allows for angle adjustment of less than one degree to achieve more accurate directivity of upper array elements over longer distances.

If you lend your product to another party, inform that party of the safety-related operating procedures and hand over this operating manual. If you require additional copies of this manual, you can obtain them free of charge from TW AUDiO or download them from: www.twaudio.de

Notes in the user manual

Strictly adhere to the instructions contained in this operating manual that are marked as follows:



This symbol in combination with the signal word “Warning” identifies a potentially hazardous situation. Failure to comply with this safety instruction can lead to serious injury or even death.



This symbol in combination with the signal word “Warning” identifies a potentially hazardous situation for persons with pacemakers. Failure to comply with this safety instruction can lead to serious injury or even death.



This symbol in combination with the signal word “Caution” identifies a potentially hazardous situation. Failure to comply with this safety instruction can lead to light or moderate injury.



This symbol in combination with the signal word “Note” identifies a potentially hazardous situation. Failure to comply with this safety instruction can lead to product damage.



This symbol in combination with the signal word “Tip” identifies additional information or notes that will simplify working with TW AUDiO products on the basis of practical experience.

**Read manual
before use!**

Before using the device, carefully read the operating manual and keep it with the VERA20 loudspeaker.

Notes on the products

General information

Operation manual: OM VERA20
Version 1.1 en, 08/2018
© by TW AUDiO 2018; all rights reserved.

All information contained in this operating manual was correct to the best of our knowledge at the time of printing.

Quality warranties or assurance of suitability for a certain type of use based on the technical specifications, dimensions and weights are not granted by TW AUDiO.

TW AUDiO also shall not assume liability for any secondary damage (property damage and/or personal injury) nor for the failure to comply with this operating manual!

TW AUDiO reserves the right to update this document based on recent developments.

TW AUDiO GmbH
Osterholzallee 140-1
71636 Ludwigsburg, Germany

Phone: +49 71 41 - 48 89 89 0
Fax: +49 71 41 - 48 89 89 99

Content

1. Safety Intended use	5
2. Overview.....	7
2.1. Components	7
2.2. VERA20 rear rigging.....	8
2.3. Variants – Horn flanges horizontal coverage 80° / 120°	8
3. Technical specifications.....	9
3.1. Data Sheet	9
3.2. Connection Diagram.....	9
4. Setup.....	10
4.1. VERA20 Setup	10
4.2. Rigging VERA20	10
4.3. Exchanging the horn flanges.....	11
4.4. Operation.....	11
4.5. Connecting cables.....	12
5. Transport and Storage.....	13
6. EC Declaration of Conformity	14
7. Disposal.....	15

1. Safety | Intended use

Please adhere to the following safety instructions to avoid risks when operating loudspeakers.

The VERA20 loudspeaker was developed for professional use in sound systems. The loudspeaker may only be used by trained and qualified personnel.

Note the operating modes described in this operating manual. Other uses are not permissible.

Damage caused by improper use is not covered by TW AUDiO.



WARNING

Loudspeakers generate an electromagnetic field. Persons with pacemakers are not permitted to remain in the immediate vicinity of loudspeakers as the electromagnetic fields can cause pacemakers to malfunction.



WARNING

When using and assembling TW AUDiO loudspeakers, only use materials specified by TW AUDiO. These tasks must be performed by qualified personnel. Adhere to the applicable safety regulations.



NOTE

When working with heavy loads over 20 kg [44,09 lbs.], use suitable aids (dollies, hoisting slings, etc.). Multiple persons may be required depending on the situation.

Ensure that the units are in a stable position and are firmly attached. A falling loudspeaker can result in serious personal injury and property damage.

When setting up loudspeakers, ensure that they are not exposed to the following ambient conditions:

- direct sunlight
- Humidity
- Jolting
- Dust



WARNING

Keep away from the immediate vicinity of loudspeakers that are operated at high sound pressure levels. These loudspeaker systems are capable of endangering your health. Sound levels beginning as low as approximately 90 dB SPL can lead to long-term hearing impairment.



NOTE

Avoid:

- Feedback
- Distorted signals (clipping)
- Peaks resulting from switching on devices, plugging in devices or unplugging devices during operation.

Such signals can lead to loudspeaker overload.



WARNING

Ensure that the loudspeaker is not exposed to permanent thermal overloads. Thermal overloads may cause a fire and result in serious personal injury and property damage.

Note that TW AUDiO does not provide a warranty for damage that can be attributed to this type of overload and therefore cannot be held liable for any secondary damage.



NOTE

A permanent magnetic field is present in the immediate vicinity of loudspeakers. Ensure that objects which react sensitively to magnetic fields are not located in the immediate vicinity of the loudspeaker. In particular, this applies to magnetic storage media, magnetic stripe cards such as debit cards and CRT displays. A distance of approximately one meter is sufficient to avoid damage.



NOTE

Check loudspeakers and accessory parts regularly for visible wear. This is essential to ensure continuing fault-free operation. Worn parts should be replaced immediately. Spare parts are available from TW AUDiO.

2. Overview

2.1. Components

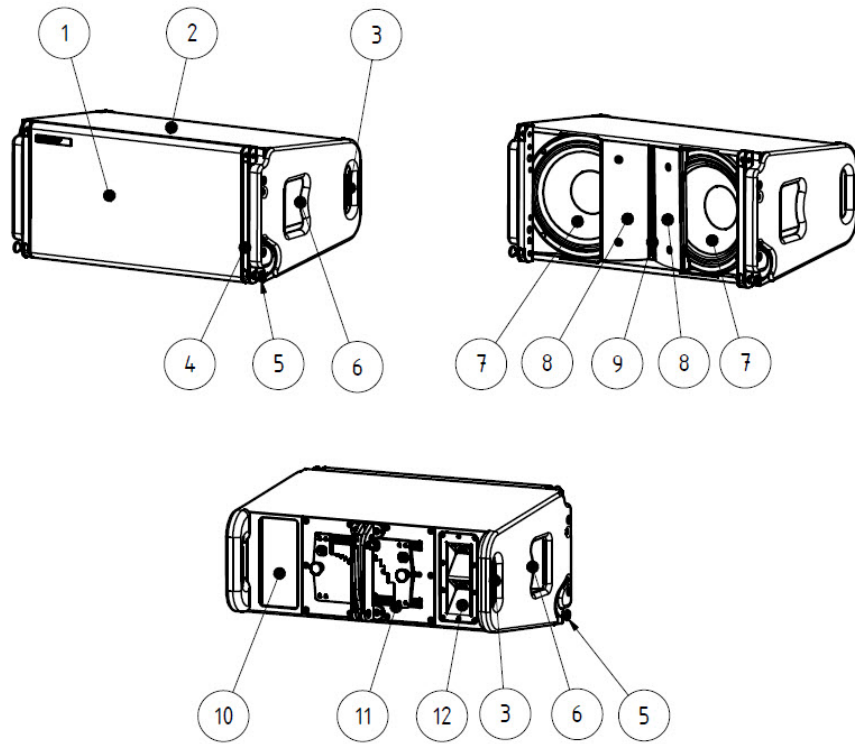


Figure 2.1 - Overview

1. Front grill
2. Multiplex enclosure – polyurea surface finish
3. Carrying handle (rear, left and right)
4. Rigging track (2 pieces)
5. Locking pins (2 pieces)
6. Carrying handles (left and right)
7. 10" cone driver
8. Horn flanges
9. Waveguide with 1.4" compression driver
10. Type label
11. VERA20 rear rigging (see chapter 2.2)
12. Connection panel with one SpeakON® socket each, top and bottom

2.2. VERA20 rear rigging

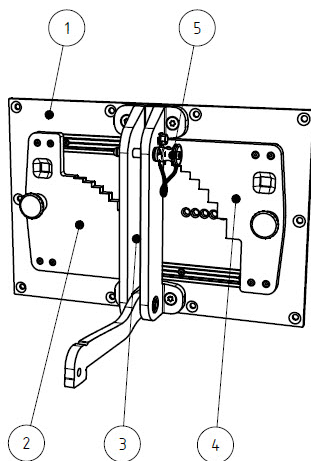


Figure 2.2 – rear rigging

1. Mounting plate with rails
2. Left slider with locking pin
3. Main carrier with hock and spring mechanism
4. Right Slider with locking pin
5. Quick-lock pin

2.3. Variants – Horn flanges horizontal coverage 80° / 120°

The VERA20 loudspeaker can optionally be equipped with 80° or 120° horn flanges. The angle specification refers to horizontal coverage. Check the rear rigging to identify the VERA20 variant.



The factory installed horn flange type is marked on the VERA20's rear rigging. Depending on your application, it may be advantageous to change the horn flange. In this case, the identification mark on the rear rigging should also be changed. The factory marking can be removed using acetone.

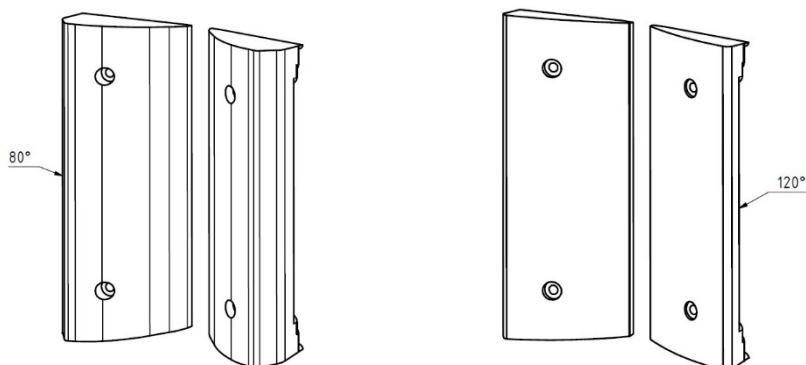


Figure 2.3 – VERA20 horn flange variants

3. Technical specifications

3.1. Data Sheet

	Variant	
	VERA20-80	VERA20-120
Drivers	2 x 10" LF / 1 x 1.4" HF	
Frequency response	67 to 18000 Hz	
Power handling, program / Peak	1000W / 2000 W	
Impedance	8Ω	
Coverage (h x v)	80° x 12°	120° x 12°
Max. SPL / 1 m	138 dB	
Dimensions (h x w x d)	280 x 600 x 400 mm (11.02 x 23.62 x 15,75 inches)	
Weight	24.0 kg (13.67 lbs.)	
Surface	Polyurea coating	

3.2. Connection Diagram

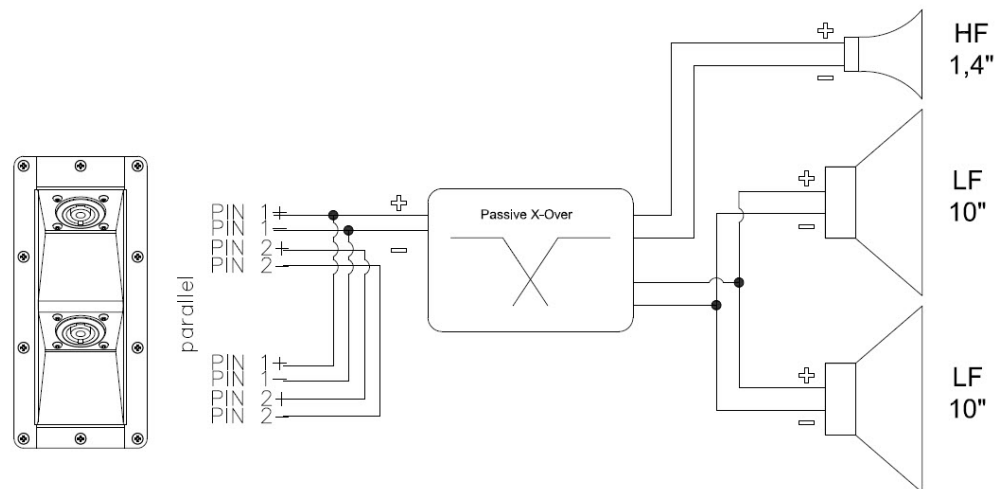


Figure 3.2 - Connection diagram

4. Setup

4.1. VERA20 Setup

The VERA20 speaker has been designed for horizontal operation in stacked and flown vertical arrays. TW AUDiO offers various accessories for this application, such as VERA RF600, SFV20, GSP20, etc.



Make sure the speakers are securely fastened to prevent personal injury and property damage. Secure stacked loudspeakers properly so that they can be tilted by 10° in any direction without toppling.



TW AUDiO recommends using only the accessories specified by TW AUDiO for securing and mounting loudspeakers.

4.2. Rigging VERA20

VERA20 series line arrays can include VERA20 and/or VERA S32 loudspeakers.



To connect speakers to each other, use the front and rear rigging tracks on the left and on the right side (see Figure 2.1 - Position 4) and the rear rigging (see Figure 2.1 – Position 11). The rear rigging is an integral part of the VERA20 loudspeaker, and its components can be unfolded or moved.



Please take all possible setup's and rigging possibilities from the manuals of VERA RF600, SFV20 and GSP20.



EASE Focus simulation software can be used to plan VERA20 line arrays. EASE Focus is available as a free download from the TW AUDiO website at www.twaudio.com.

4.3. Exchanging the horn flanges

Depending on the product version, the loudspeaker is shipped with either 80° or 120° horn flanges (see chapter 2.2) installed. For applications that require a different horizontal coverage, it may be advantageous to change the horn flanges. To do so, proceed as follows.

1. Place the VERA20 loudspeaker on its back, with the speaker grille facing up. The rear rigging lever must be folded inward. Make sure to place the speaker on a clean, non-slippery surface. To secure the speaker against lifting and slipping, ask a second person for assistance.
2. To remove the speaker grille a TX25 Torx wrench is required. Use it to remove the four mounting screws on the left and right side of the speaker housing.
3. Loosen the two screws on each horn flange.
4. Carefully pull the horn flanges upwards.
5. Carefully insert the new horn flanges. Screw them to the housing. Take care not to damage the chassis with the screws.
6. Reattach the grille and screw it tight.



4.4. Operation

A VERA20 loudspeaker can only be operated with a DSP controller. TW AUDiO only recommends using presets developed by TW AUDiO. The TW AUDiO system racks are ideal for this purpose.



Before connecting the loudspeaker to the amplifier, ensure that the right preset has been selected.

Using the wrong preset or a preset not provided by TW AUDiO preset can destroy the speaker.



Make sure that the amplifier's specifications meet the requirements. Using an amplifier that doesn't meet the specifications can destroy the loudspeaker.

Please note the technical data in section 3.1 on page 9.

4.5. Connecting cables



NOTE

Ensure that the cable cross sectional area is sufficient (at least 1.5 mm²) to avoid power losses. TW AUDiO recommends using the loudspeaker cables available from TW AUDiO.

When connecting the cables to the loudspeaker, ensure that polarity (+/-) and pin assignment (1/2) are correct. Incorrect connection can lead to a significant change in the loudspeaker's sound characteristics and may damage the compression driver.

The pin connections of the VERA20 loudspeaker can be found in section 3.2 ("Wiring diagram") on page 9.

The internal wiring of the VERA20 loudspeaker allows a parallel connection of several loudspeaker units.

Please note that parallel connections will decrease the total impedance of your loudspeaker configuration.

The total impedance and the resulting power of the speaker configuration must match the output power of the amplifier.

5. Transport and Storage

Due to the VERA20 loudspeaker weighing over 20 kg [44,09 lbs.], two persons are required to handle and transport the unit.



NOTE

To enable a single person to transport up to four VERA20 loudspeakers, TW AUDiO recommends using the VERA DLV20 dolly.

Ensure that the front grille of the loudspeaker is not damaged during transport and storage. Moisture can penetrate exposed wood surfaces and cause the wood to swell. A bent or broken front grill will no longer adequately protect the sensitive speaker membranes.

In addition, larger dust deposits can significantly affect the functionality of a speaker membrane. For this reason, the product should be transported and stored in a safe, careful, dry and largely dust-free manner.

The following transport and storage accessories are available from TW AUDiO:

- VERA DLV20 (Dolly)
- Cover4V20 (Protective cover)

The original packaging is not suitable as permanent storage and transport packaging.

6. EC Declaration of Conformity



We hereby declare that the below-referenced components by virtue of their design and construction, and in the configuration placed on the market by us, satisfy the safety and health requirements of the applicable EC directives. This declaration becomes invalid in case of modifications that have not been approved by us.

This declaration applies to the following components

- VERA20-80
- VERA20-120

as well as all model variants based on these, provided that they correspond to the original factory models and have not been technically modified in any way.

Applicable directives:

- 2001/95/EG
- 2011/65/EU

Applicable national standards and technical specifications:

- DIN EN 18 800
- DIN EN ISO 12 100
- BGV C1 / BGI 810-3
- EN 50581:2013-02

Ludwigsburg, Germany, January 1, 2017

A handwritten signature in black ink, appearing to read 'T. Wüstner', written over a horizontal line.

Tobias Wüstner

7. Disposal

It is prohibited to dispose of used electrical equipment with household refuse.



All TW AUDiO GmbH products are so-called B2B products. This means that they are sold by a commercial business to a commercial business. TW AUDiO products that bear the trash can symbol shown here may only be disposed of by TW AUDiO.

The loudspeaker owner is legally responsible for proper disposal of used devices that do not bear this symbol. This pertains to all products delivered prior to March 29, 2010. Nevertheless, TW AUDiO will also be happy to assist you in this case.

If you have any question regarding the disposal of used devices, please contact us under the following telephone number:

+49 (0) 71 41 - 48 89 89 0

Thus, TW AUDiO is in strict compliance with the Waste Electrical and Electronic Equipment Directive (2012/19/EU) for the protection of our environment.

TW AUDiO is registered under the following WEEE reg. no. with the German National Register EAR as a B2B manufacturer and distributor of electrical devices:

DE54488702

In countries outside of the European Union, comply with local regulations.

TW AUDiO GmbH
Osterholzallee 140-1
71636 Ludwigsburg, Germany
Germany

Phone: + 49 (0) 71 41-48 89 89 0

Fax: + 49 (0) 71 41-48 89 89 99

E-Mail: info@twaudio.de

WWW: www.twaudio.de