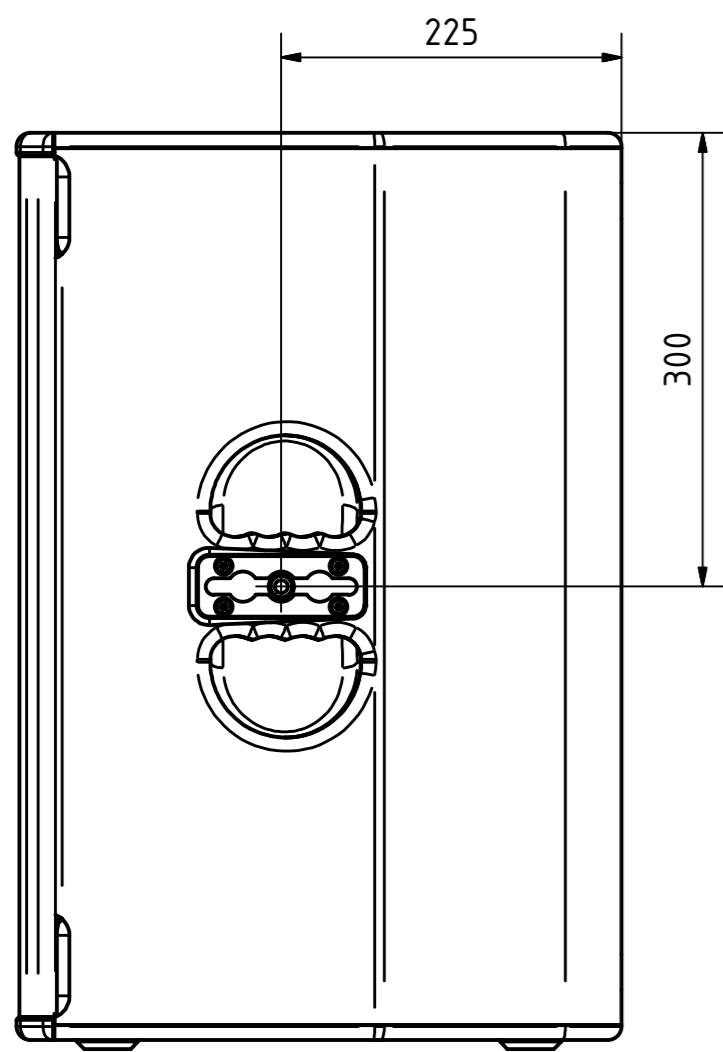
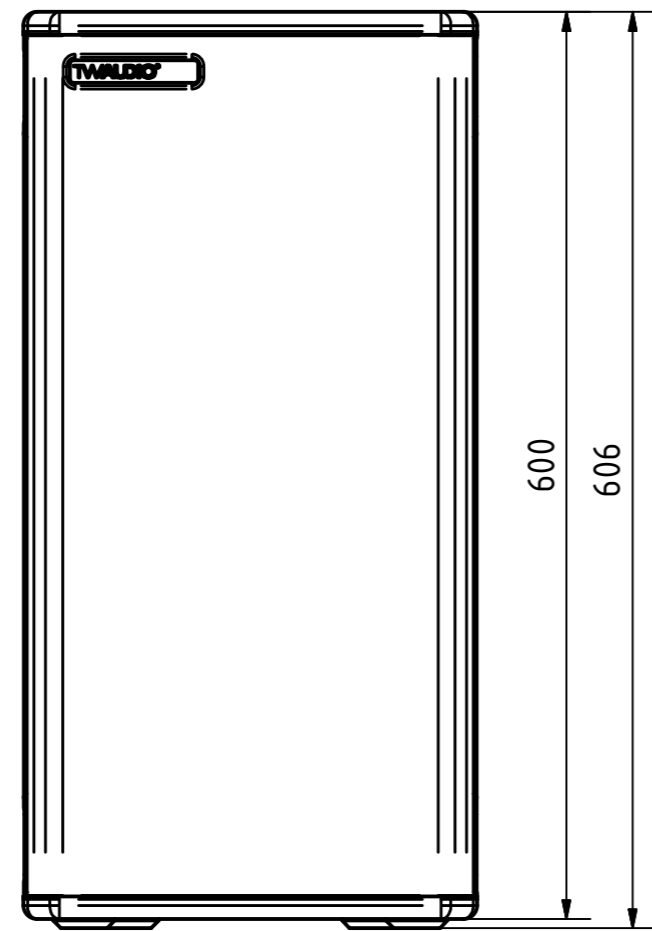


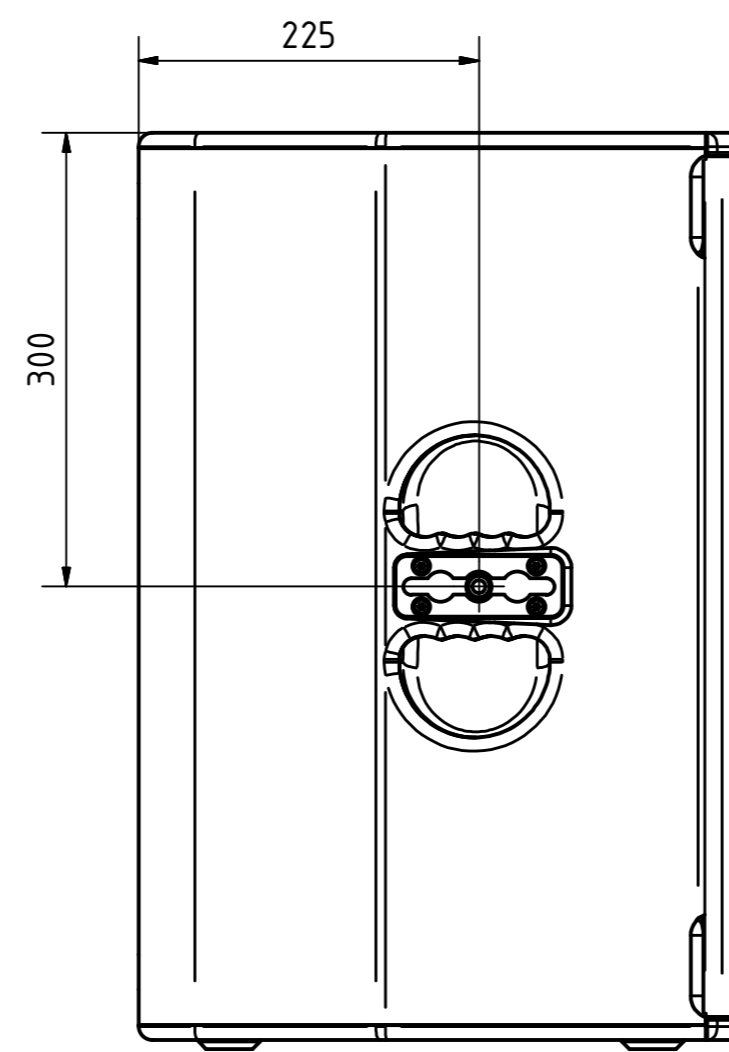
bottom view



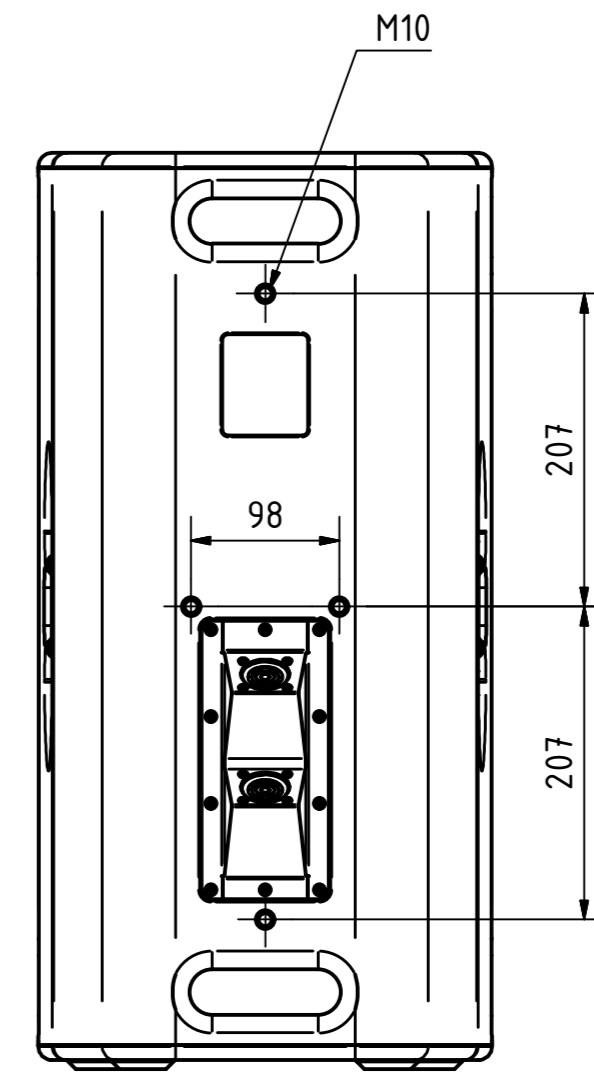
right view



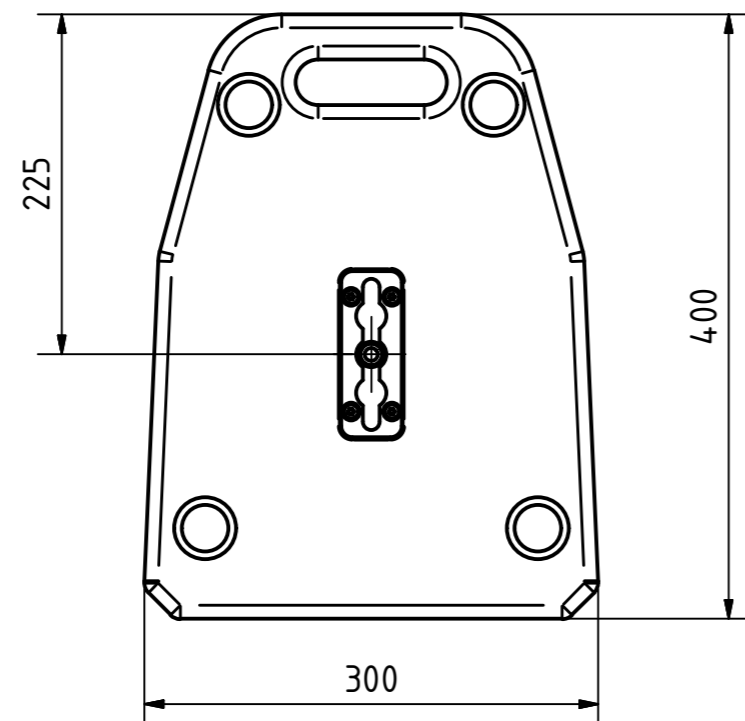
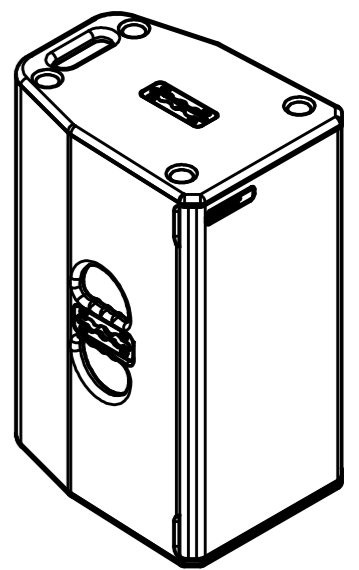
front view



left view



rear view



top view

0	description		05.08.2016	Heike Konrad
rev. no.	revision process		date	modified by
TWAUDIO		scale:		
Osterholzallee 140-2 71636 Ludwigsburg www.twaudio.de		weight: 22 kg		
All rights to this drawing reserved in accordance with ISO 16016. Copying and distribution by manufacturer's permission only.		document type: overview drawing	order number: 2925	
general tolerance ISO 2768-mK ISO 13920-BF ISO 9013-IIA/K according to ISO 8015		status type: released	type: T20	
edges according to ISO 13715 surfaces (Ra) array 2 array 3 DIN ISO 1302		date: 14.12.2015 name: B. Letzgus	drawing number: TWA-T20-0001	
		checked: 11.03.2015 name: Stefan Ulrich	revision no.: 0	
		approved: 05.08.2016 name: Heike Konrad	sheet: 1/1	
		drawing number: TWA-T20-0001		Az