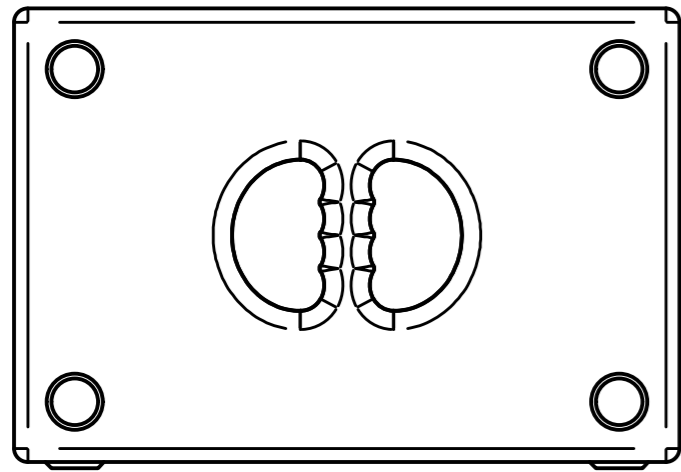
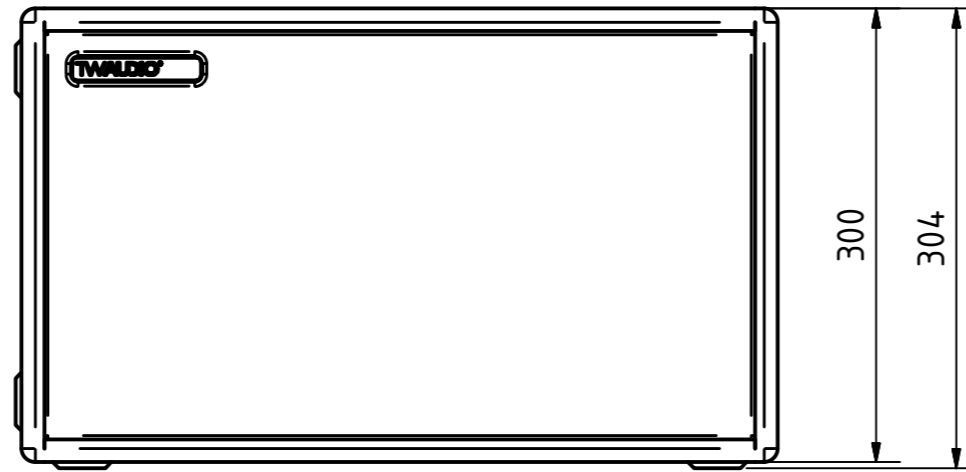


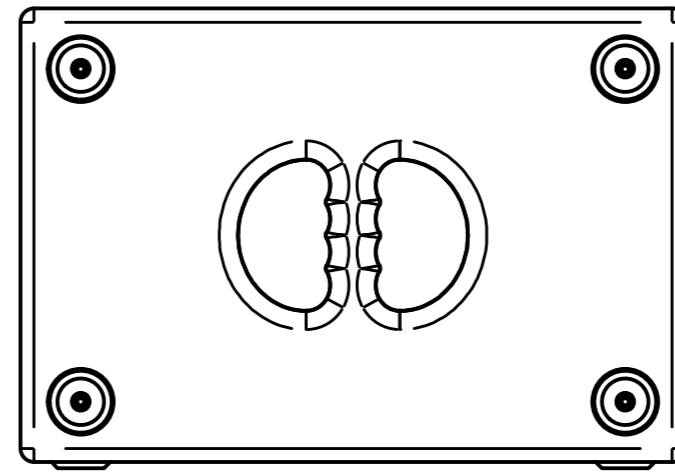
bottom view



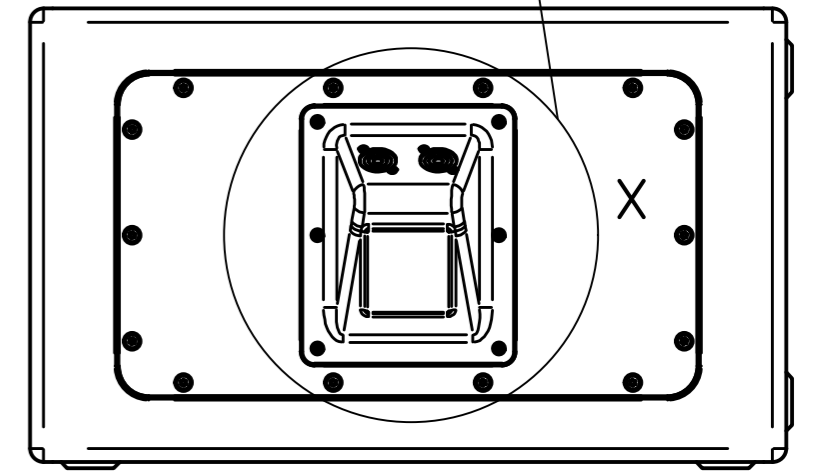
right view



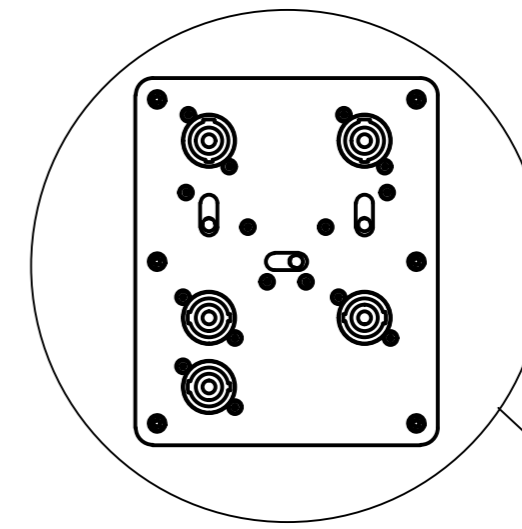
top view



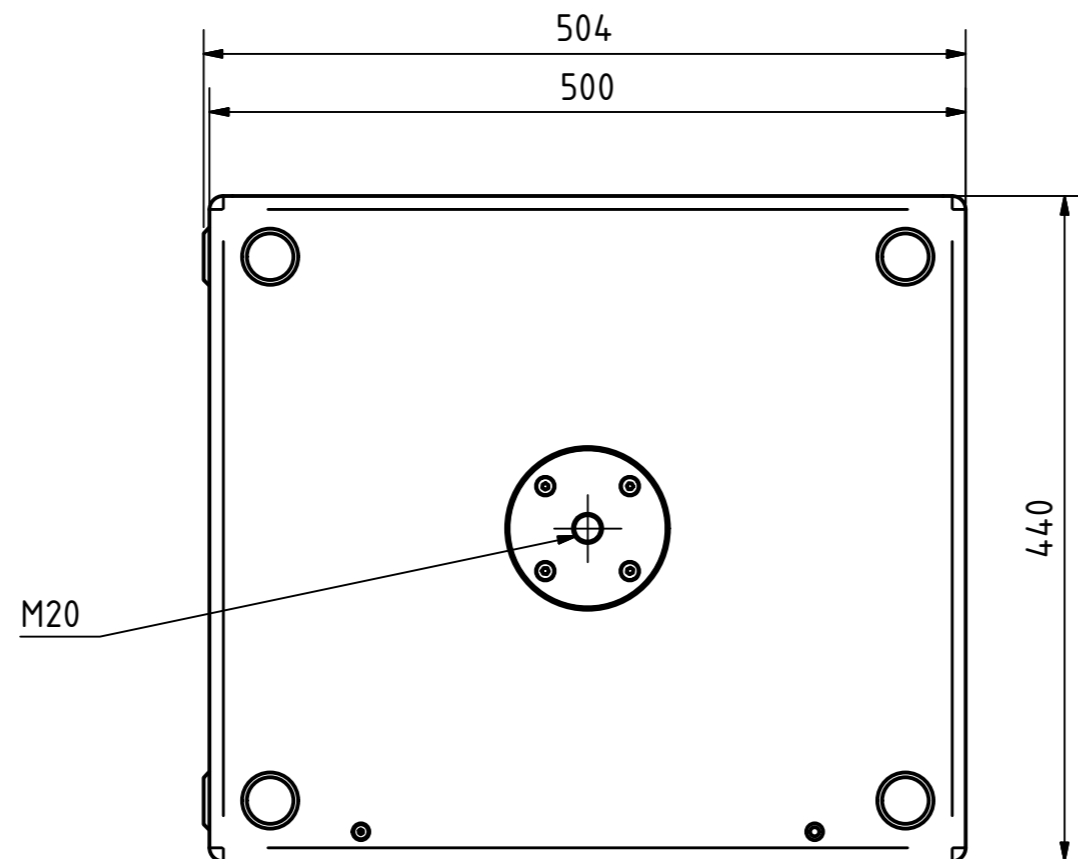
left view



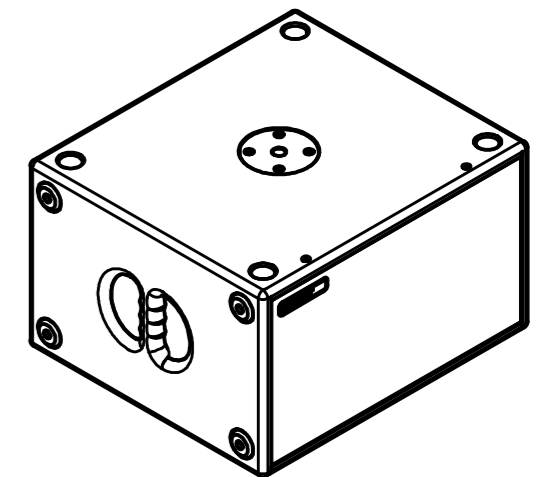
rear view



Option passiv x-over PWB10



top view



rev. no.	description		05.08.2016	Heike Konrad
	revision process		date	modified by
TWAUDIO		scale:		
Osterholzallee 140-2 71636 Ludwigsburg www.twaudio.de		weight: 17 kg		
All rights to this drawing reserved in accordance with ISO 16016. Copying and distribution by manufacturer's permission only.		document type: Overview Drawing	order number: 2666	
general tolerance ISO 2768-mK ISO 13920-BF ISO 9013-IIA/K according to ISO 8015		status type: released	type: B10	
edges according to ISO 13715 surfaces (Ra) array 2 array 3 DIN ISO 1302		constructed: 10.02.2015 B. Letzgas	drawing number: TWA-B10-0001	
		drawn: 04.03.2015 B. Letzgas	revision no.: 1	
		checked:	sheet: 1	
		approved: 05.08.2016 Heike Konrad	Az	
C:\CAD\TW_AUDIO\CAD-Daten\Produkt\B10\B10_kpl.dwg				