

SAFETY INFORMATION

Before you use this TW AUDIO product, read the manual carefully.

Loudspeakers can be checked and stamped according to BGV C1 by official departments. For more information contact TW AUDIO at info@twaudio.com or +49 (0) 71 41 - 48 89 89 0

GENERAL

The VERA S30 is a flyable horn-hybrid bass-reflex subwoofer loudspeaker, equipped with two 15" drivers.

VERA S30 can be used with 2 or 4 wires speaker cables. VERA S30 is driven from PIN2 (Fig. 4). PIN1 is hardwired in NL4 sockets for easy forwarding the signals (for example: signal for full-range speaker)

VERA S30 as default is available in black colour and polyurethane coating. Any different RAL color can be requested (warnex structure paint)

VERA S30 is designed to be driven with amplifier equipped in DSP. TW AUDIO offers presets for the Powersoft K-DSP AESOP or LAB PLM system amplifiers. As an external controller for other amps it's recommended to use the LAKE LM26 or LM44.

VERA S30 always requires a dedicated preset loaded on the amplifier/controller. Do never use the loudspeakers without this preset. Always be aware to have the correct preset loaded on your system amplifier before connecting the loudspeaker. Ensure that the internal connections in the amplifier rack are identical to shown on Fig 2.

COMBINATION WITH OTHER PRODUCTS

VERA S30 can be combined with any TW AUDIO product. Many different product combination presets are available (see FIG 1 for more details) Be sure about proper time alignment.

VERA S30 can only be groundstacked or flown (single subwoofer or array). Additional aircardo tracks located on each side allow to use many different accessories:

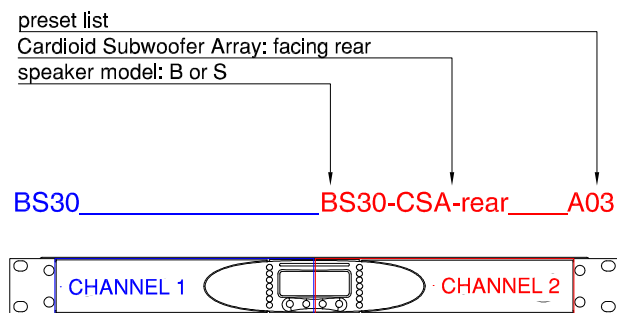
- CBH30 - cradlebar for flying in upright position
- CBQ30- cradlebar for flying in horizontal position
- BLT24 - boxlink for connections many VERA S30 together

Please see system examples papers on www.twaudio.com for system combinations and setup examples.

If you have any questions about your product don't hesitate to contact TW AUDIO on support@twaudio.com or by phone +49 (0) 71 41 - 48 89 89 56

B18		
Frequency range	[Hz]	35 - 200
Power pgm/peak	[W]	2000 / 4000
Impedance	[Ohm]	8
Dispersion pattern		standard or cardioid by CSA
Sensitivity	[dB]	98
max SPL	[dB]	133
Dimensions	[mm]	706x446x800
Weight	[kg]	42

FIG 1. PRESETS / REFERED TO PRESETLIST A03



PRESET NAME	
CHANNEL 1	CHANNEL 2
BS30	
BS30	BS30 _____ A03
BS30	BS30-CSA-rear _____ A03
BS30	M8-cut _____ A03
BS30	M10-cut _____ A03
BS30	M12-cut _____ A03
BS30	M15-cut _____ A03
BS30	C12-cut _____ A03
BS30	C15-cut _____ A03

FIG 2. APL4-K AMPLIFIER RACK

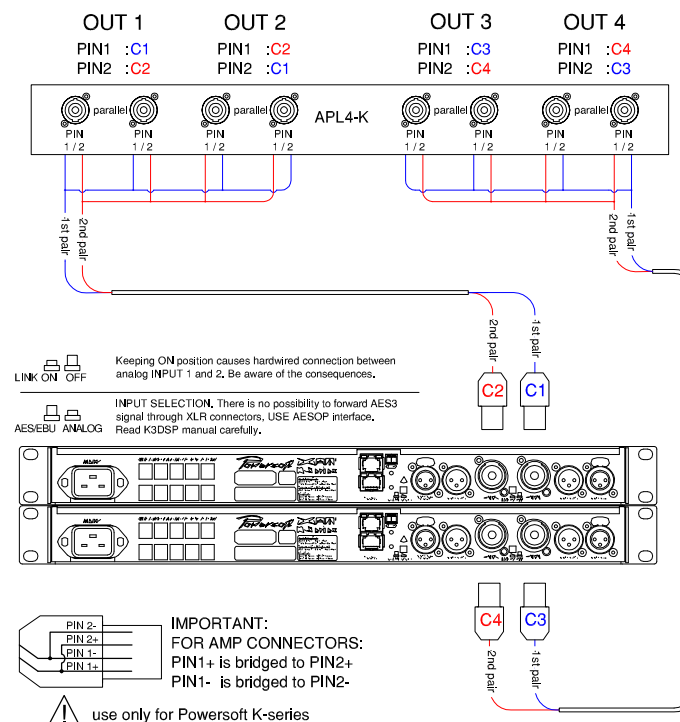


FIG 4. INTERNAL WIRING DIAGRAM

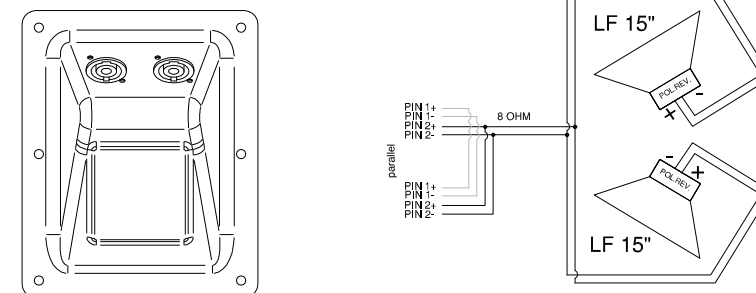


FIG 5. S30 - CONNECTION TO AMPLIFIER SYSTEM

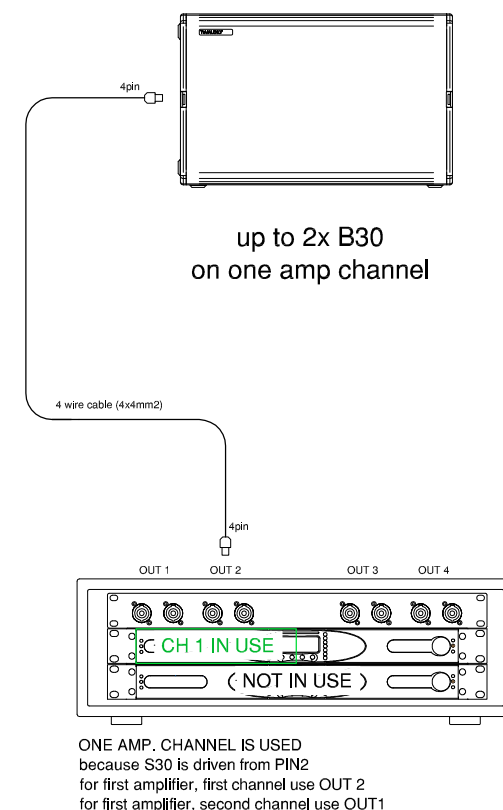
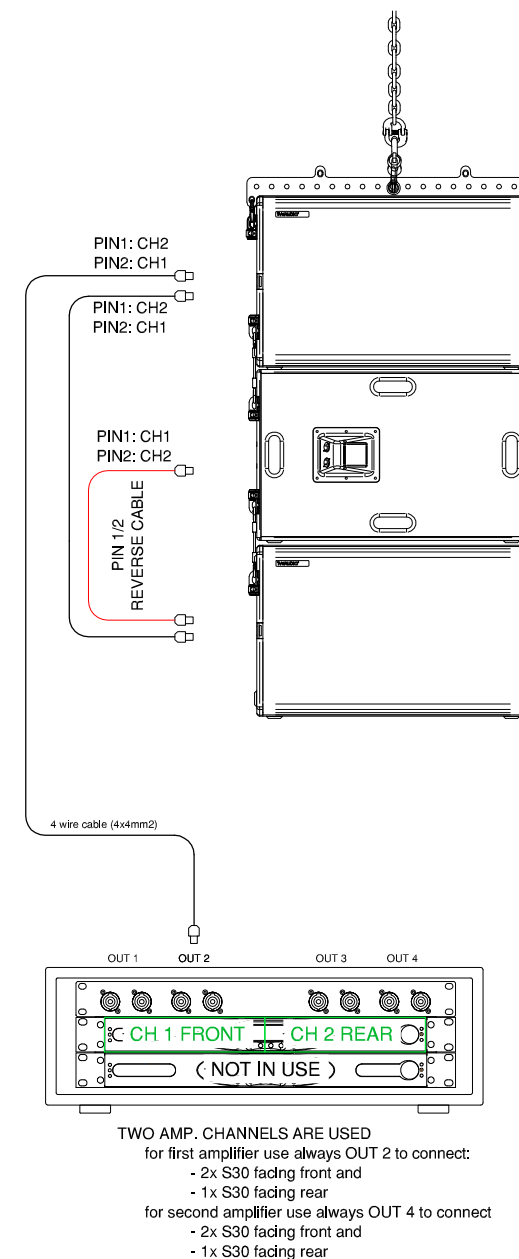


FIG 6. S30 - CSA CONNECTION FRONT VIEW



***NOTE:**

- for long term high SPL requirements drive two S30s on one POWERSOFT K3DSP (4 OHM operation)
- for lower SPL requirements, it is possible to drive 3 to 4 boxes on POWERSOFT K3DSP(2,6 / 2 OHM operation)