

SAFETY INFORMATION

Before you use this TW AUDIO product, read the manual carefully.

Loudspeakers can be checked and stamped according to BGV C1 by official departments. For more information contact TW AUDIO at info@twaudio.com or +49 (0) 71 41 - 48 89 89 0

GENERAL

The VERA S15A (ACTIVE) is a flyable bass-reflex subwoofer loudspeaker, equipped with single 15" driver unit.

VERA S15A as default is available in black colour and polyurea coating. Any different RAL color can be requested (warnex structure paint)

VERA S15A is designed to be driven with a DSP equipped amplifier. TW AUDIO provides presets for the Powersoft K3DSP AESOP or LAB PLM system amplifiers. As an external controller for other amps it's recommended to use the LAKE LM26 or LM44.

VERA S15A always requires a dedicated preset loaded on the amplifier/controller when is use with TW AUDIO top loudspeaker. Do never use the VERA S15 without this preset. Always be aware to have the correct preset loaded on your system amplifier before connecting the loudspeaker. Ensure that the internal connections in the amplifier rack are identical to shown on Fig 2.

COMBINATION WITH OTHER PRODUCTS

VERA S15A can be combined with any TW AUDIO full-range products. According to Fig 1. many different presets, product combinations, are available.

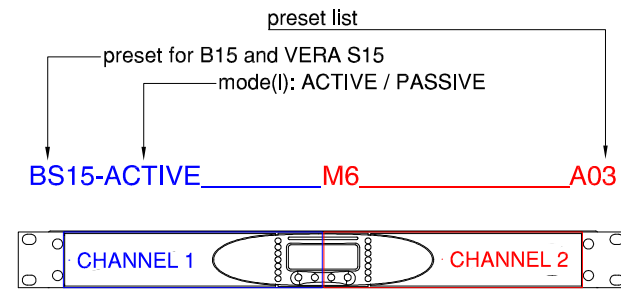
VERA S15 can be groundstacked or combined into VERA10 family array (VERA10, S18, L24). There are different hardware accessories available:
 - VERA RF300 - S15 flying frame (also use for VERA10, S18, L24)
 - VERA GF10 - ground frame

Please see system examples papers on www.twaudio.com for system combinations and setup examples.

If you have any questions about your product don't hesitate to contact TW AUDIO on support@twaudio.com or by phone +49 (0) 71 41 - 48 89 89 56

VERA S15A		
Frequency range	[Hz]	40 - 1500 (without processing)
Power pgm/peak	[W]	1200 / 2000
Impedance	[Ohm]	4
Dispersion		omni
Sensitivity	[dB]	94
max SPL	[dB]	127
Dimensions	[mm]	500x 446x 560
Weight	[kg]	23

FIG 1. PRESETS / REFERED TO PRESETLIST A03



PRESET NAME		
CHANNEL 1	CHANNEL 2	
BS18		
BS15-ACTIVE	M6	A03
BS15-ACTIVE	M8	A03
BS15-ACTIVE	M10	A03
BS15-ACTIVE	M12	A03
BS15-ACTIVE	M15	A03

FIG 2. APL4-K AMPLIFIER RACK

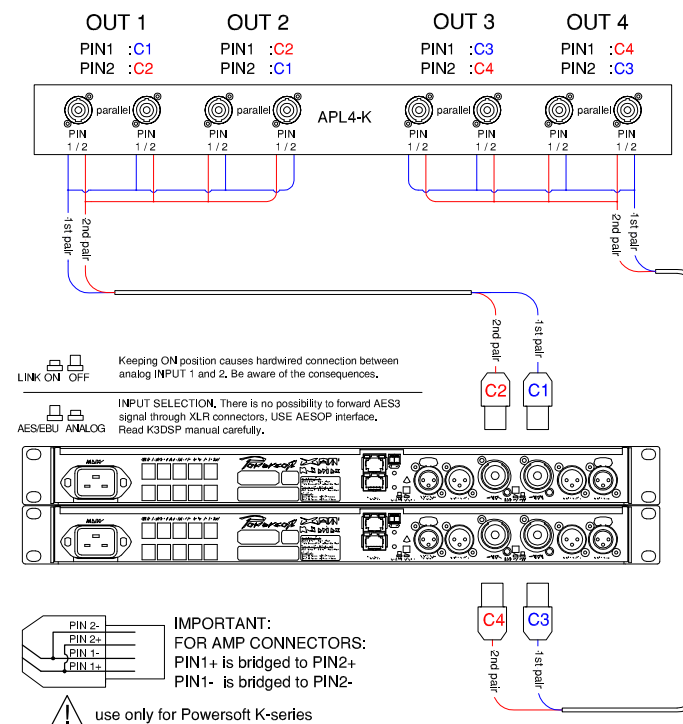


FIG 4. INTERNAL WIRING DIAGRAM

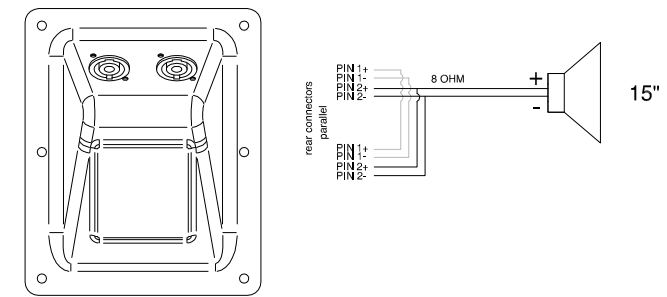
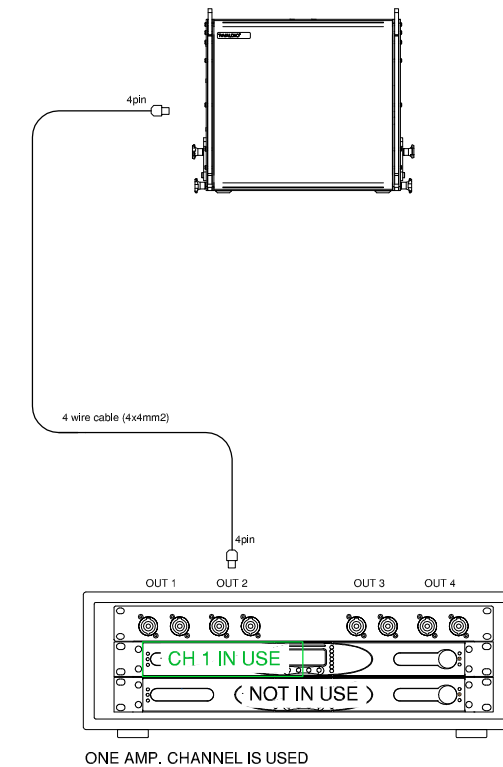


FIG 5. VERA S15A - CONNECTION TO AMPLIFIER SYSTEM

because of VERA S15's low impedance it is not recommended to connect more than one VERA S15A to single amplifier output



***NOTE:**

For lower SPL requirements it is possible to connect 2x VERA S15A in parallel to one amp's channel (2 Ohm operation)

For standalone use:
 for first amplifier, first channel use OUT2 on APL4. B15 ACTIVE is driven from PIN2.

For combination with top
 TW AUDIO presets are designed that first channel drives LF loudspeaker/ drivers while second amplifier channel M/HF source. For this combination always use OUT2 for first amplifier and OUT4 for second amplifier.