

SAFETY INFORMATION

Before you use this TW AUDIO product, read the manual carefully.

Loudspeakers can be checked and stamped according to BGV C1 by official departments. For more information contact TW AUDIO at info@twaudio.com or +49 (0) 71 41 - 48 89 89 0

GENERAL

The VERA10 is an asymmetrical designed Loudspeaker, equipped with one 10" driver and two 1" drivers adapted to a waveformer with 80 or 120 dispersion variable horns for the HF.

VERA10 as default is available in black colour and polyurea coating. Any different RAL color is possible only with warnex structure paint.

VERA10 passive has two operation modes: passive and biamped, study the differences on Fig.4.

The VERA10 is designed to be driven with a DSP equipped amplifier. TW AUDIO recommends the Powersoft K3DSP AESOP or LAB PLM as system amplifiers. As an external controller for other amps it's recommended to use the LAKE LM26 or LM44.

The VERA10 always requires a dedicated preset loaded on the amplifier/controller. Do never use the VERA10 without this preset. Always be aware to have the correct preset loaded on your system amplifier before connecting the loudspeaker. The PRESET determines the output routing and the connection port on the APL4. Be sure that the internal connections in the amplifier rack are identical to shown on Fig 3.

In case of the VERA10 in biamped mode (active) use the output 2/4 on APL4. VERA10 in passive mode can be used in different ways depending on loaded preset. Go to the system examples for more information.

For best performance line array system requires proper optimization depending on it's size, curvature, weather condition and the room acoustics. For best system optimization TW AUDIO recommends professional acoustical measurements tools (phase and magnitude response).

Use EASE Focus 2 to find correct array settings.

COMBINATION WITH OTHER PRODUCTS

VERA10 can be combined with any TW AUDIO subwoofers products. Be sure about proper time alignment.

Please see system examples papers on www.twaudio.com for system combinations and setup examples.

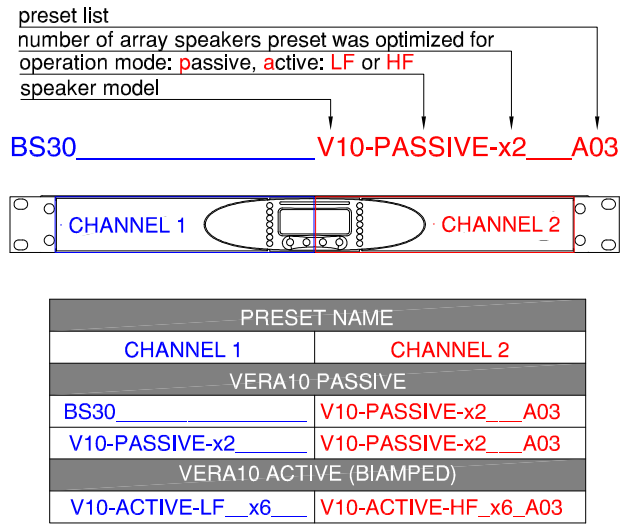
ACCESSORIES

VERA10 can be flown (RF300, SF10), ground-stacked (GF10) or mounted on speaker stand (SF10).

If you have any problems with your product don't hesitate to contact TW AUDIO on support@twaudio.com or by phone +49 (0) 71 41 - 48 89 89 56

VERA10	ACTIVE (BIAMPED)	PASSIVE
Frequency range [Hz]	60 - 15 000	
Power pgm/peak [W]	LF: 500/1000, HF: 200/400	600 / 1200
Impedance [Ohm]	LF: 16, HF:16	12
Dispersion	80 or 120	
Sensitivity [dB]	LF: 103, HF:112	104
max SPL [dB]	133.00	
Dimensions [mm]	275x500x355	
Weight [kg]	16.90	18

FIG 1. PRESETS / REFERED TO PRESETLIST A02



change CUT / FLAT / FULL within CH 1 settings.

FIG 2. TYPICAL ARRAY CORRECTION

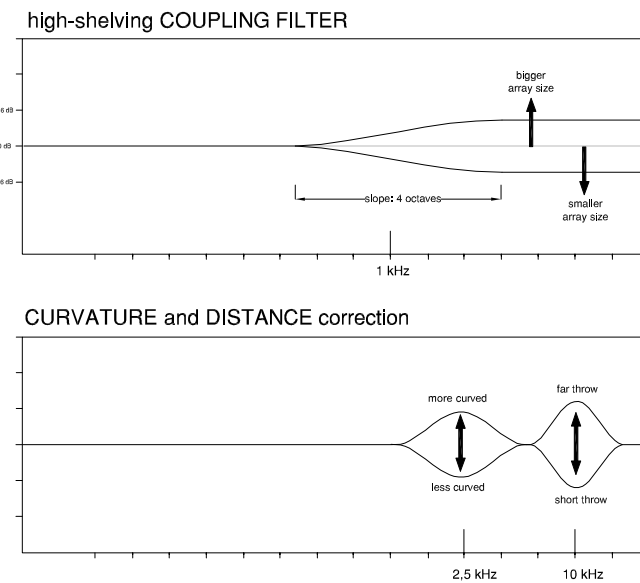


FIG 3. APL4-K AMPLIFIER RACK

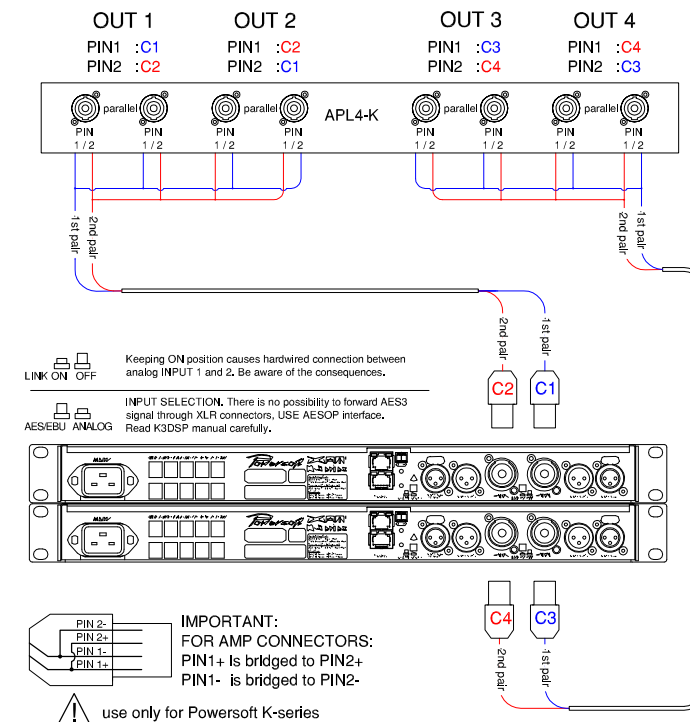


FIG 4. INTERNAL WIRING DIAGRAM AND OPERATION MODES

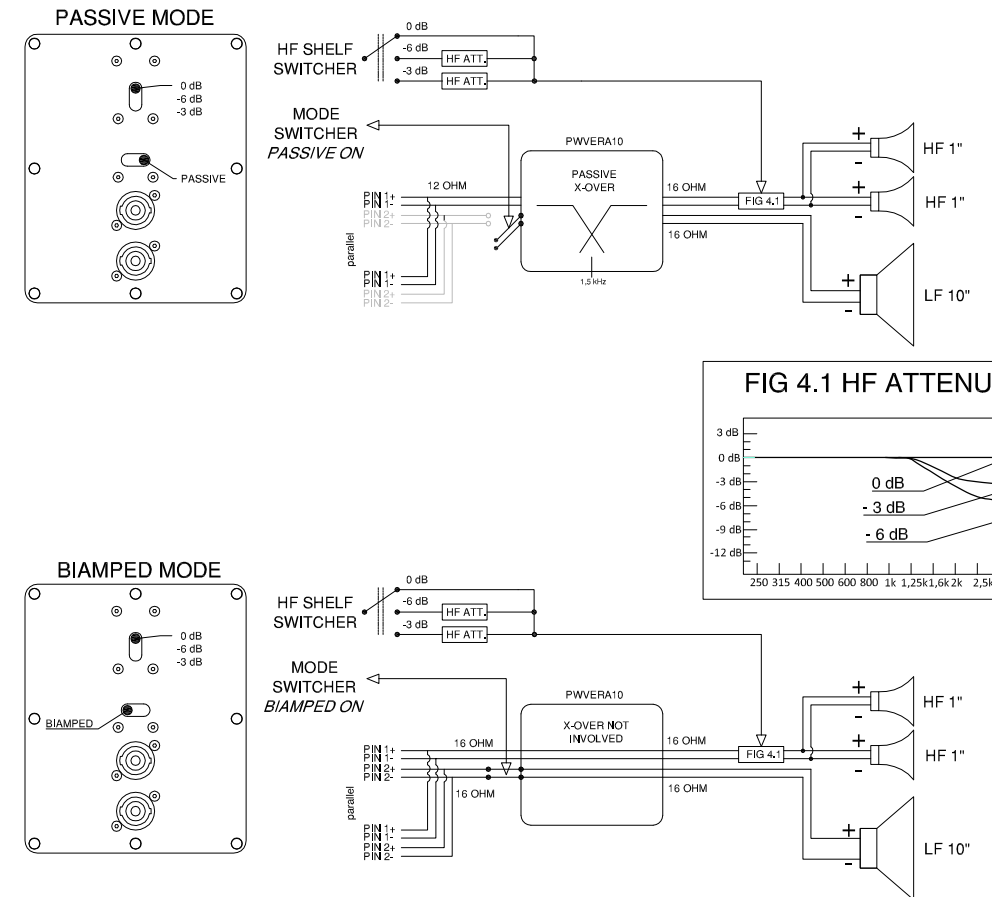


FIG 4.1 HF ATTENUATOR

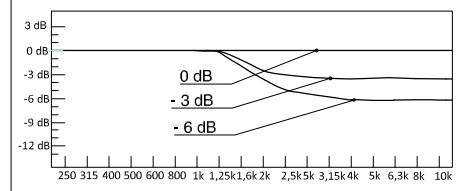


FIG 5. VERA10 BIAMPED MODE

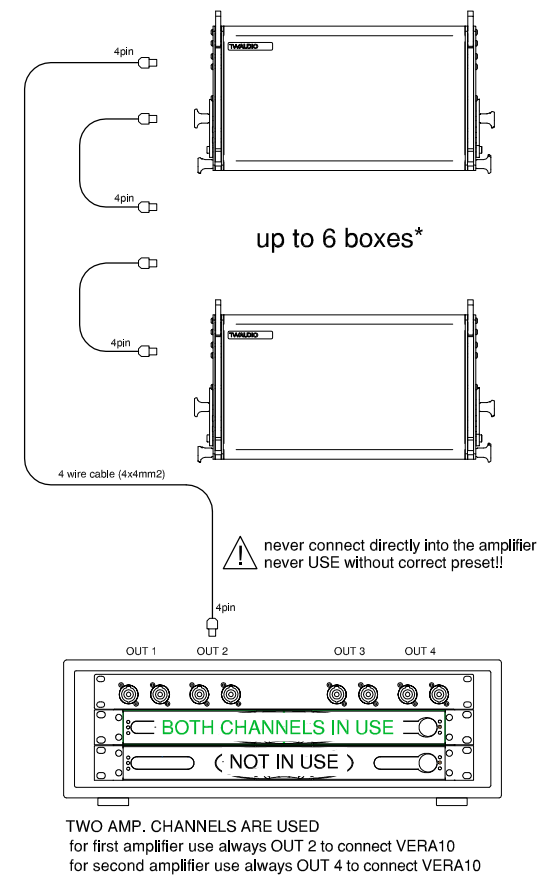
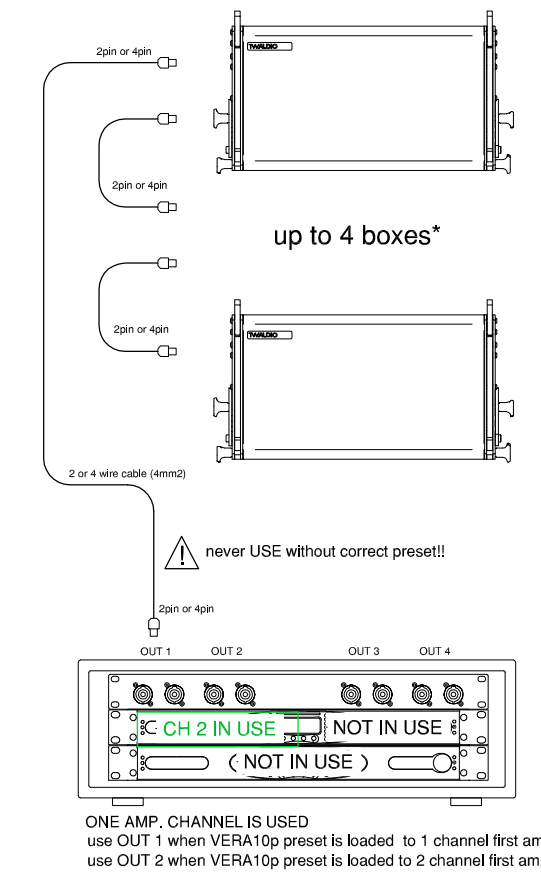


FIG 6. VERA10 PASSIVE MODE



*NOTE:
- for long term high SPL requirements drive only 4 boxes on one POWERSOFT K3DSP (4 OHM operation)
- for lower SPL requirements, it is possible do drive up to 8 boxes on POWERSOFT K3DSP(2 OHM operation)

*NOTE:
- for long term high SPL requirements drive only 3 boxes on one POWERSOFT K3DSP channel (4 OHM operation)
- for lower SPL requirements, it is possible do drive up to 6 boxes on POWERSOFT K3DSP channel (2 OHM operation)