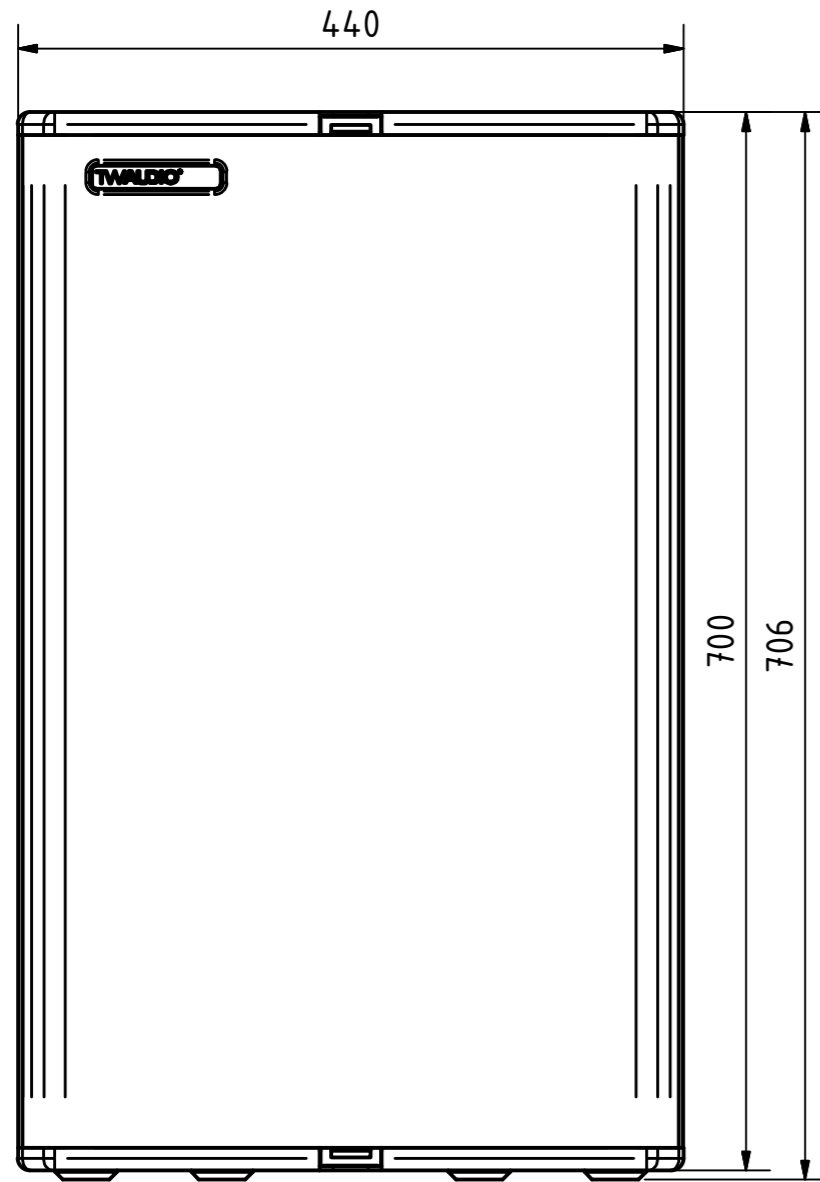
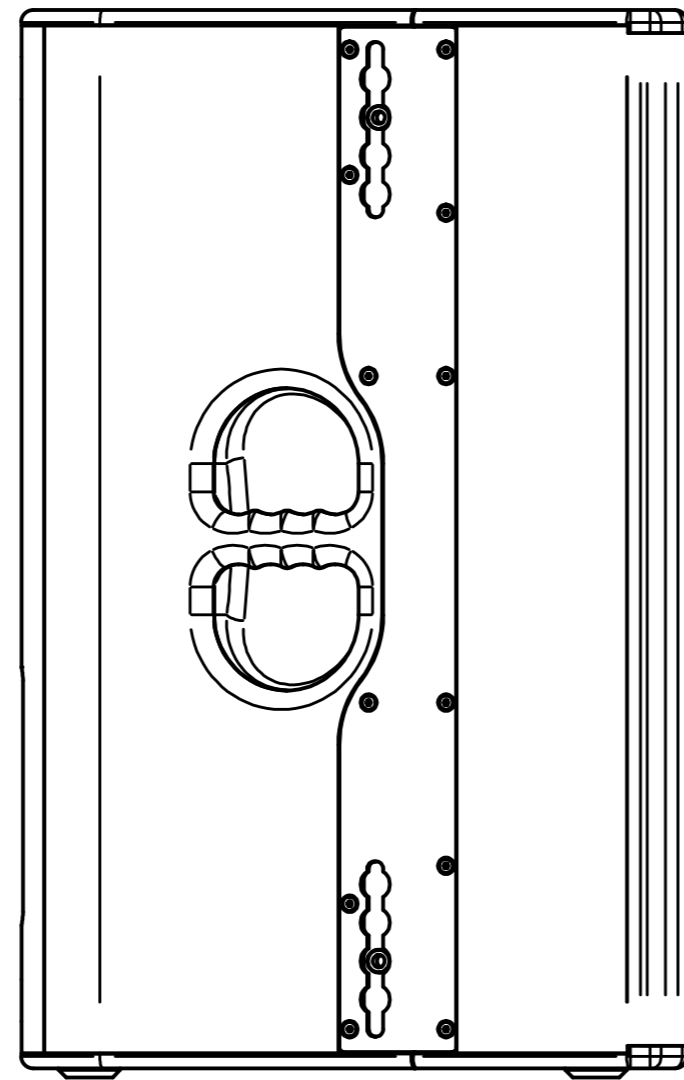


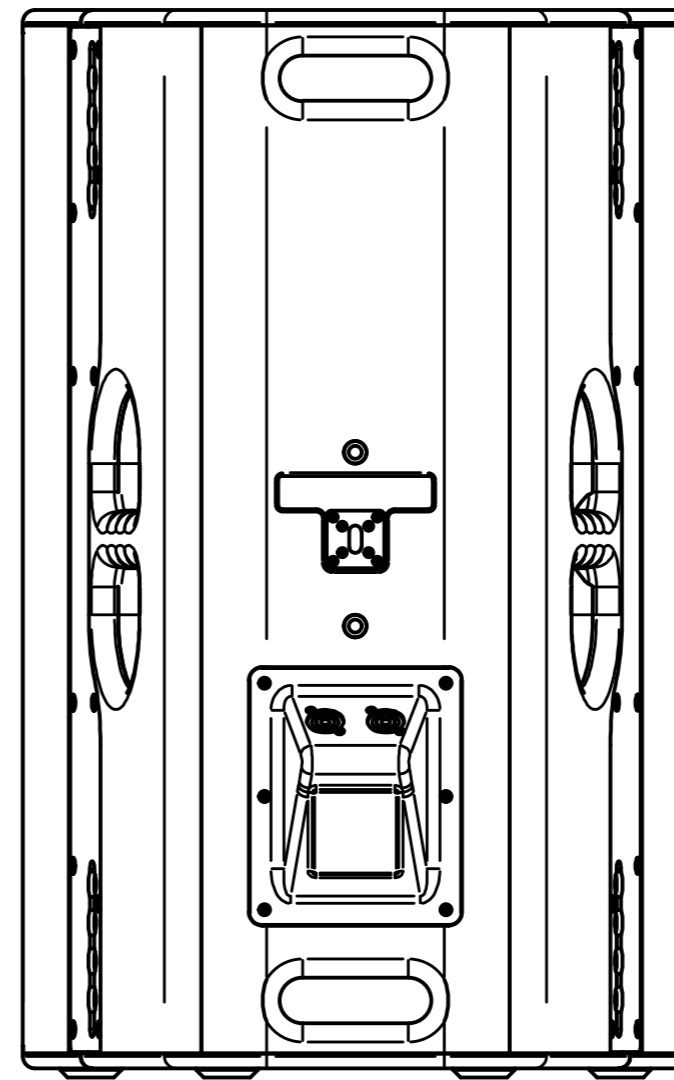
bottom view



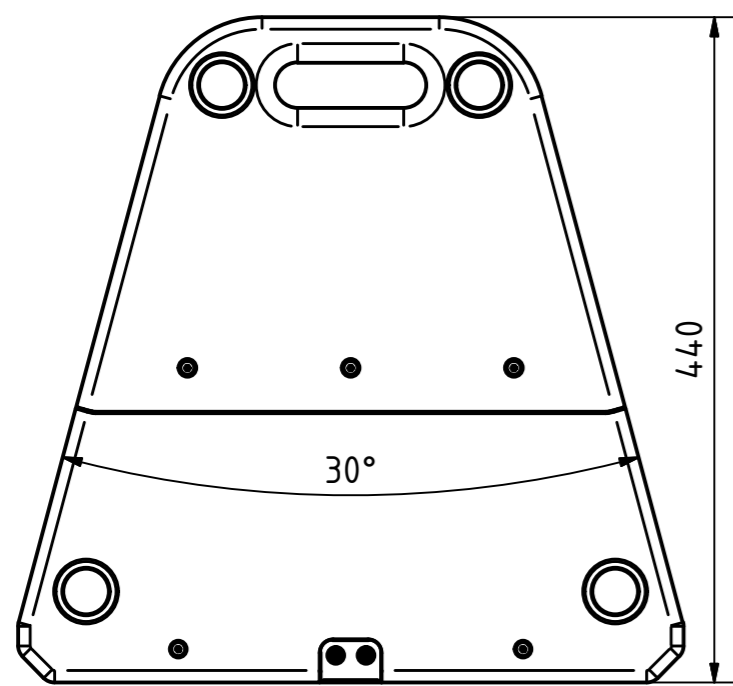
front view



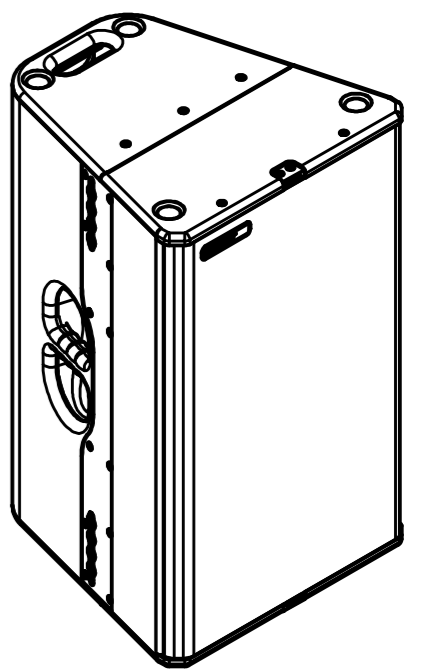
left view



rear view



top view



rev. no.	description	date	modified by
0	revision process		
TWAUDIO Osterholzallee 140-2 71636 Ludwigsburg www.twaudio.de		scale: 1:5 (1:10)	
All rights to this drawing reserved in accordance with ISO 16016. Copying and distribution by manufacturer's permission only.		weight: 33.1 kg	
general tolerance ISO 2768-mK ISO 13920-BF ISO 9013-IIA/K according to ISO 8015		document type: overview drawing	order number: 2105
edges according to ISO 13715 surfaces (Ra) array 2 array 3 according to ISO 1302		status type:	type: Pointsource top
checked: approved:		date: 17.07.2014	name: B. Letzgas
drawing number: TWA-T24N-0001		date: 26.09.2014	name: Stefan Ullrich
revision no: 0		sheet: 1/1 Az	
<small>C:\CAD-TW_AUDIO\CAD-Daten\Produktre\T24N\T24N.dwg</small>			