

SAFETY INFORMATION

Loudspeakers can be checked and stamped according to BGV C1 by official departments. For more information contact TW AUDIO at info@twaudio.com or +49 (0) 71 41 - 48 89 89 0

GENERAL

The M10 ludspeaker is assymetrical design, with left and right enclosure versions, equipped with one 15" drivers and one HF 1,4" driver with 75 x 50 dispersion rotatable horn.

M15 as default is available in black colour and warnex structure paint coating. All RAL colours for new enclosures are possible upon request.

The M15 product is equipped with passive crossover optimized for group delay as well as frequency response.

The M15 can be used with 2 or 4 wires speaker cables. The connection to the M15 is done via the PIN 1+/- (Fig 4.). PIN2 is hardwired in NL4 sockets for easy forwarding the signals (for example: signal for subwoofer).

The M15 is designed to be powered by any professional amplifier available on the market. TW AUDiO recommends the Powersoft K3DSP AESOP or LAB PLM as a system amplifiers. As an external controller for other amps it's recommended to use the LAKE LM26 or LM44. TW AUDiO offers loudspeaker presets for 3 platforms: K-DSP and M-HDSP series from Powersoft and for Lake Controller. If you are using these platforms, always be aware to have the correct preset loaded on your system amplifier before connecting the loudspeaker.

COMBINATION WITH OTHER PRODUCTS

M15 can be combined with any TW AUDiO subwoofers products. All the loudspeakers are phase coherent in common frequency range. For this case load M10 presets into one of mentioned amplifier system.

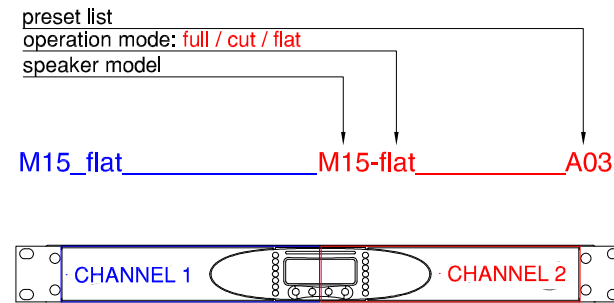
Please see system examples papers on www.twaudio.com for system combinations and setup examples.

ACCESSORIES

M15 can be flown (SBM15, DHST), mounted on speaker stand directly using pole hole available on enclosure or on speaker stand using SBM15 and HSF. Air cargo rigging tracks allow to use SBM15 without any tools. Simply click into place.

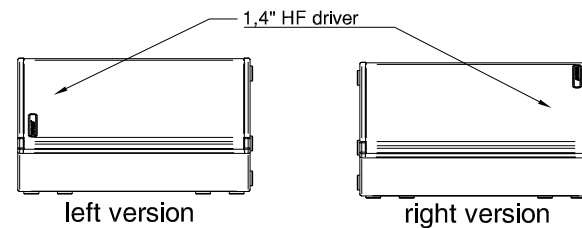
If you have any further questions about your product don't hesitate to contact TW AUDiO on support@twaudio.com or by phone +49 (0) 71 41 - 48 89 89 55

FIG 1. PRESETS / REFERED TO K-SERIES PRESETLIST A03



PRESET NAME	
CHANNEL 1	CHANNEL 2
B15-PASSIVE+M15	B15-PASSIVE+M15_A03
BS15-ACTIVE	M15-cut_A03
BS18	M15-cut_A03
BS30	M15-cut_A03
M15_flat	M15-flat_A03

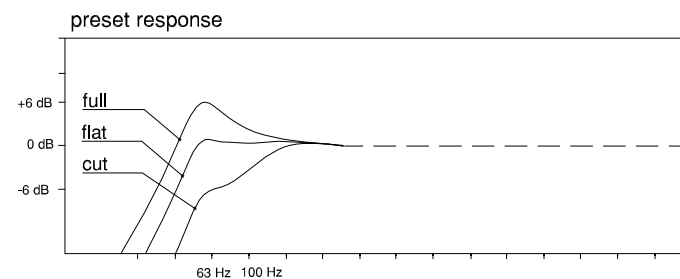
FIG 2. Enclosures variants.



last digit on serial number tells about enclosure version:

- odd digit - left version
- even digit - right version

FIG 3. FULL / FLAT / CUT



M12	
Frequency range	[Hz] 50 - 19 000
Power pgm/peak	[W] 800 / 1600
Impedance	[Ohm] 8
Dispersion	75 x 50, rotatable horn
Sensitivity	[dB] 99
max SPL	[dB] 131
Dimensions	[mm] 706 x 440 x 374
Weight	[kg] 26

FIG 4. INTERNAL WIRING DIAGRAM

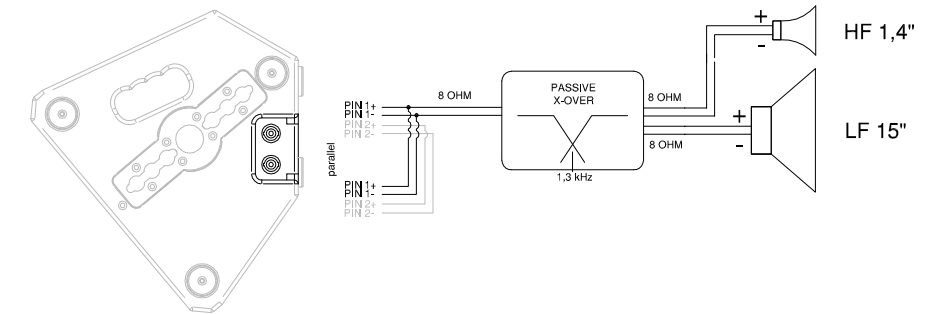
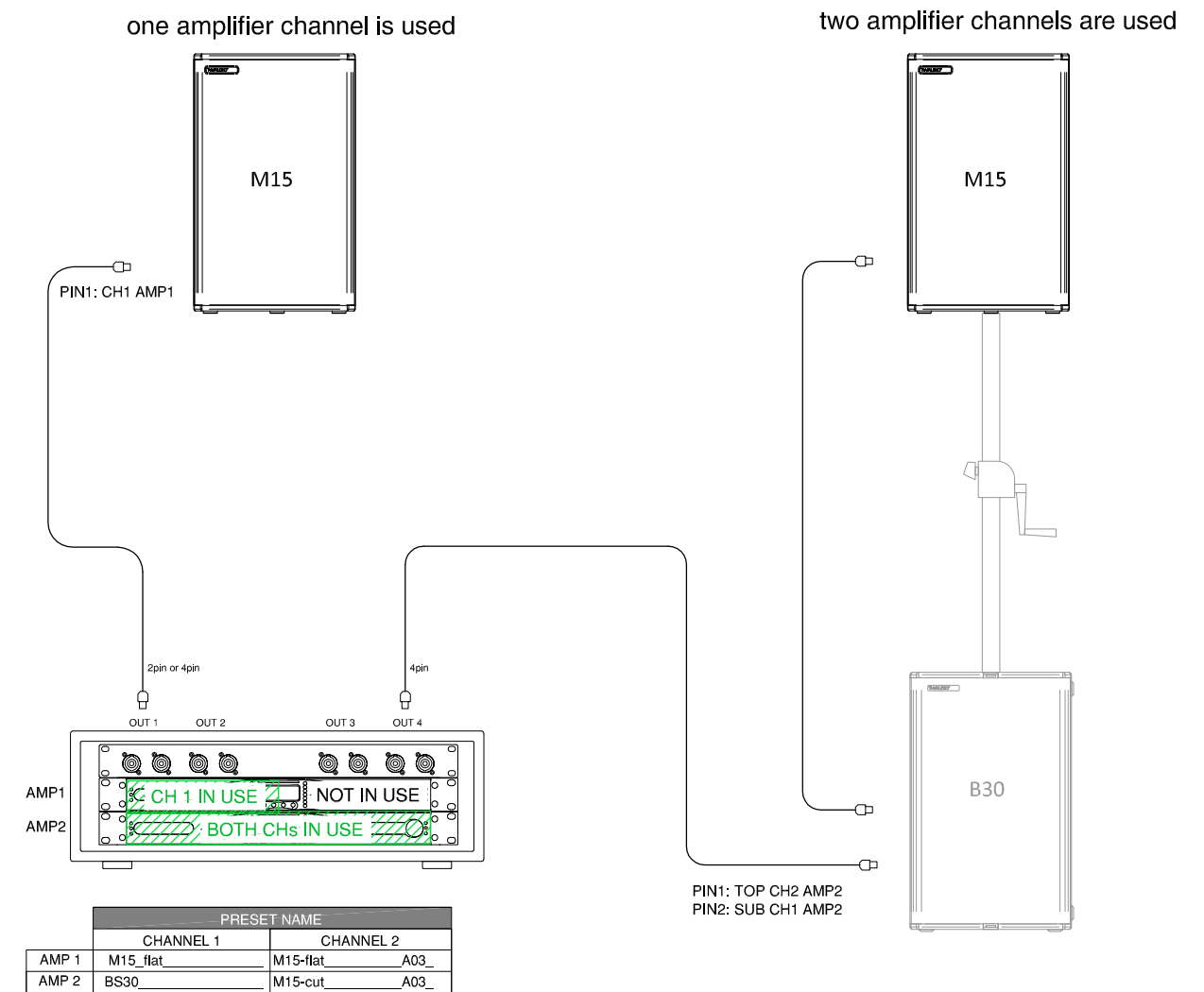


FIG 5. M12 - CONNECTION TO THE AMPLIFIER



For standalone use:
for first amplifier use OUT 1 or/and OUT 2 depends amplifier channel in use.

For combination with subwoofers
TW AUDiO presets are designed that first channel drives LF loudspeaker/ drivers while second amplifier channel M/HF source. For this combination always use OUT2 for first amplifier and OUT4 for second amplifier.

It is possible to connect more than one M15 to one K3DSP output.
- for long term high SPL requirements drive only 2 boxes on one POWERSOFT K3DSP (4 OHM operation)
- for lower SPL requirements, it is possible to drive up to 3-4 boxes on POWERSOFT K3DSP(2/2,6 OHM operation)