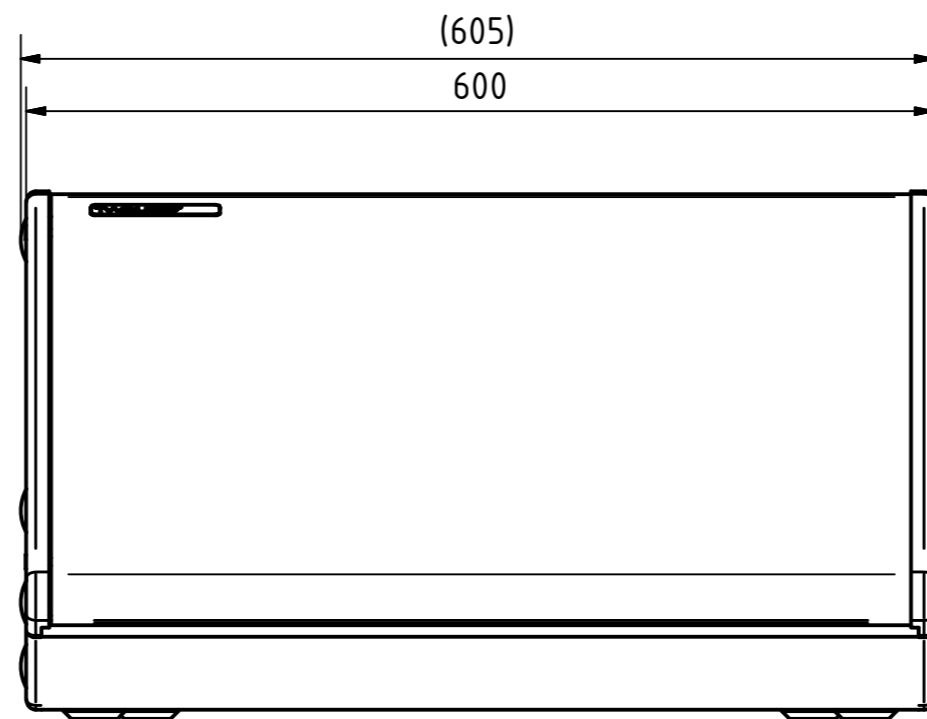
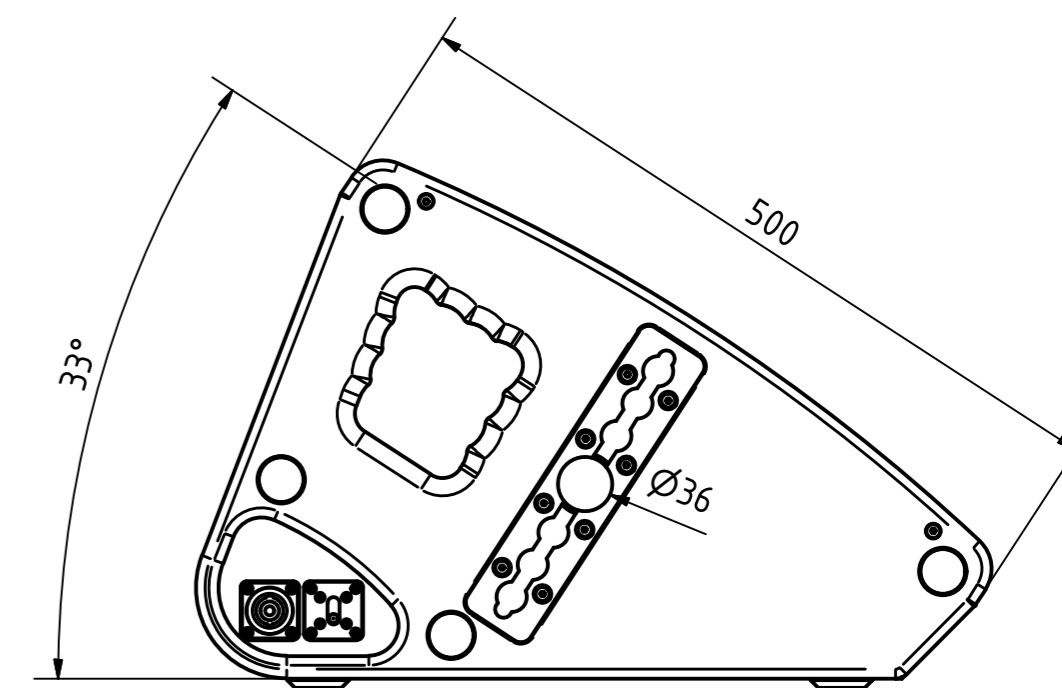


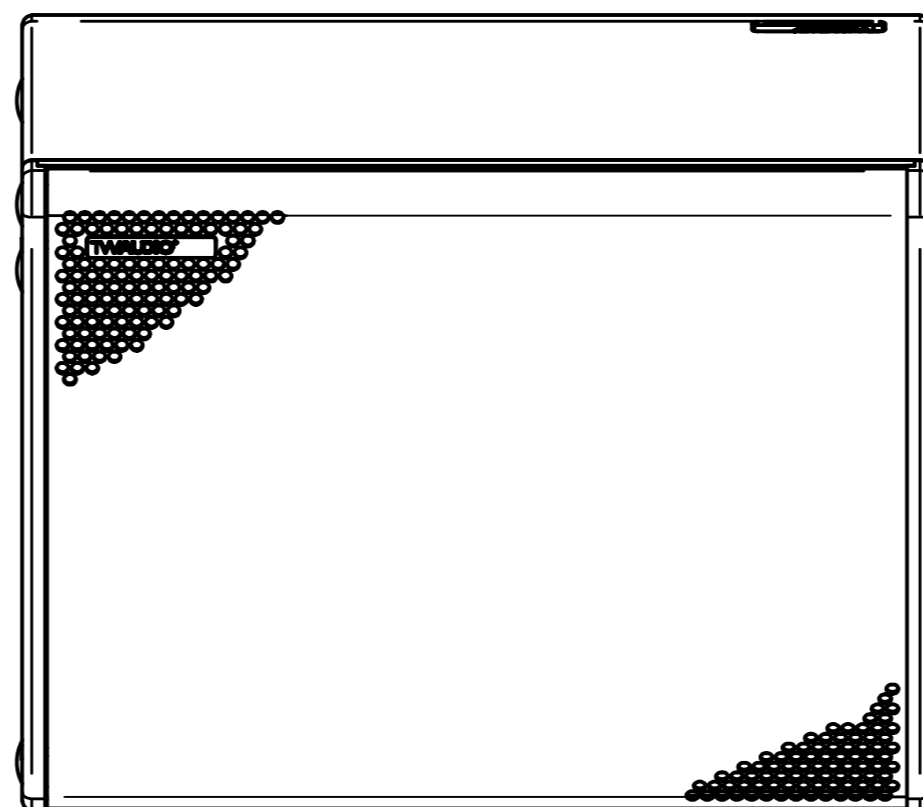
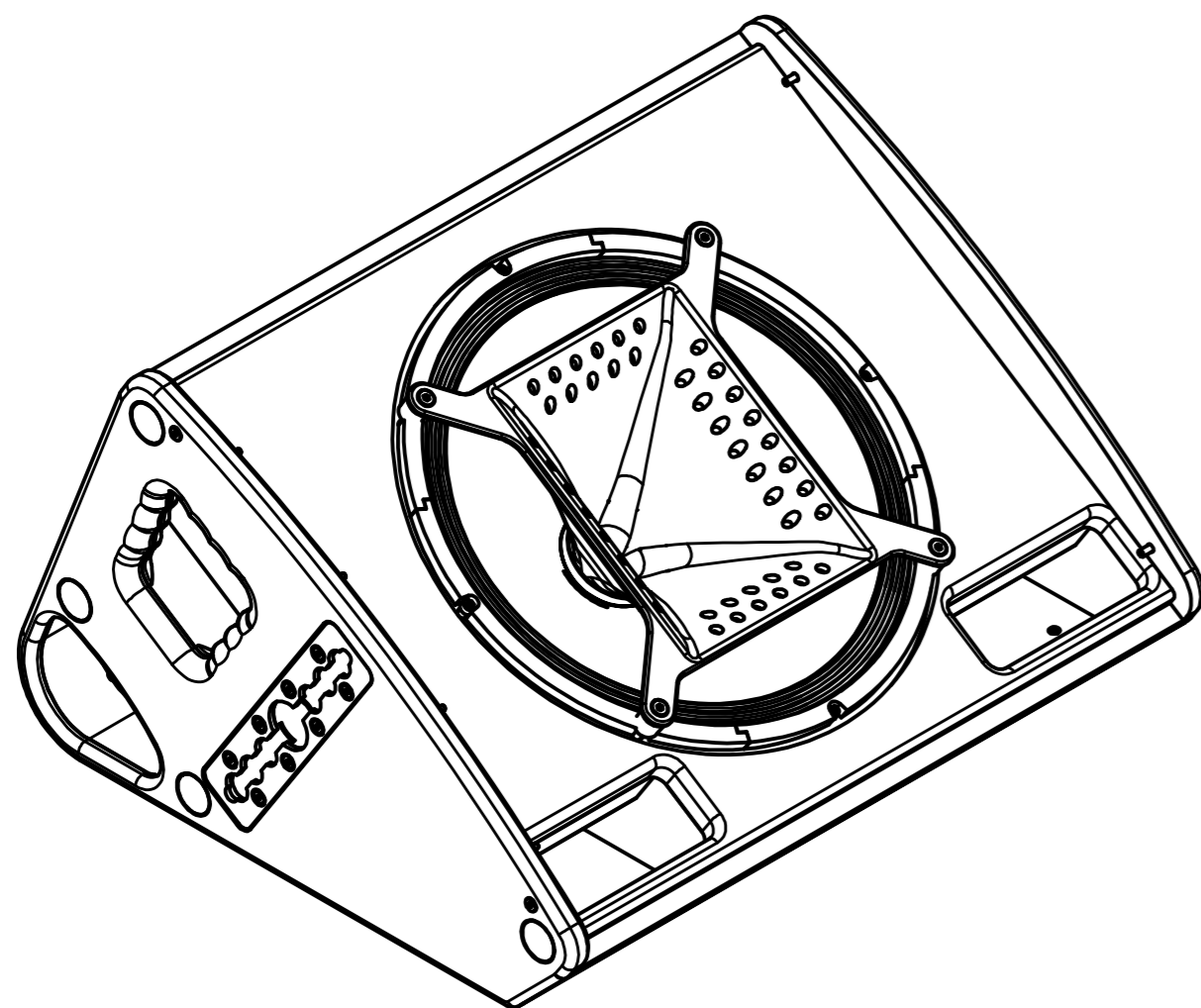
right view



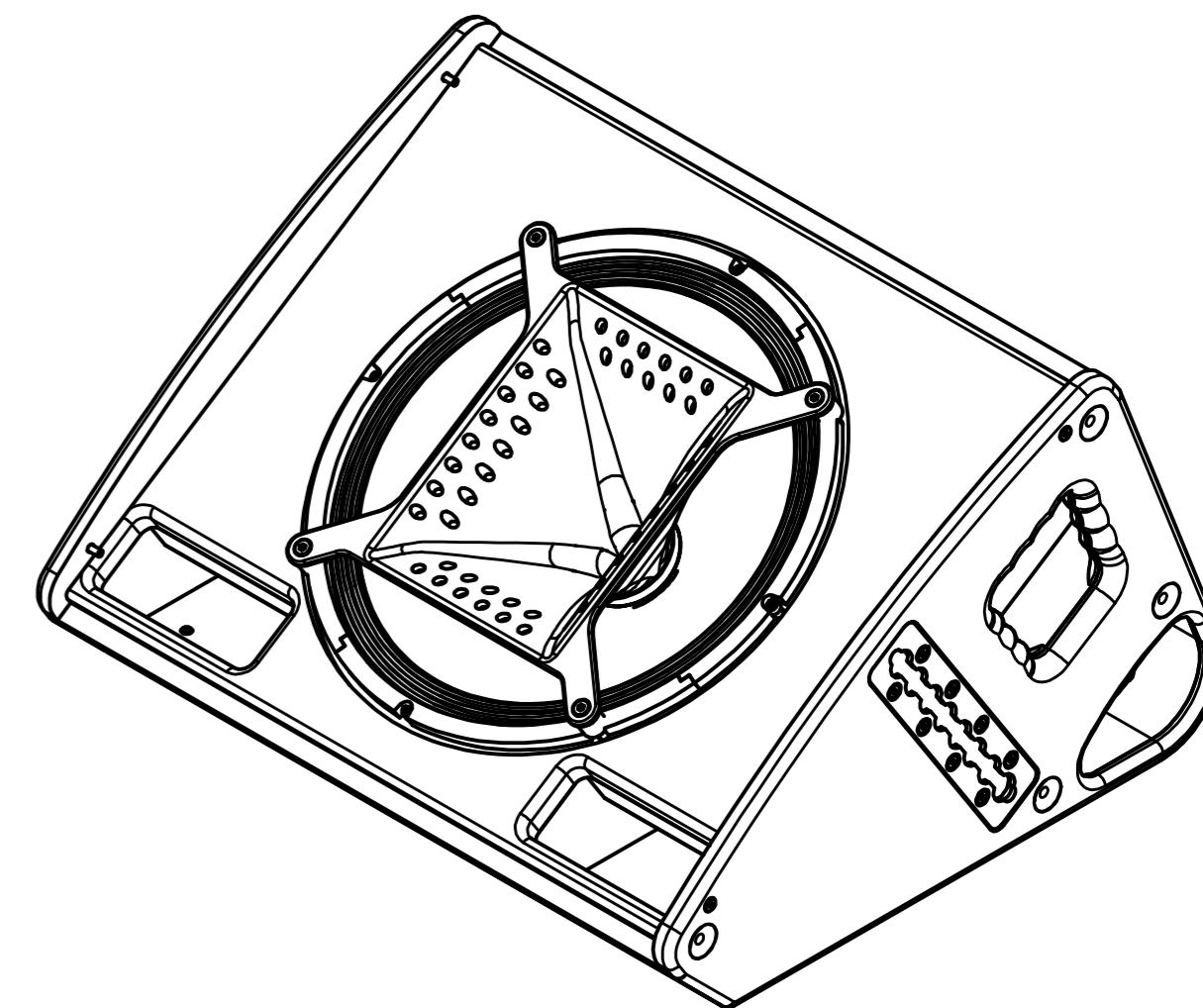
front view



left view



top view



0	rev. no.	description	date	modified by
		revision process		
		scale: 1:5		
		weight: 23 kg		
		document type: overview drawing		order number: C15
		status type: released		type: C15
		constructed: 24.01.2010	Stefan Ullrich	
		drawn: 07.11.2011	Stefan Ullrich	
		checked:		revision no: 0
		approved:		sheet: 1   1
		drawing number: TWA-C15-0001		Az
		C:\CAD_TW_AUDIO\CAD-Daten\Produkt\TWA\C15\C15.dwg		

**TWAUDIO**  
 Osterholzallee 140-2  
 71636 Ludwigsburg  
 www.twaudio.de

All rights to this drawing reserved in accordance with ISO 16016. Copying and distribution by manufacturer's permission only.

general tolerance  
 ISO 2768-mK  
 ISO 13920-BF  
 ISO 9013-IIA/K  
 according to ISO 8015

edges according to ISO 13715  
 surfaces (Ra)  
 array 2  
 array 3  
 DIN ISO 1302

revision no: 0  
 sheet: 1 | 1  
 Az