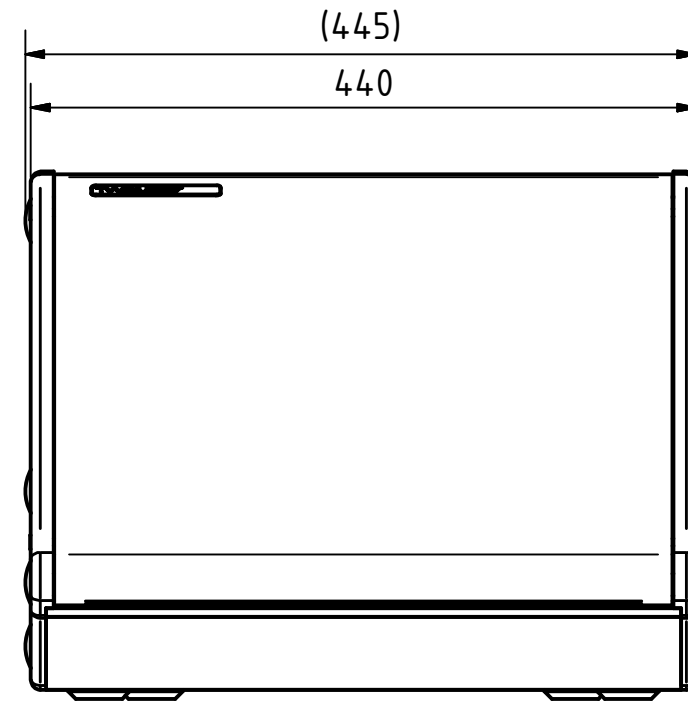
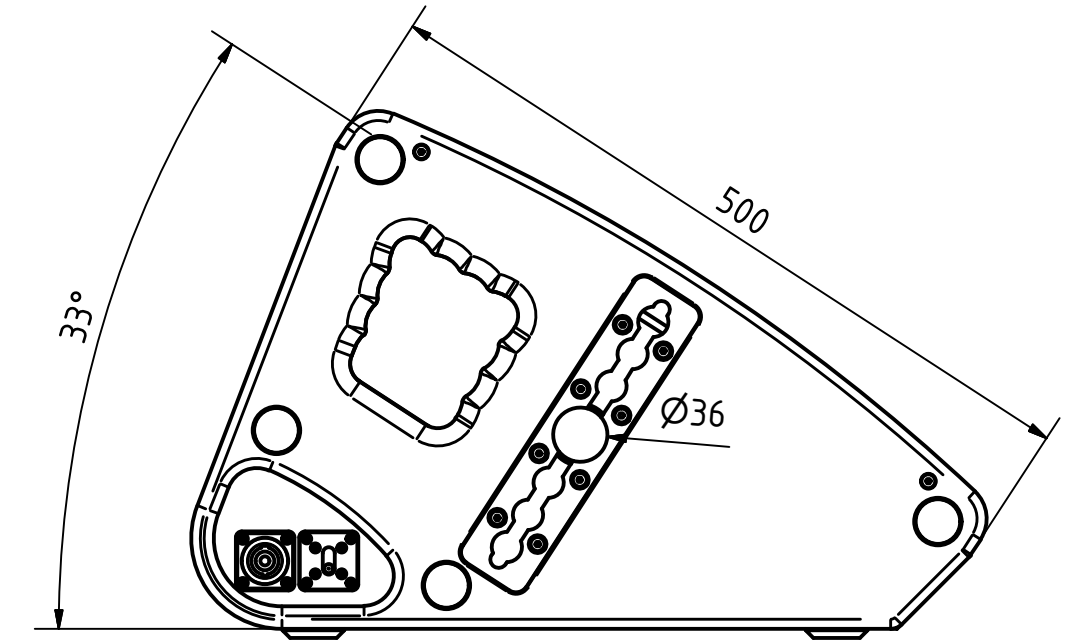


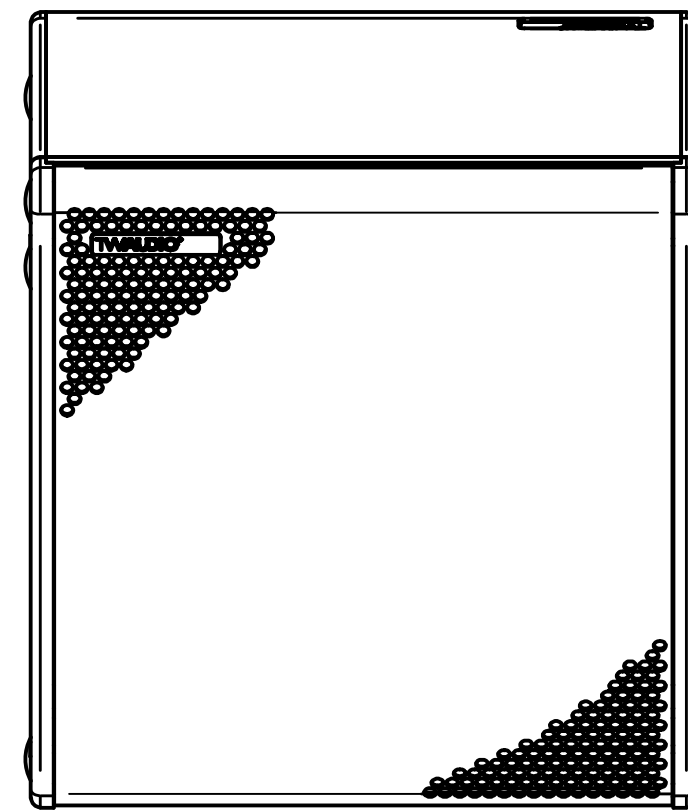
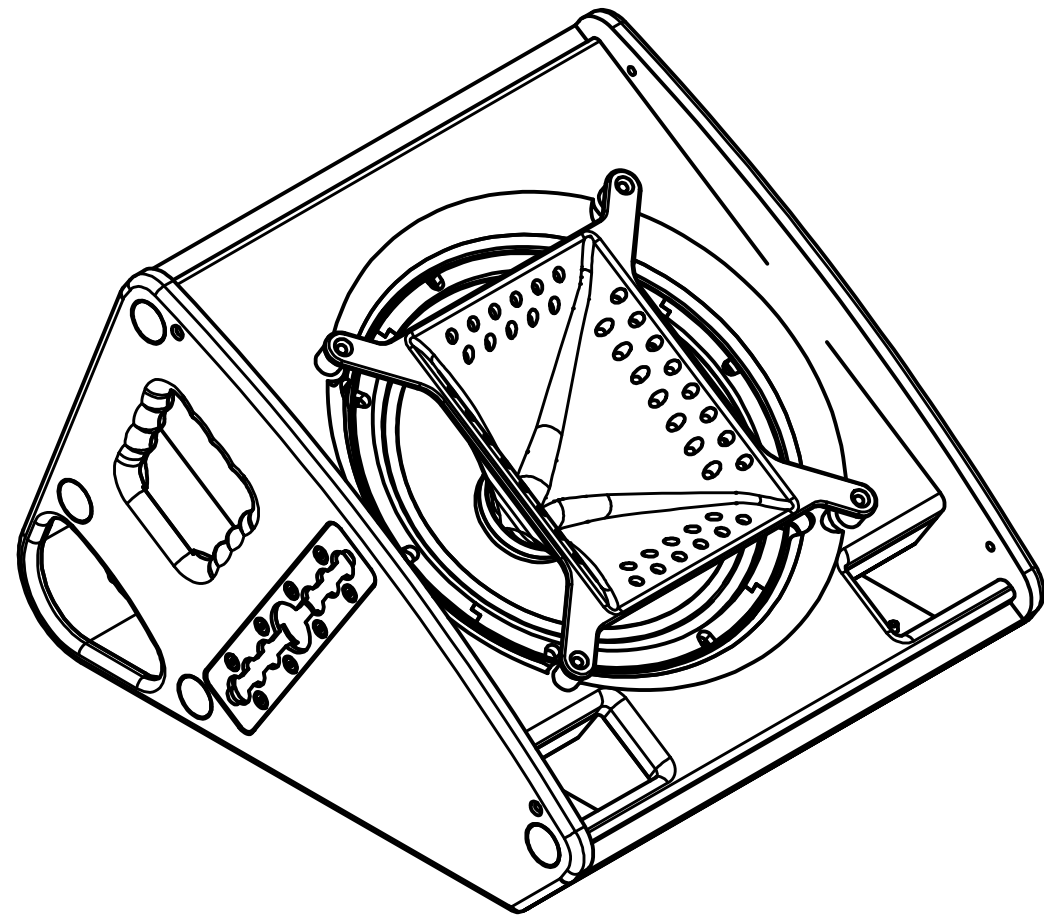
right view



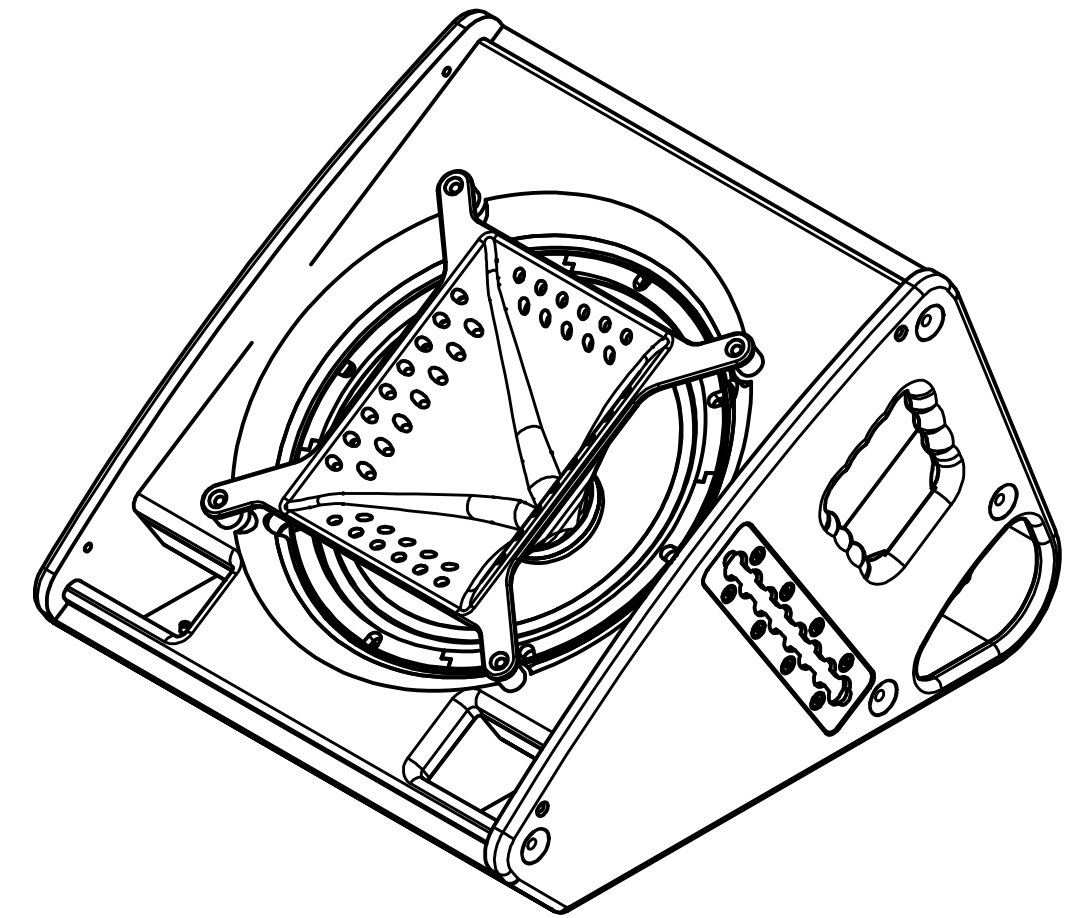
front view



left view



top view



rev. no.	description	date	modified by
0	revision process		
TWAUDIO Osterholzallee 140-2 71636 Ludwigsburg www.twaudio.de			
scale: 1:5 weight: 21 kg		order number: C12	
document type: overview drawing		type: C12	
status type: released			
date: 27.02.2013 name: Stefan Ullrich		date: 09.12.2013 name: Stefan Ullrich	
constructed: 27.02.2013 checked:		drawing number: TWA-C12-0001	
approved:		revision no: 0 sheet: 1/1 Az:	
<small>general tolerance according to ISO 2768-mK ISO 13920-BF ISO 9013-IIA/K according to ISO 8015</small>			
<small>edges according to ISO 13715 surfaces (Ra) array 2 array 3 according to DIN ISO 1302</small>			
<small>C:\CAD-TW-AUDIO\CAD-Daten\Entwicklung\12\C12-App.dwg</small>			