

SAFETY INFORMATION

Before you use this TW AUDIO product, read the manual carefully.

Loudspeakers can be checked and stamped according to BGV C1 by official departments. For more information contact TW AUDIO at info@twaudio.com or +49 (0) 71 41 - 48 89 89 0

GENERAL

The BSX is a horn-hybrid bass-reflex subwoofer loudspeaker, equipped with two 21" drivers.

The BSX can be used only with 4 wires speaker cables. First 21" transducer is driven from PIN1 while second 21" transducer from PIN2 according to Fig 4.

BSX as default is available in black colour and warnex structure paint. Any different RAL color can be requested.

BSX is designed to be driven by amplifier equipped with DSP.

There are 2 presets response user may chose between:

1. BSX in infra mode (usally combined together with other TW AUDIO subwoofers in one system)
2. BSX in full mode (usually as main subwoofer in system)

TW AUDIO offers presets for the Powersoft K-DSP AESOP or LAB PLM system amplifiers. As an external controller for other amps it's recommended to use the LAKE LM26 or LM44.

BSX always requires a dedicated preset loaded on the amplifier/controller. Do never use the BSX without this preset. Always be aware to have the correct preset loaded on your system amplifier before connecting the loudspeaker. Ensure that the internal connections in the amplifier rack are identical to shown on Fig 2.

COMBINATION WITH OTHER PRODUCTS

BSX can be combined with any TW AUDIO product. Be sure about proper time alignment.

BSX can only be groundstacked. There is no hardware allows to fly this subwoofer.

Please see system examples papers on www.twaudio.com for system combinations and setup examples.

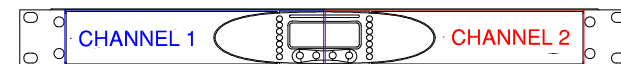
If you have any questions about your product don't hesitate to contact TW AUDIO on support@twaudio.com or by phone +49 (0) 71 41 - 48 89 89 56

BSX		
Frequency range	[Hz]	27 - 120
Power pgm/peak	[W]	2x 3600 / 2x 10000
Impedance	[Ohm]	2x 4
Dispersion pattern		standard or cardioid by CSA
Sensitivity	[dB]	99
max SPL	[dB]	142
Dimensions	[mm]	606x 1406x 900
Weight	[kg]	109

FIG 1. PRESETS / REFERED TO PRESETLIST A03

preset list
 speaker 1 (PIN1) or speaker 2 (PIN2)
 frequency response range: infra / full
 Cardioid Subwoofer Array: facing rear
 speaker model: B or S

BSX-CSA-infra-S1 _____ BSX-CSA-infra-S2__A03



PRESET NAME	
CHANNEL 1	CHANNEL 2
BS30	
BSX-infra-S1 _____	BSX-infra-S2__A03
BSX-CSA-infra-S1 _____	BSX-CSA-infra-S2__A03
BSX-full-S1 _____	BSX-full-S2__A03
BSX-CSA-full-S1 _____	BSX-CSA-full-S2__A03

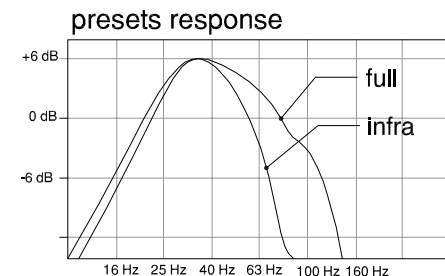


FIG 2. APL4-K AMPLIFIER RACK

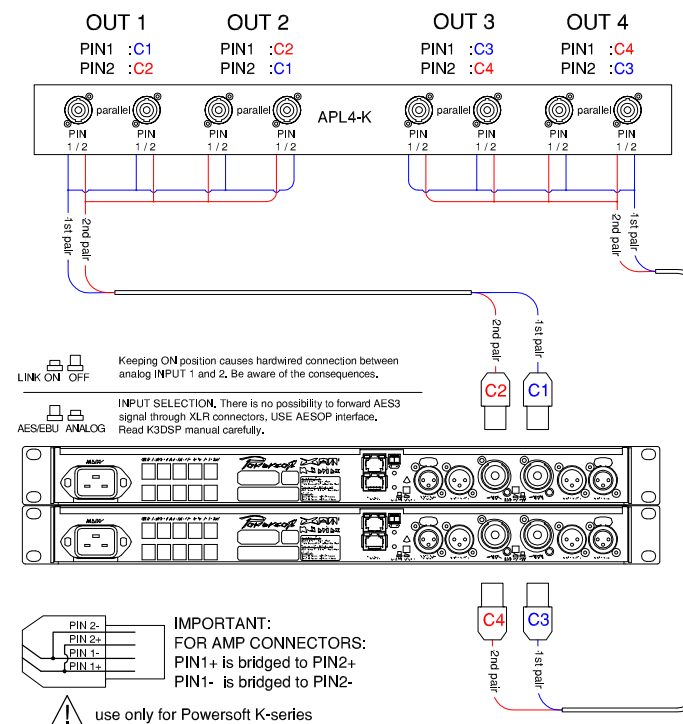
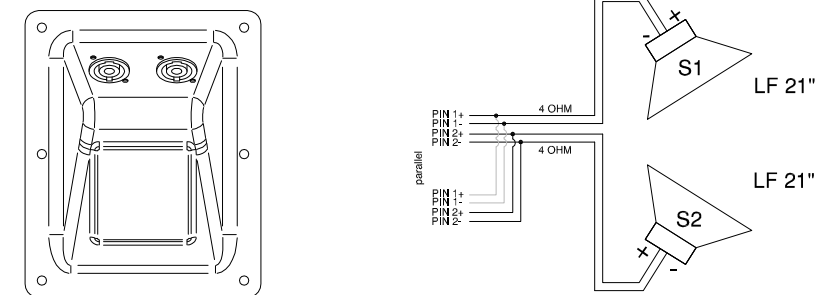
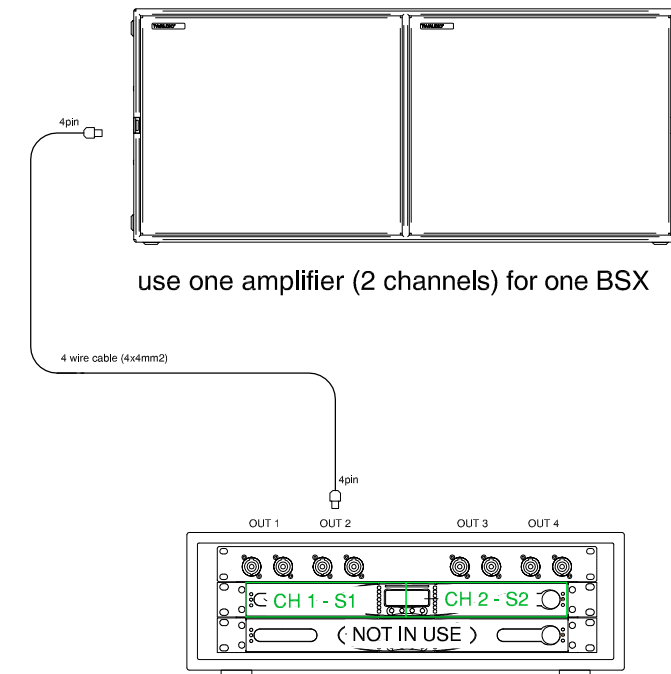


FIG 4. INTERNAL WIRING DIAGRAM



BSX

FIG 5. BSX - CONNECTION TO AMPLIFIER SYSTEM



***NOTE:**

It is strongly not recommended to link BSXs together, because of its power requirements and 4 Ohm impedance.

FIG 6. BSX - CARDIOID SUBWOOFER ARRAY OPERATION

CSA presets were optimized for following BSXs configuration:

