

SAFETY INFORMATION

Before you use this TW AUDIO product, read the manual carefully.

Loudspeakers can be checked and stamped according to BGV C1 by official departments. For more information contact TW AUDIO at info@twaudio.com or +49 (0) 71 41 - 48 89 89 0

GENERAL

The B18 is a band-pass subwoofer loudspeaker, equipped with single 18" driver unit.

B18 as default is available in black colour and warnex structure paint. Any different RAL color can be requested.

B18 is designed to be driven with a DSP equipped amplifier. TW AUDIO provides presets for the Powersoft K3DSP AESOP or LAB PLM system amplifiers. As an external controller for other amps it's recommended to use the LAKE LM26 or LM44.

B18 always requires a dedicated preset loaded on the amplifier/controller. Do never use the B18 without this preset. Always be aware to have the correct preset loaded on your system amplifier before connecting the loudspeaker. Ensure that the internal connections in the amplifier rack are identical to shown on Fig 2.

BE AWARE. There are different possibilities to connect B18 to APL4/amplifier. In standard configuration (rear side sockets) B18 is driven from PIN2, while front side sockets deliver signal on PIN1. Study FIG 4. carefully.

COMBINATION WITH OTHER PRODUCTS

B18 can be combined with any TW AUDIO full-range products. According to that many different presets are available (study FIG 1 for more details) Be sure about proper time alignment.

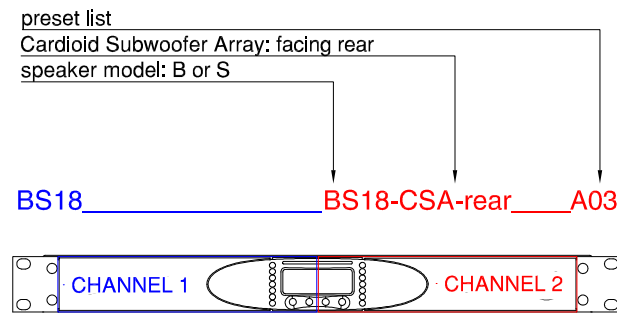
B18 can only be groundstacked. There is no hardware allows to fly this subwoofer. There is second enclosure variant, S18, which let you do that, search for S18 on www.twaudio.de website.

Please see system examples papers on www.twaudio.com for system combinations and setup examples.

If you have any questions about your product don't hesitate to contact TW AUDIO on support@twaudio.com or by phone +49 (0) 71 41 - 48 89 89 56

B18		
Frequency range	[Hz]	32 - 160
Power pgm/peak	[W]	2400 / 4800
Impedance	[Ohm]	8
Dispersion		standard or cardioid by CSA
Sensitivity	[dB]	96
max SPL	[dB]	132
Dimensions	[mm]	606x506x800
Weight	[kg]	38

FIG 1. PRESETS / REFERED TO PRESETLIST A03



PRESET NAME	
CHANNEL 1	CHANNEL 2
BS18	
BS18	BS18 _____ A03
BS18	BS18-CSA-rear ___ A03
BS18	M8-cut _____ A03
BS18	M10-cut _____ A03
BS18	M12-cut _____ A03
BS18	M15-cut _____ A03
BS18	C12-cut _____ A03
BS18	C15-cut _____ A03

FIG 2. APL4-K AMPLIFIER RACK

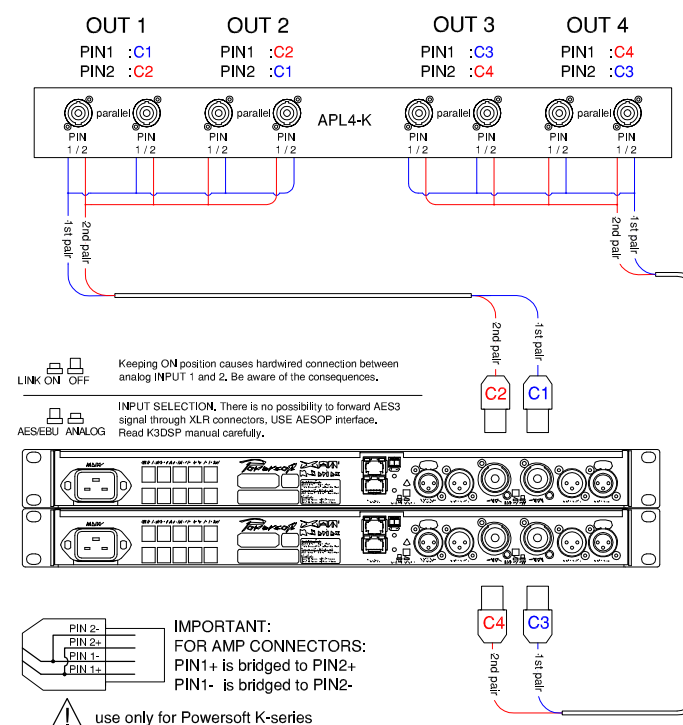


FIG 4. INTERNAL WIRING DIAGRAM

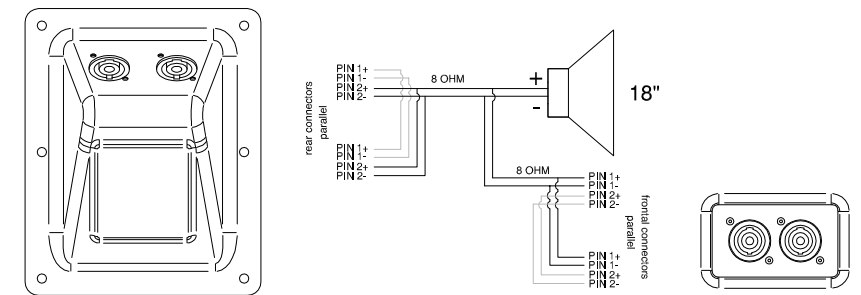


FIG 5. B18 - CONNECTION TO AMPLIFIER SYSTEM

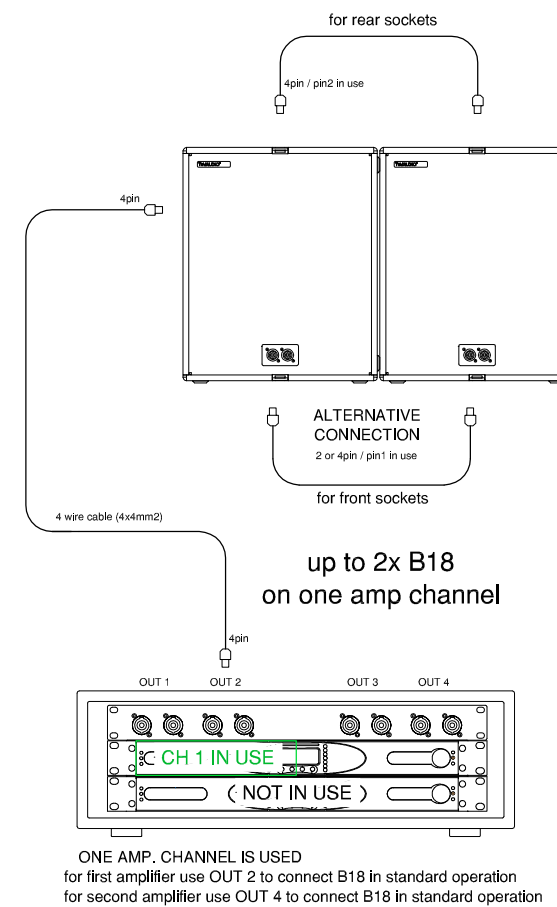
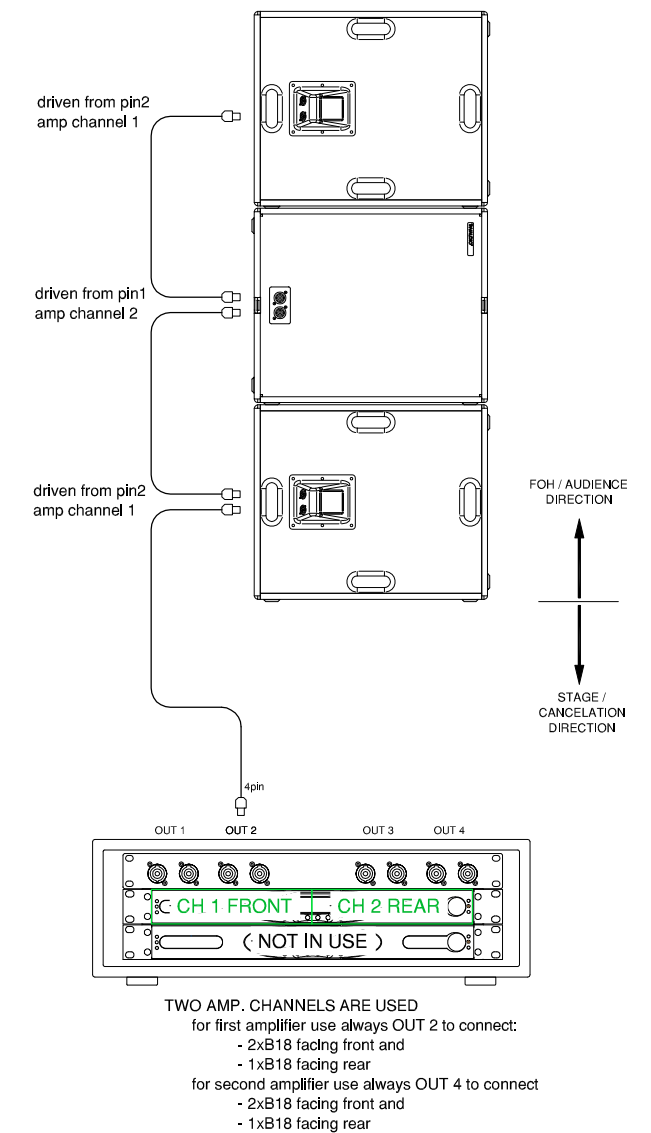


FIG 6. B18 - CSA CONNECTION REAR SIDE OF ARRAY VIEW



***NOTE:**

- for long term high SPL requirements drive two B18s on one POWERSOFT K3DSP (4 OHM operation)
- for lower SPL requirements, it is possible to drive 3 to 4 boxes on POWERSOFT K3DSP(2,6 / 2 OHM operation)