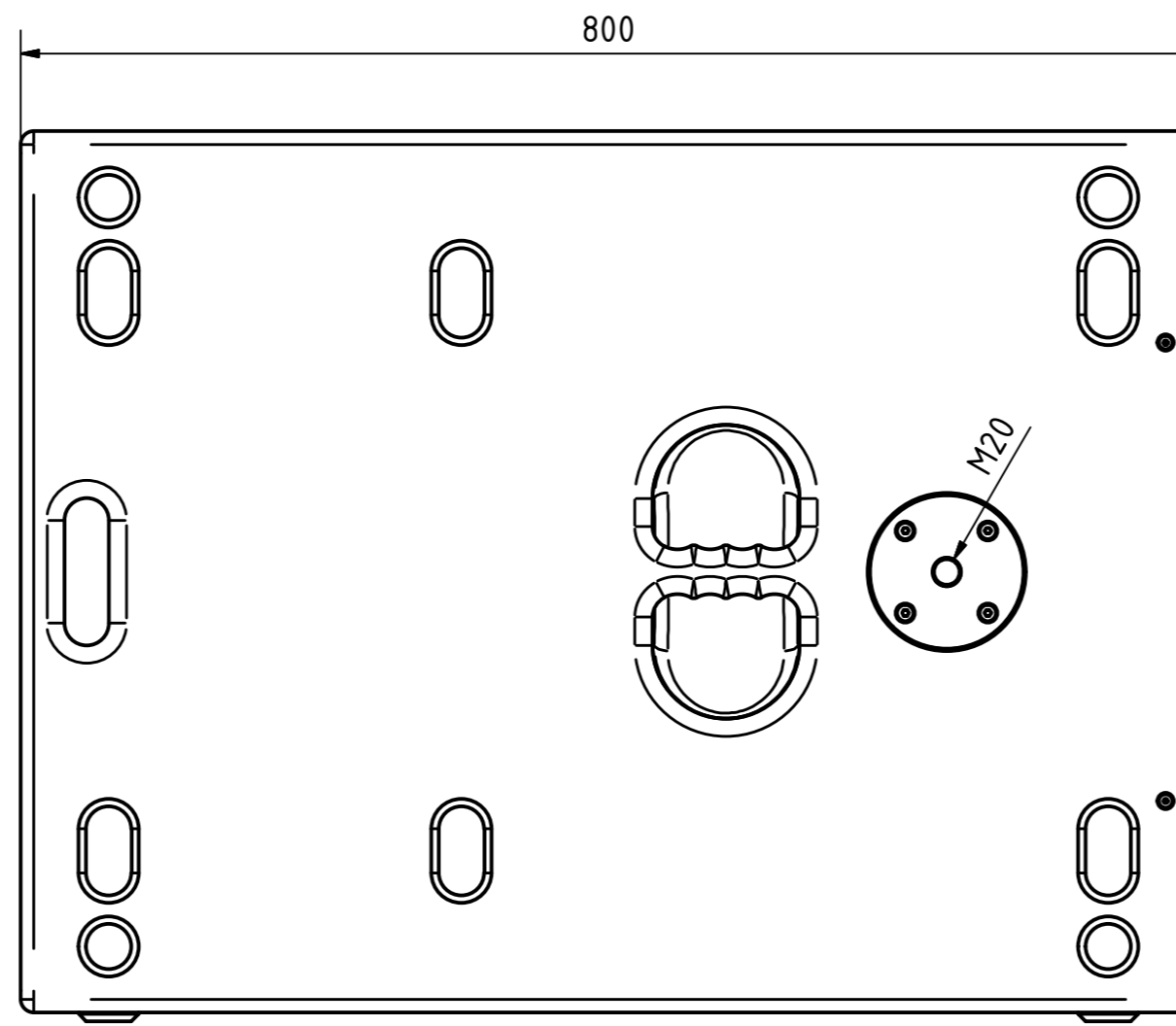
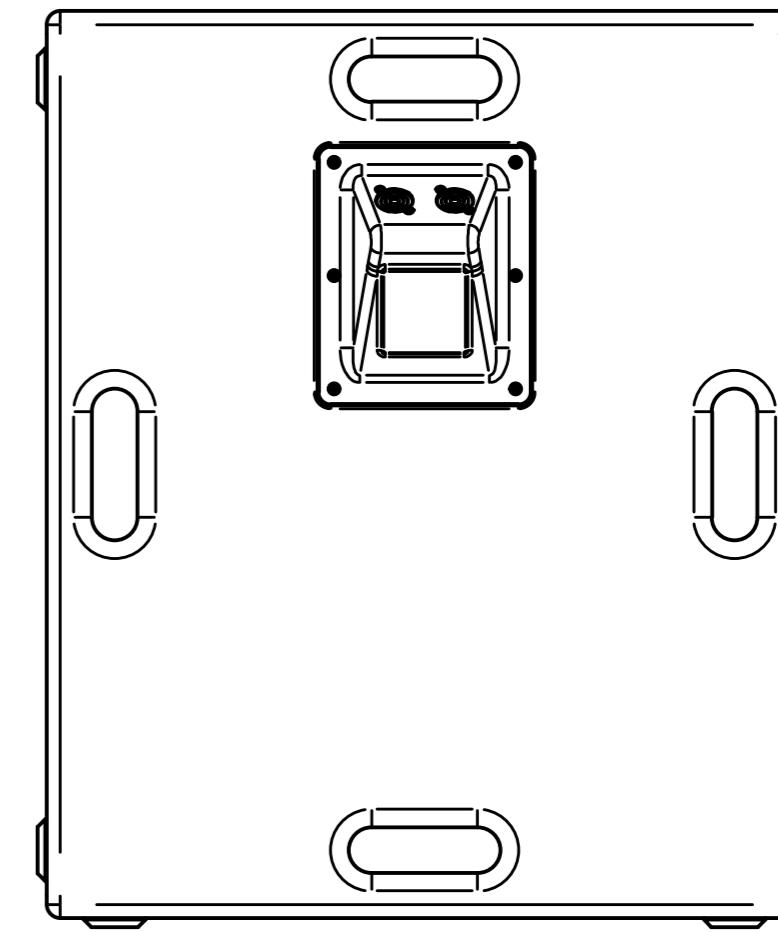


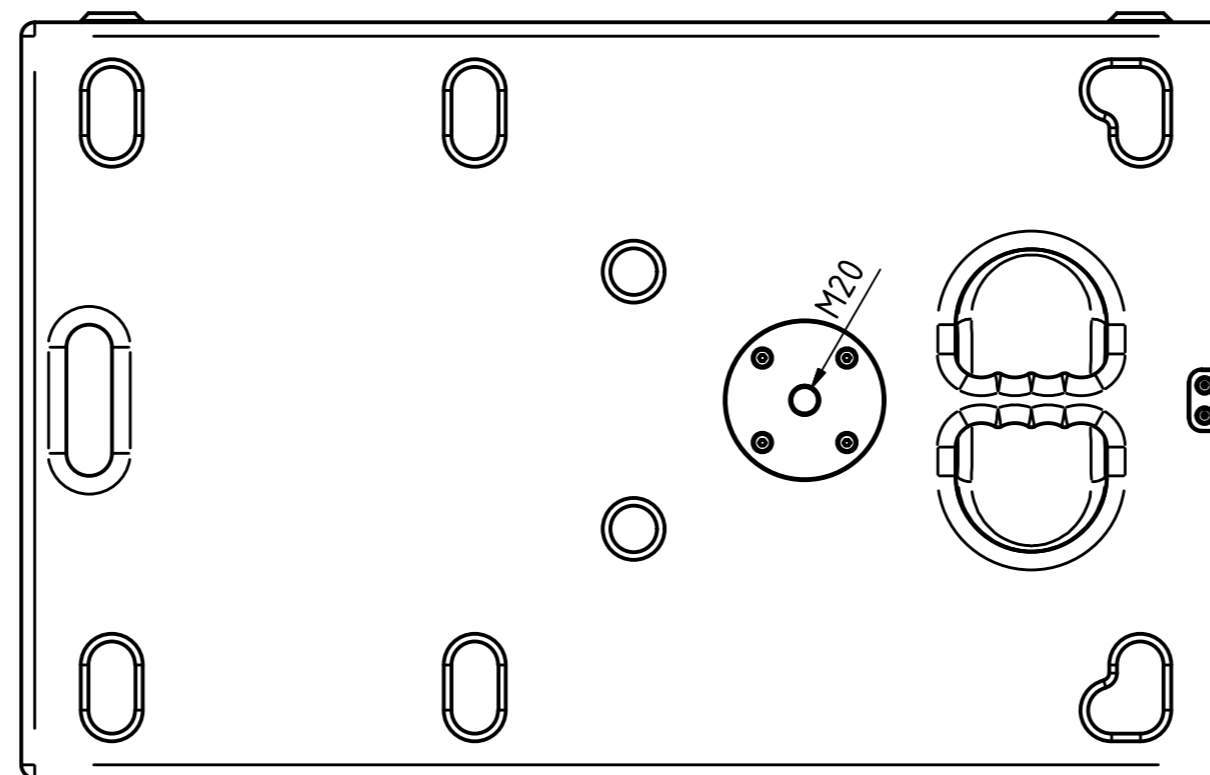
front view



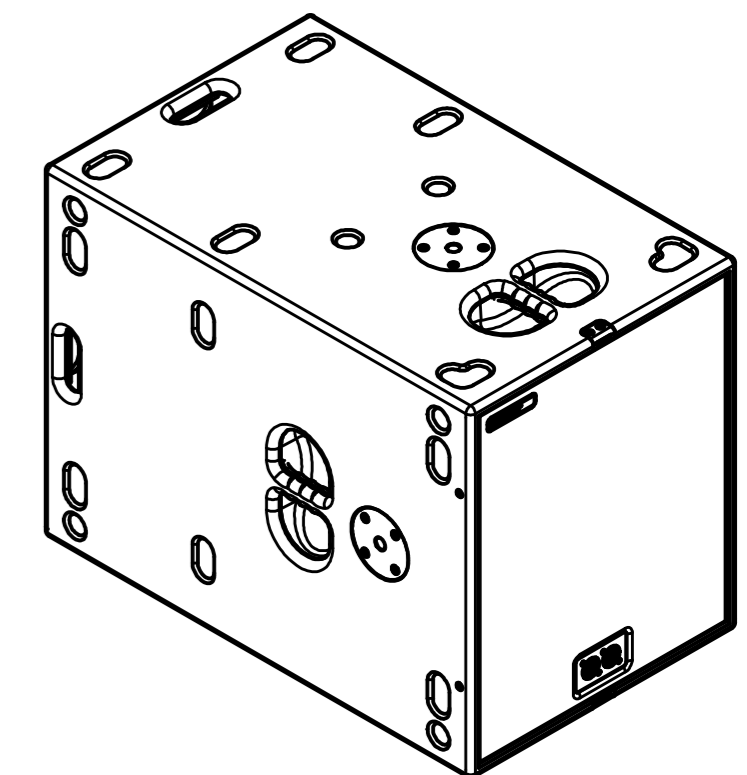
left view



back view



top view



0				
rev. no.	description	date	modified by	
			revision process	
TWAUDIO		scale: 1:5 (1:10)		
Osterholzallee 140-2 71636 Ludwigsburg www.twaudio.de		weight: 43,5 kg		
All rights to this drawing reserved in accordance with ISO 16016. Copying and distribution by manufacturer's permission only.		document type: overview drawing	order number: B18	
general tolerance ISO 2768-mK ISO 13920-BF ISO 9013-IIA/K according to ISO 8015		status type: released	type: Subwoofer B18	
edges according to ISO 13715 surfaces (Ra) array 2 array 3 DIN ISO 1302		date: 14.01.2013 name: Stefan Ullrich		
		date: 29.07.2013 name: Tim Reisinger		
		checked: approved:	drawing number: TWA-B18-0001	
			revision no: 0 sheet: 1/1	
			Az	