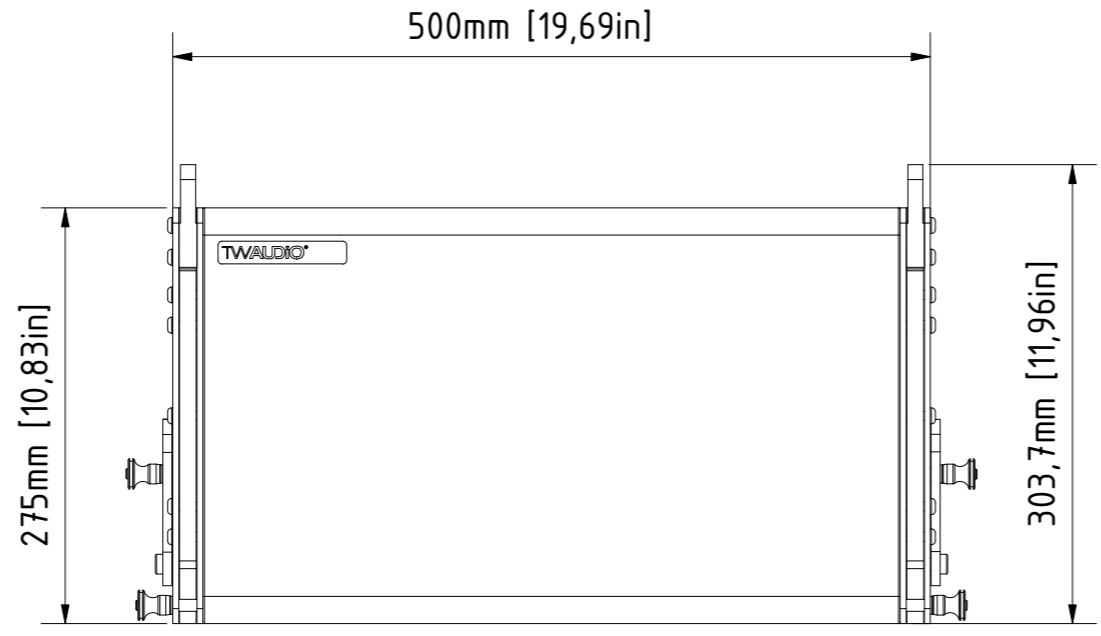


355mm [13,98in]

bottom view

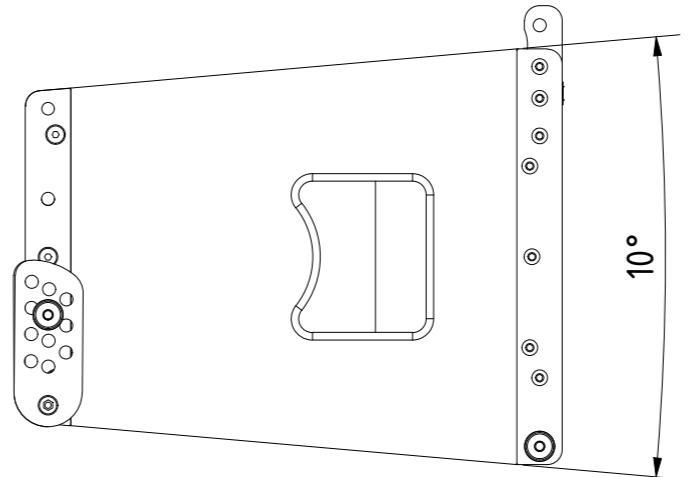


500mm [19,69in]

275mm [10,83in]

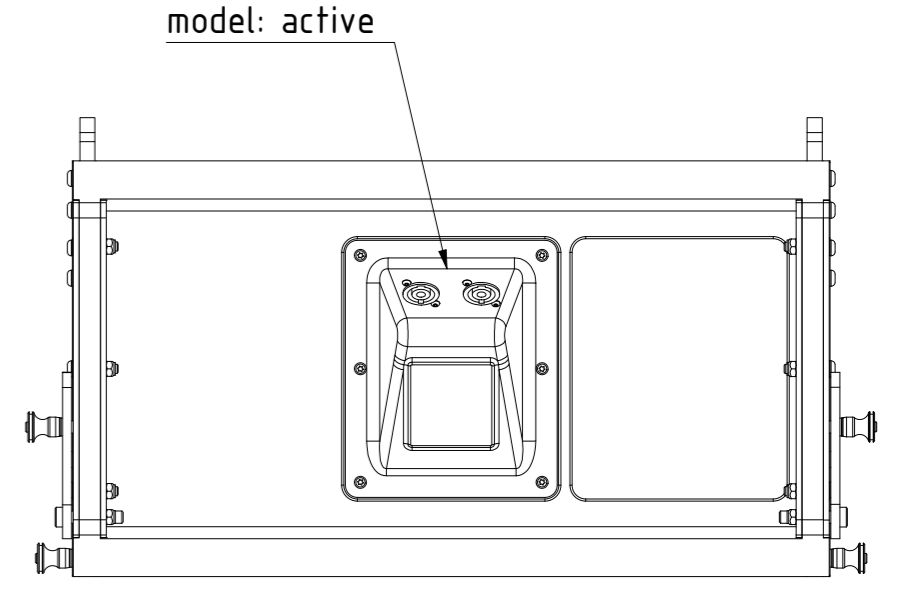
303,7mm [11,96in]

front view



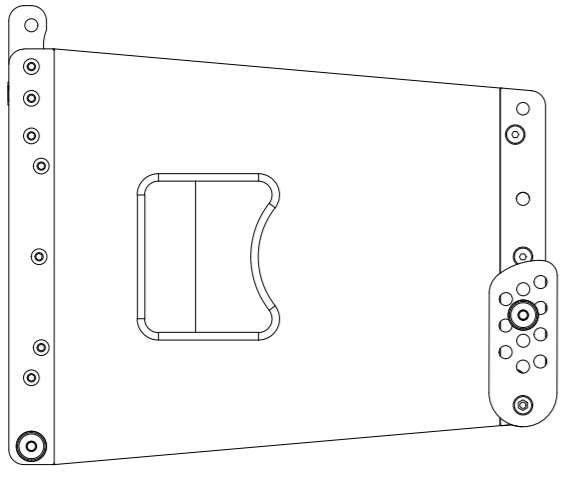
10°

left view

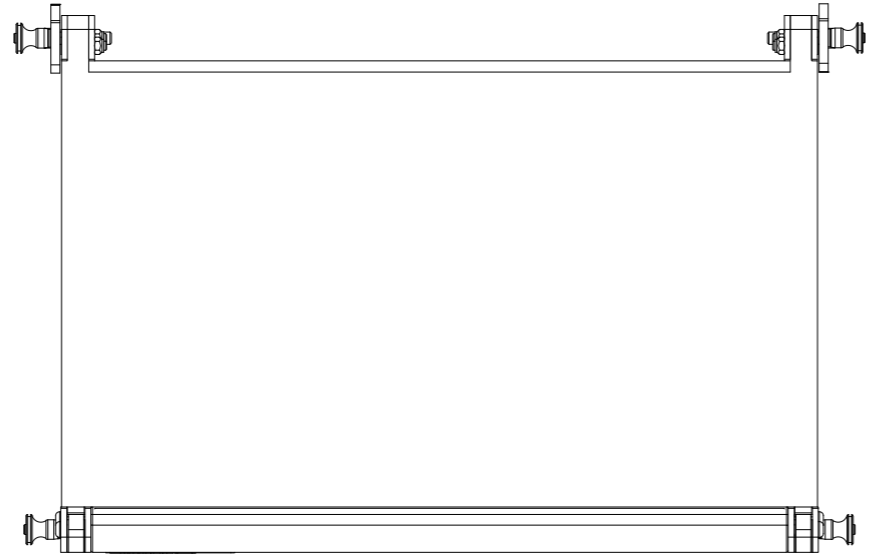


model: active

rear view



right view



top view

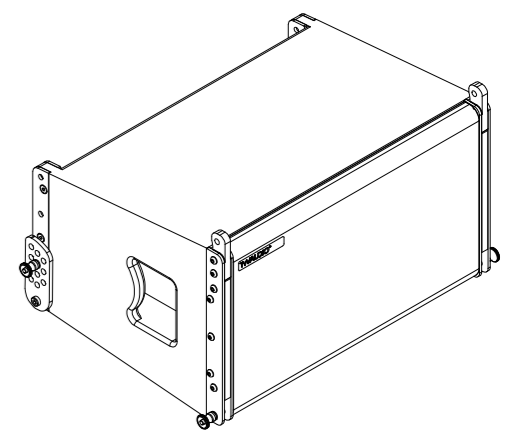


table	
model	weight
active	16 kg [36 lbs]
passive	18 kg [40 lbs]

0		06.05.2019	Heike Konrad
Rev.	Beschreibung	Datum	Geändert von
REVISIONSVERLAUF			
TWAUDIO Osterholzallee 140-2 71636 Ludwigsburg www.twaudio.de		scale: weight: weight see table document type: overview drawing status type: released	order number: type: VERA10
All rights to this drawing reserved in accordance with ISO 16016. Copying and distribution by manufacturer's permission only.		date: 22.09.2009 name: Stefan Ullrich date: 19.11.2009 name: Stefan Ullrich	drawing number: TWA-VERA10-0001
general tolerance ISO 2768-mK ISO 13920-BF ISO 9013-IIA/K according to ISO 8015	edges according to ISO 13715 surfaces (Ra) array 2 array 3 according to DIN ISO 1302	checked: approved: 06.05.2019 Heike Konrad	revision no.: 0 sheet: 1 of: 1 AZ
<small>C:\CAD TWAUDIO\CAD-Daten\Produkte\Verat10\Verat10.dwg</small>			