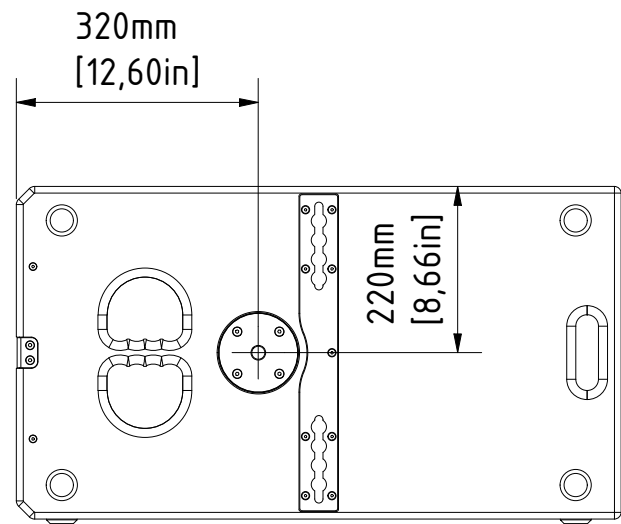
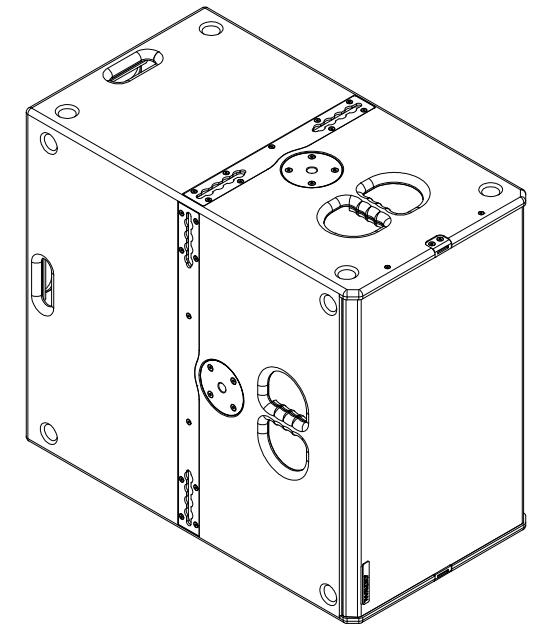
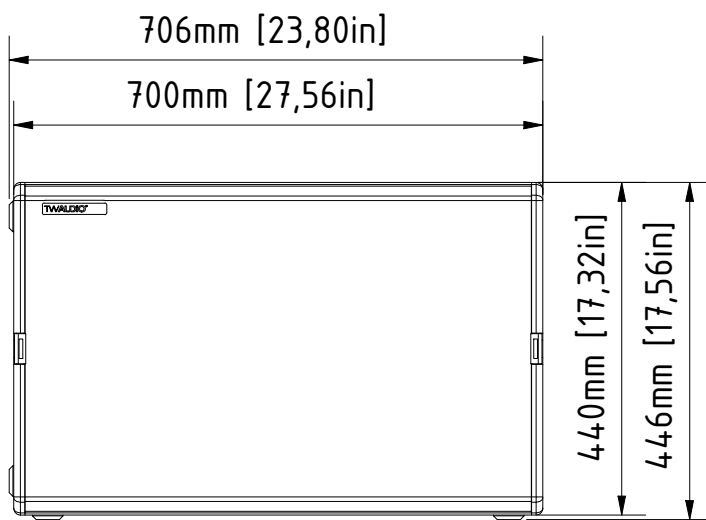


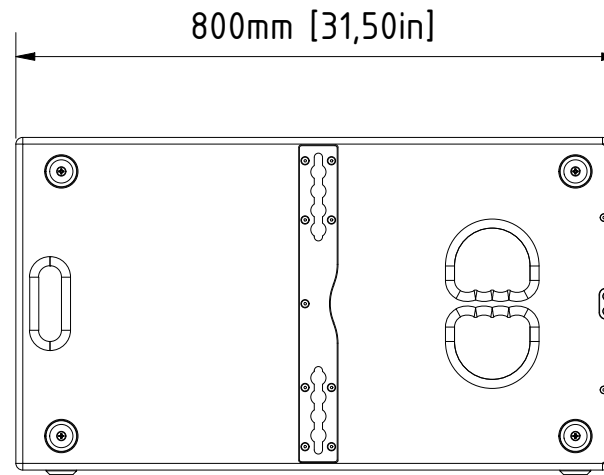
bottom view



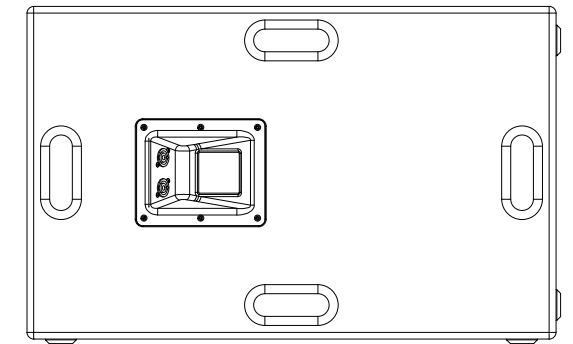
right view



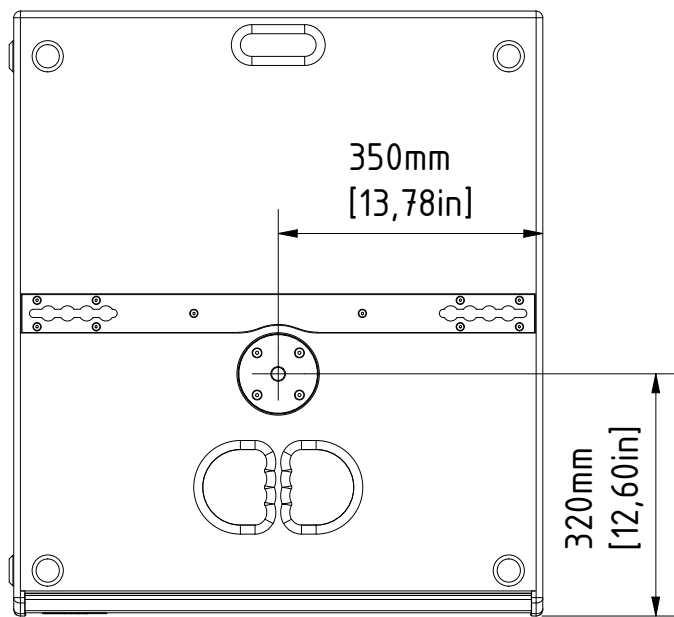
front view



left view



rear view



top view

0			08.05.2019	Heike Konrad
Rev.	Beschreibung		Datum	Geändert von
REVISIONSVERLAUF				
<b>TWAUDIO®</b> Osterholzallee 140-2 71636 Ludwigsburg www.twaudio.de		scale:		
		weight:	42 kg [93 lbs]	
All rights to this drawing reserved in accordance with ISO 16016. Copying and distribution by manufacturer's permission only.		document type:	overview drawing	
		status type:	released	
general tolerance ISO 2768-mK ISO 13920-BF ISO 9013-IIA/K according to ISO 8015		edges according to ISO 13715		
		surfaces (Ra)	array 2 array 3 DIN ISO 1302	
constructed: 14.02.2009 Stefan Ullrich drawn: 18.11.2009 Stefan Ullrich checked: approved: 08.05.2019 Heike Konrad		order number:	S30	
		type:	VERA S30	
C:\CAD TW AUDIO\CAD-Daten\Produkte\Veras30\VS30.lam		Übersichtszeichnung		revision no.:
		TWA-S30-0001		sheet:
				0
				1   1
				A3