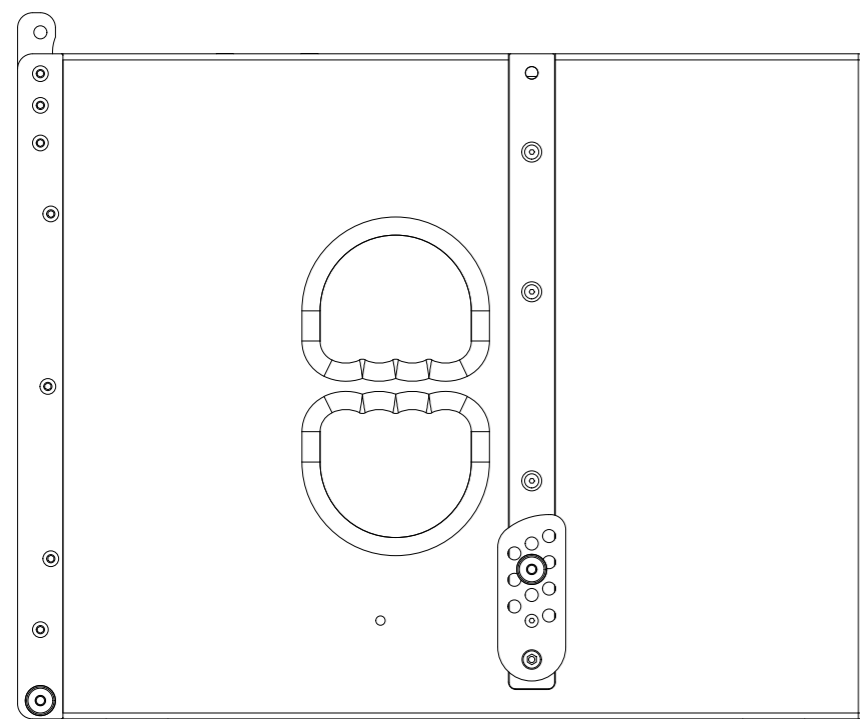
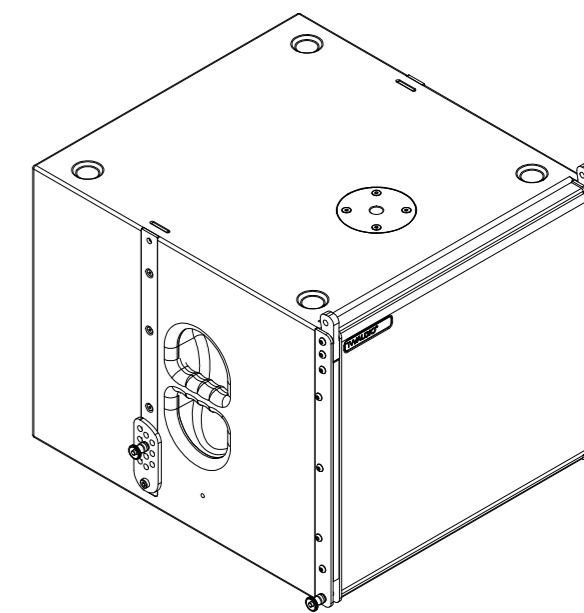
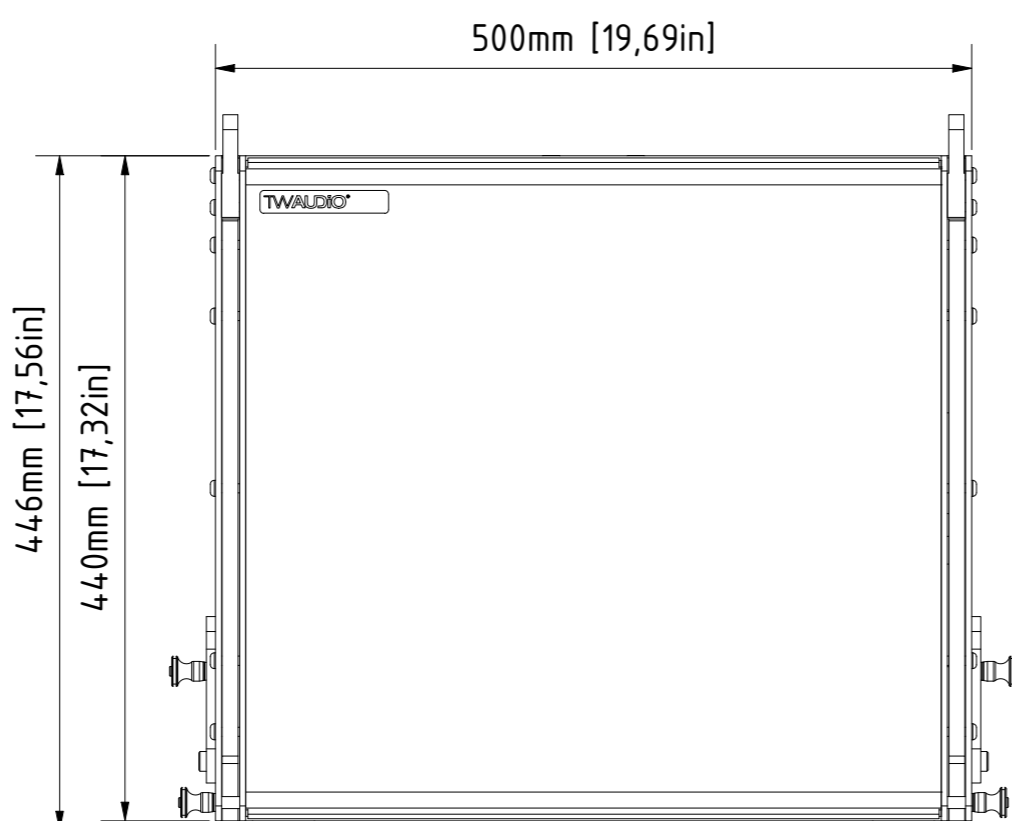


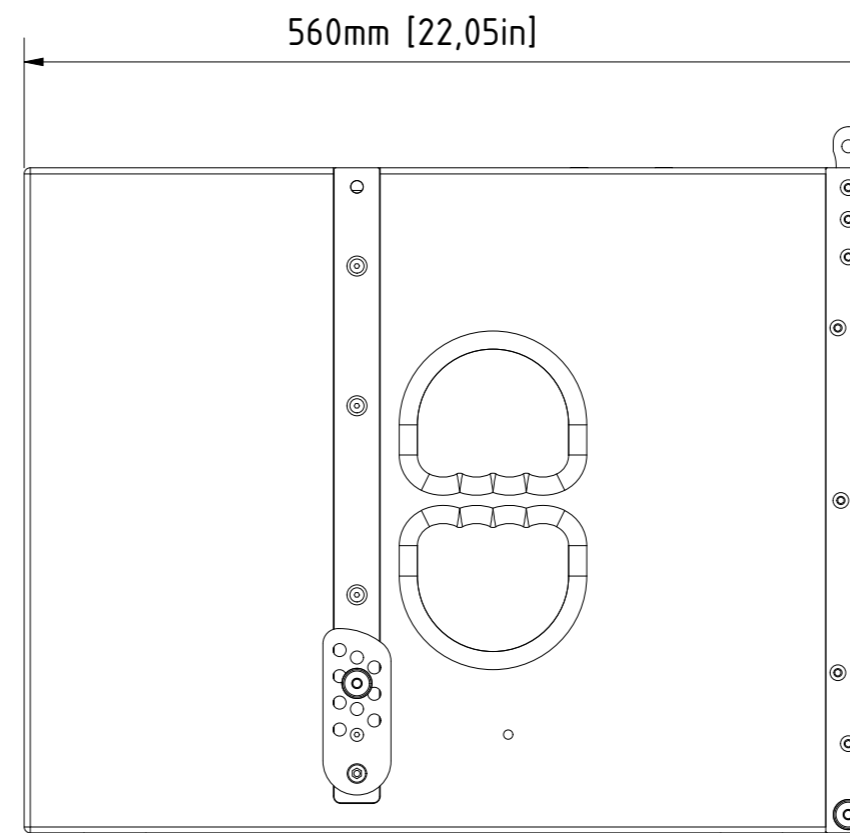
bottom view



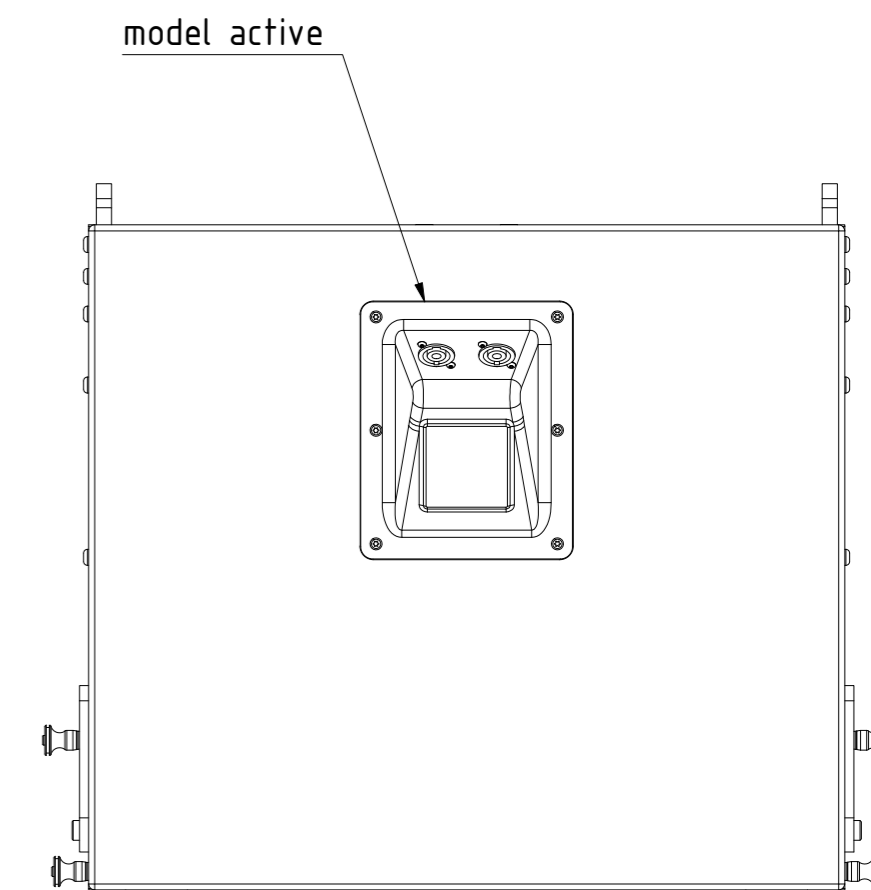
right view



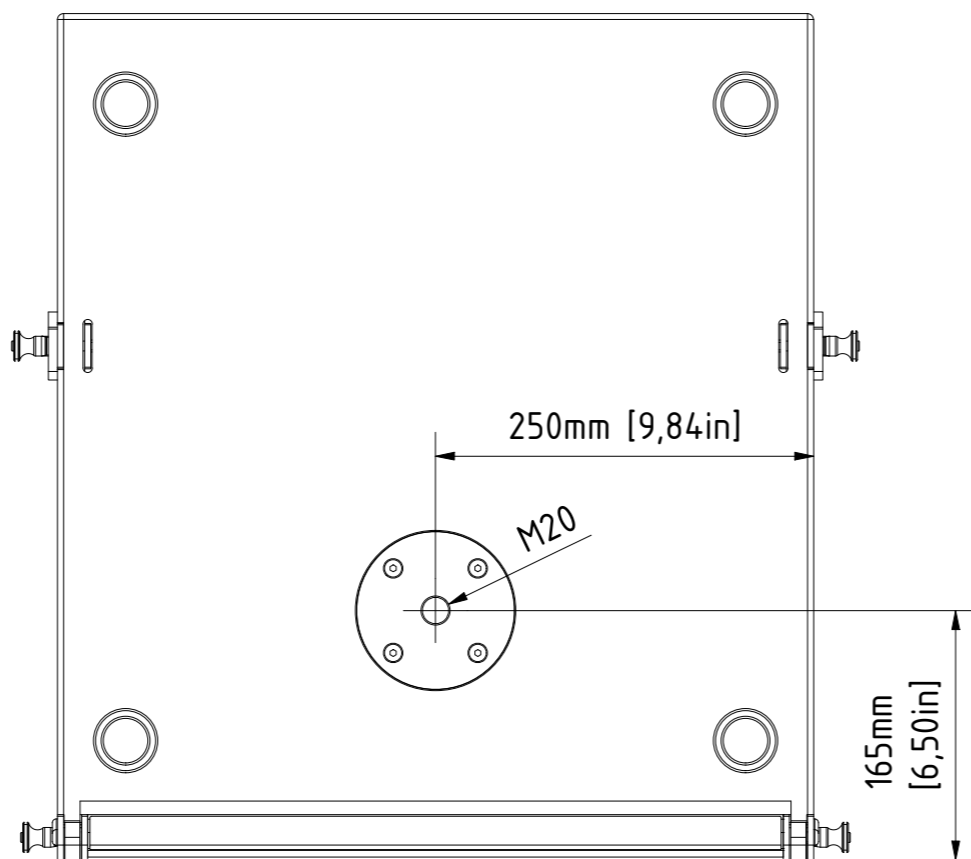
front view



left view



rear view



top view

table	
model	weight
active	23 kg [51 lbs]
passive	25,3 kg [56 lbs]

0		08.05.2019	Heike Konrad
Rev.	Beschreibung	Datum	Geändert von
REVISIONSVERLAUF			
TWAUDIO Osterholzallee 140-2 71636 Ludwigsburg www.twaudio.de		scale:	
All rights to this drawing reserved in accordance with ISO 16016. Copying and distribution by manufacturer's permission only.		weight:	weight see table
general tolerance ISO 2768-mK ISO 13920-BF ISO 9013-IIA/K according to ISO 8015		document type:	overview drawing
edges according to ISO 13715 surfaces (Ra) array 2 array 3 DIN ISO 1302		status type:	released
		date	name
		constructed	24.07.2009 Stefan Ullrich
		drawn:	19.11.2009 Stefan Ullrich
		checked:	
		approved:	08.05.2019 Heike Konrad
		drawing number:	VERA S15
		revision no.:	0
		sheet:	1
		of:	Az
		drawing number:	TWA-S15-0001