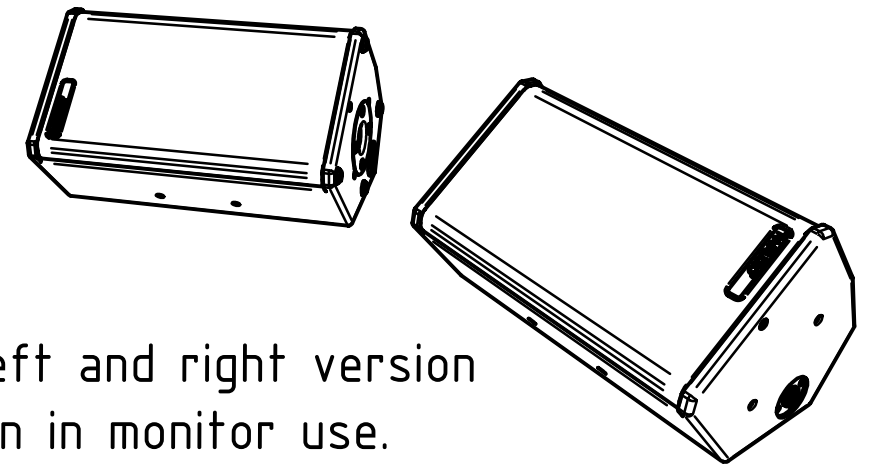
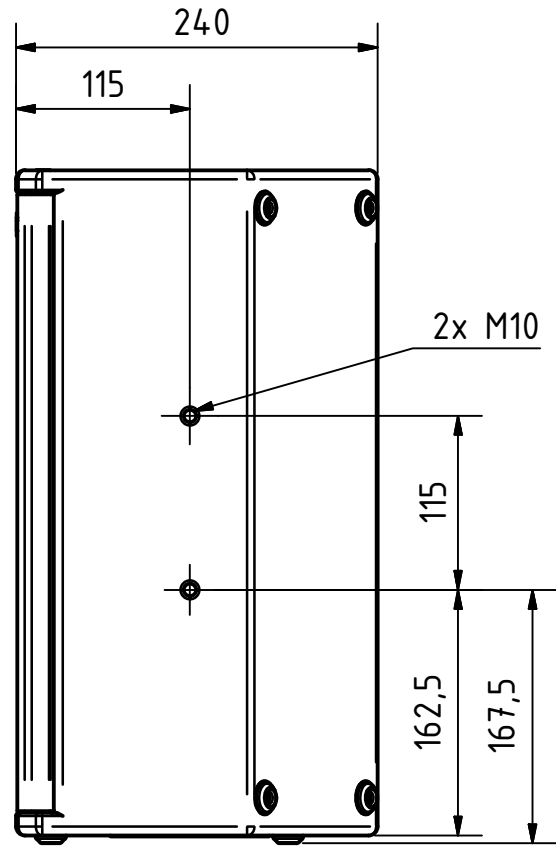


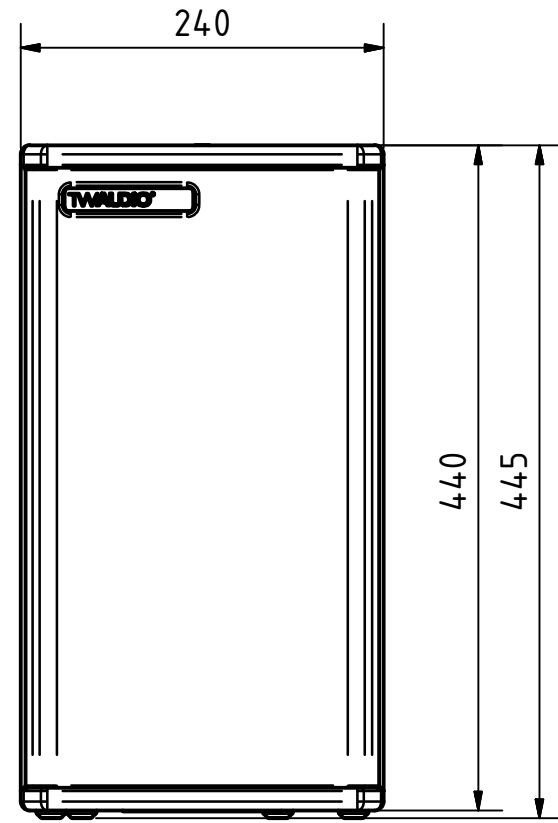
bottom view



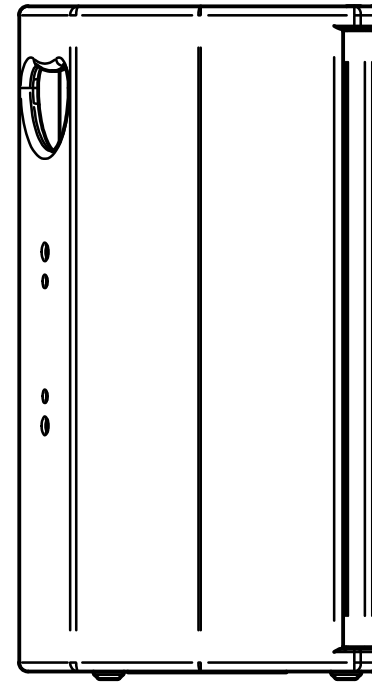
M8 left and right version shown in monitor use.



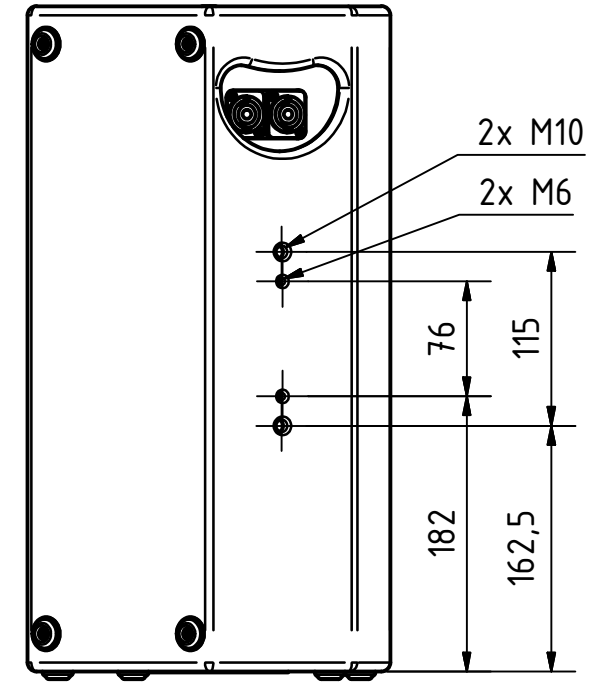
right view



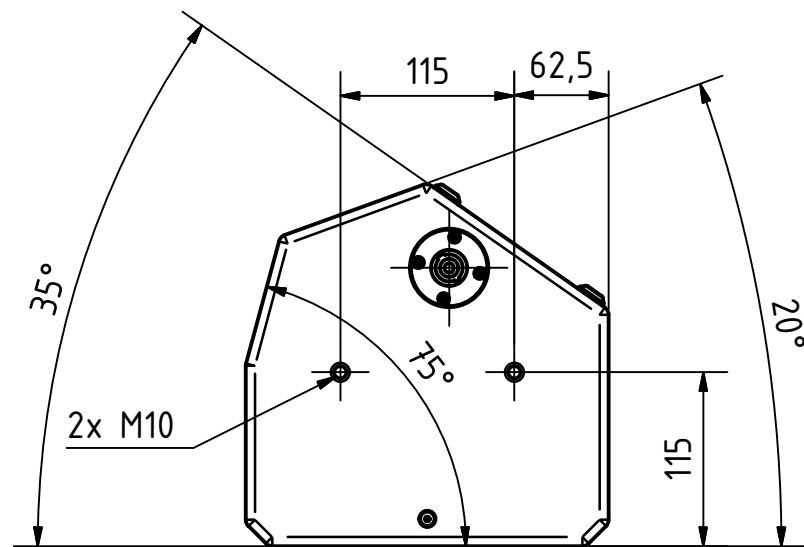
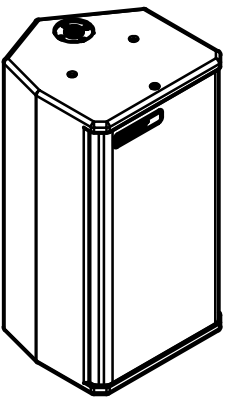
front view



left view



rear view



top view

0			29.10.2018	Heike Konrad
rev. no.		description	date	modified by
revision process				
TWAUDIO Osterholzallee 140-2 71636 Ludwigsburg www.twaudio.de		scale:		
		weight:	10,0 kg	
All rights to this drawing reserved in accordance with ISO 16016. Copying and distribution by manufacturer's permission only.		document type:	overview drawing	
		status type:	released	
general tolerance ISO 2768-mK ISO 13920-BF ISO 9013-IIA/K according to ISO 8015		constructed:	18.11.2009	Stefan Ullrich
		drawn:	18.11.2009	Stefan Ullrich
edges according to ISO 13715 surfaces (Ra) array 2 array 3 DIN ISO 1302		checked:		
		approved:	29.10.2018	Heike Konrad
		order number:		
		type:	M8	
		drawing number:	TWA-M8-0001	
		revision no.:	0	sheet: 1 1
				A3