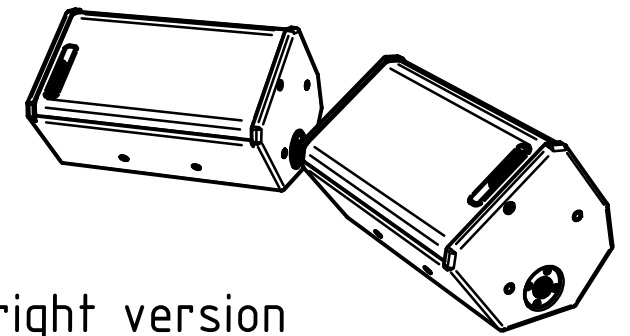
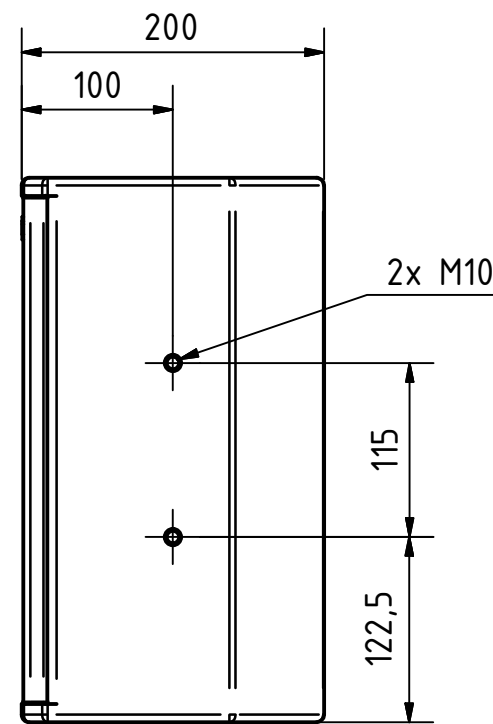


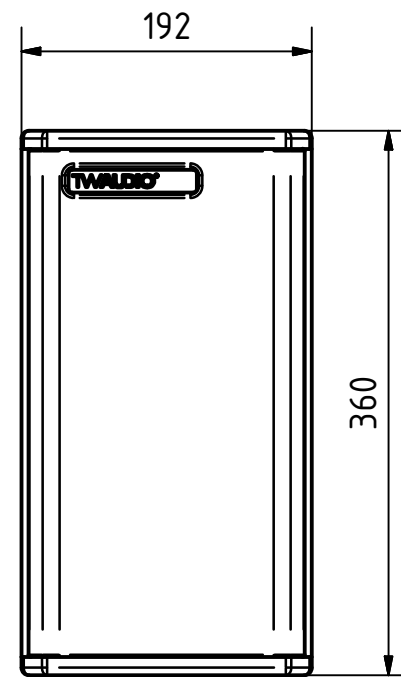
bottom view



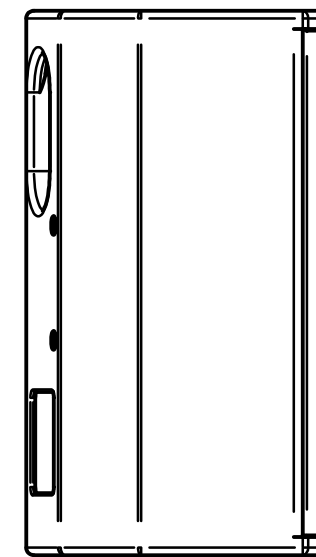
M6 left and right version shown in monitor use.



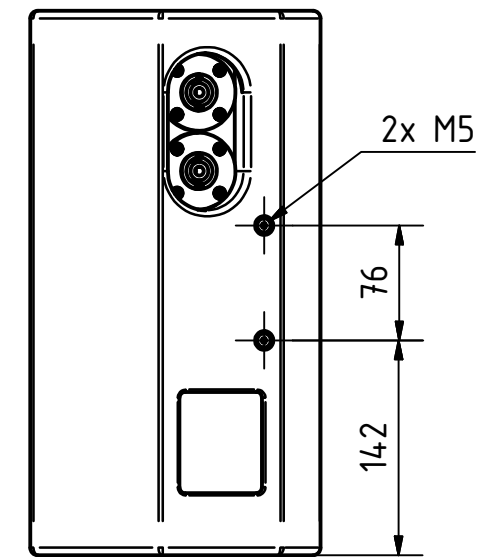
right view



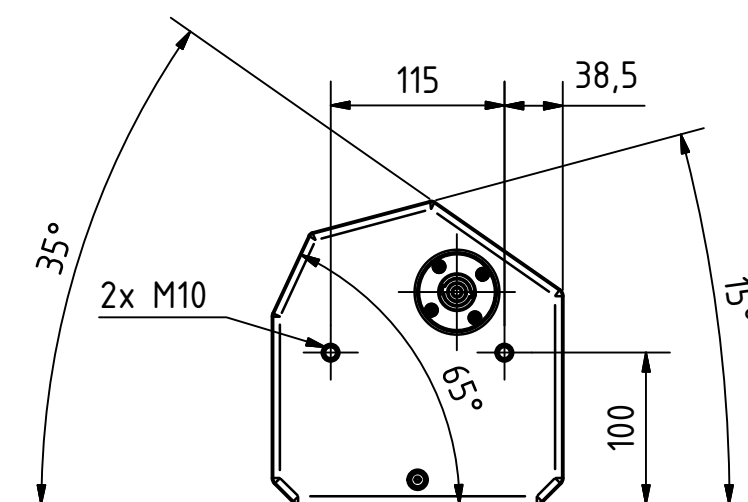
front view



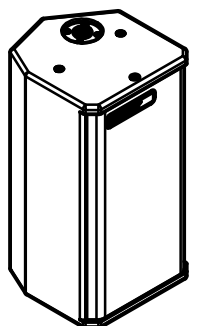
left view



rear view



top view



0		29.10.2018	Heike Konrad
rev. no.	description	date	modified by
revision process			
<b>TWAUDIO</b> Osterholzallee 140-2 71636 Ludwigsburg www.twaudio.de		scale:	
		weight: 5,8 kg	
All rights to this drawing reserved in accordance with ISO 16016. Copying and distribution by manufacturer's permission only.		document type: overview drawing	order number:
		status type: released	type: M6
general tolerance: ISO 2768-mK	edges according to ISO 13715	date	name
ISO 13920-BF	surfaces (Ra)	constructed: 22.01.2010	Stefan Ullrich
ISO 9013-IIA/K	array 2	drawn: 02.03.2010	Stefan Ullrich
according to ISO 8015	array 3	checked:	
	DIN ISO 1302	approved: 29.10.2018	Heike Konrad
		drawing number: TWA-M6-0001	
		revision no: 0	sheet: 1   1
		A3	