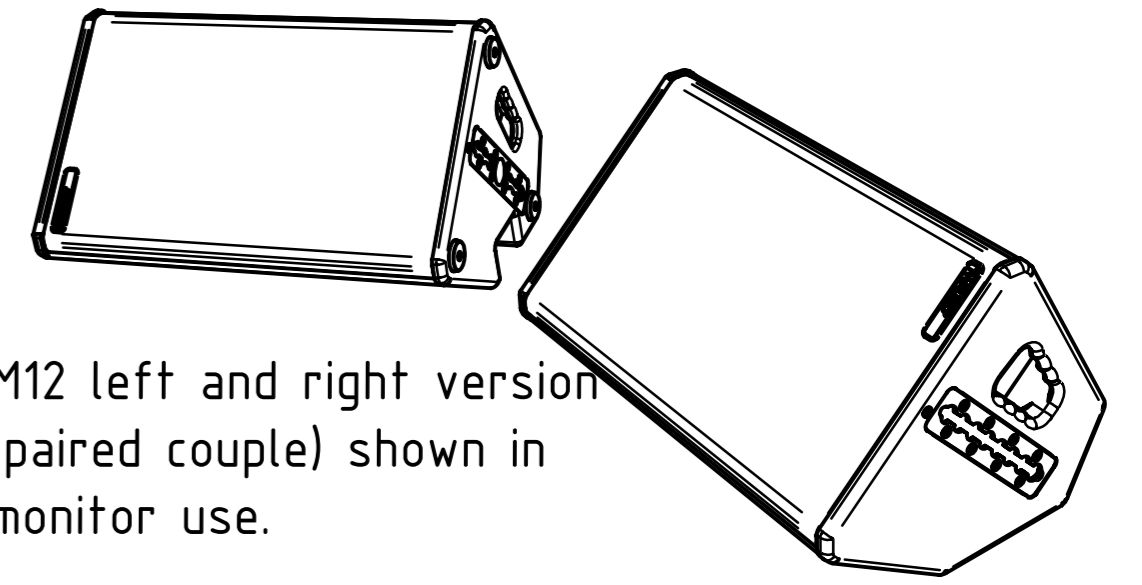
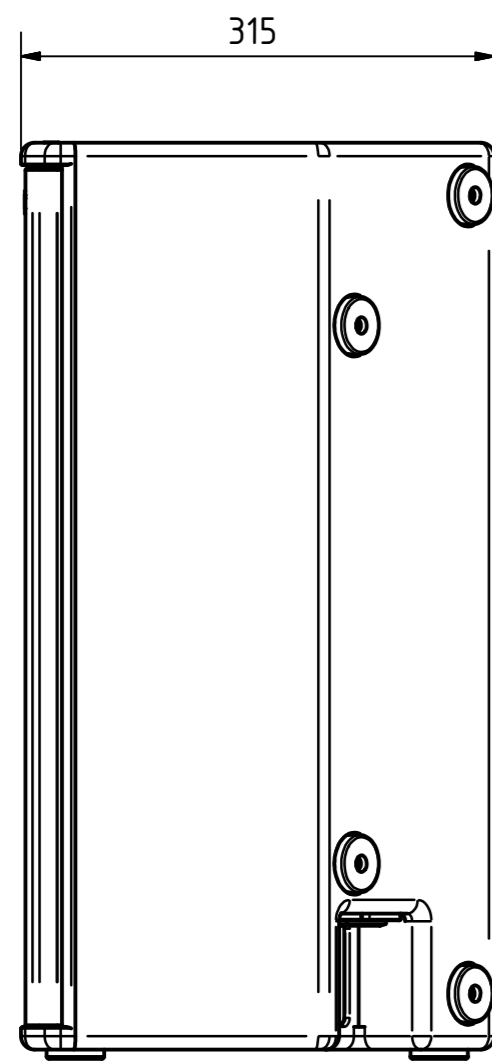


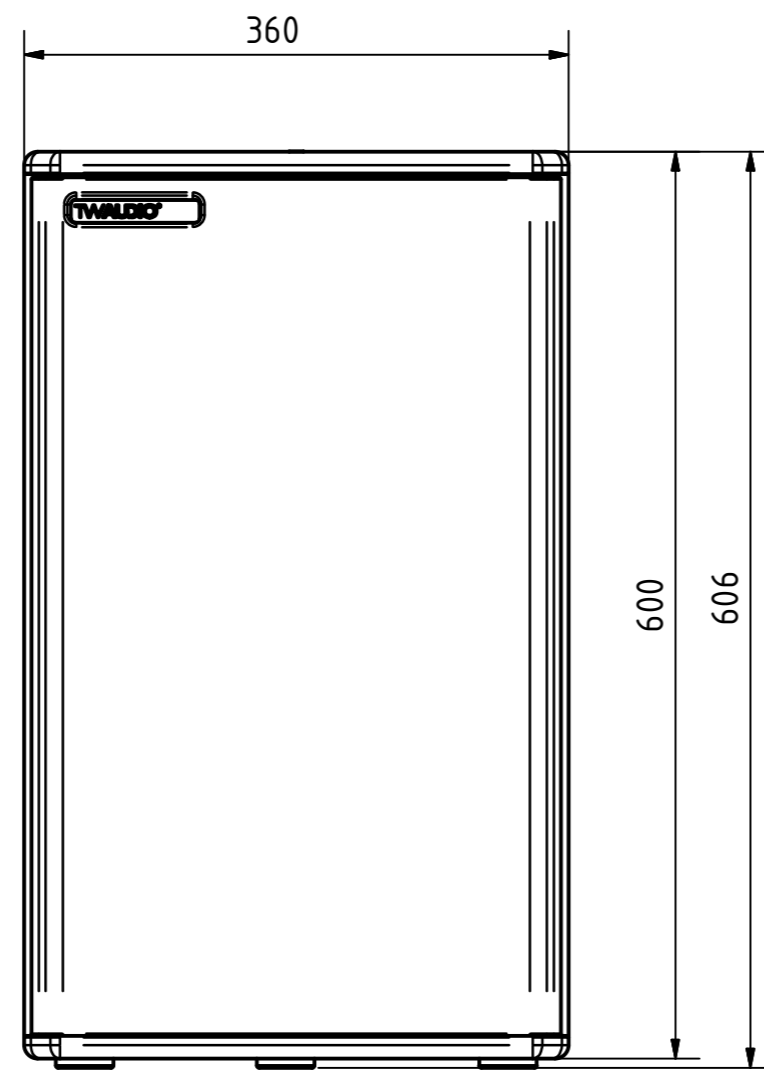
bottom view



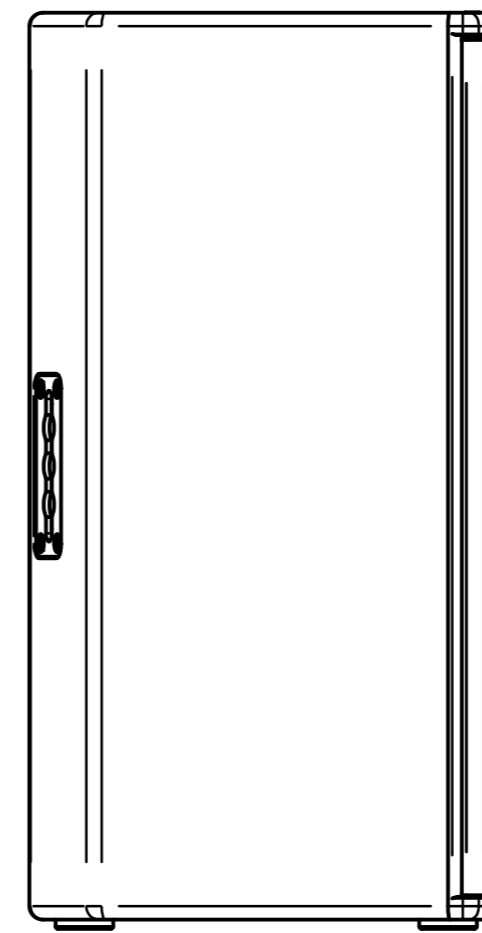
M12 left and right version (paired couple) shown in monitor use.



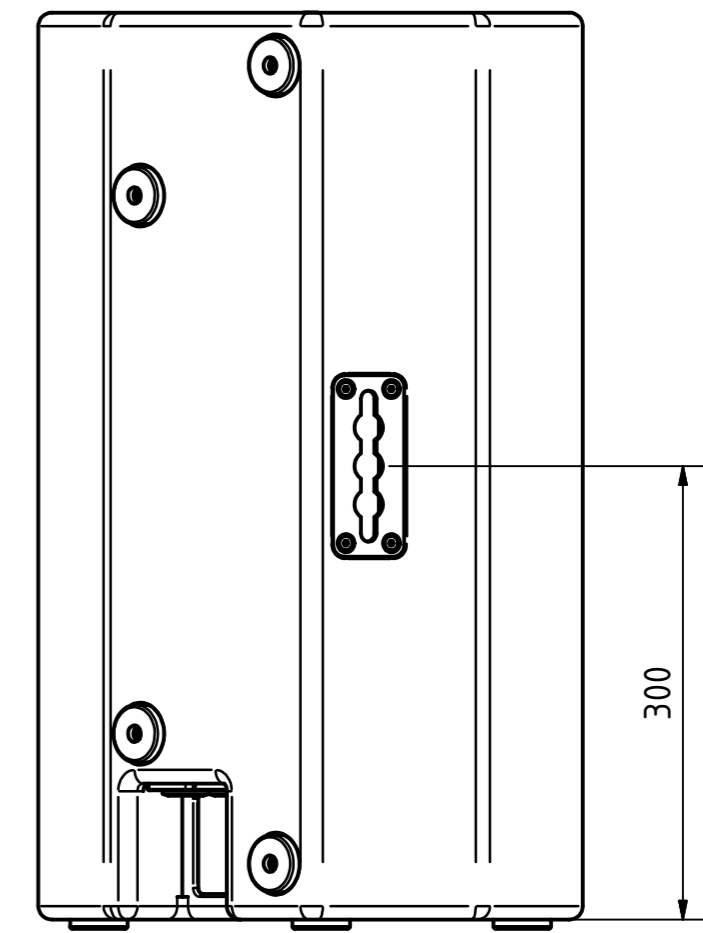
right view



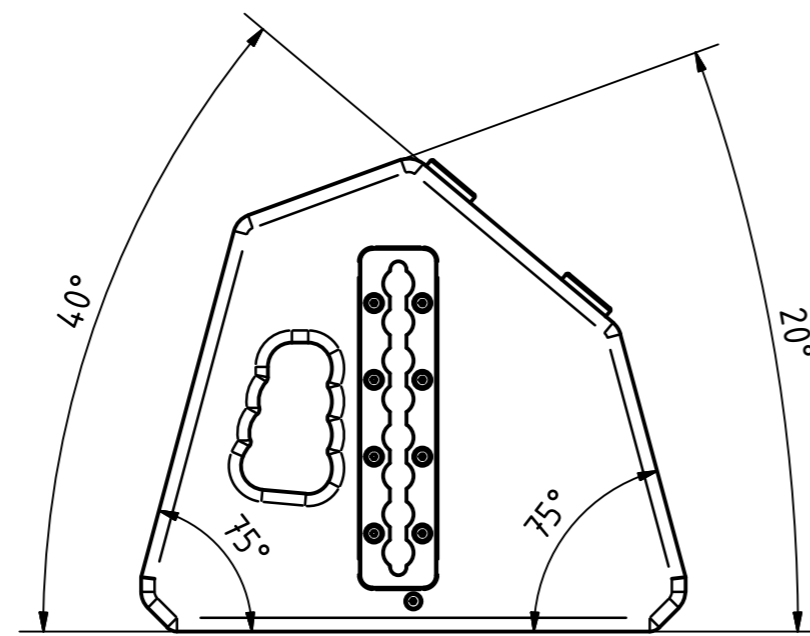
front view



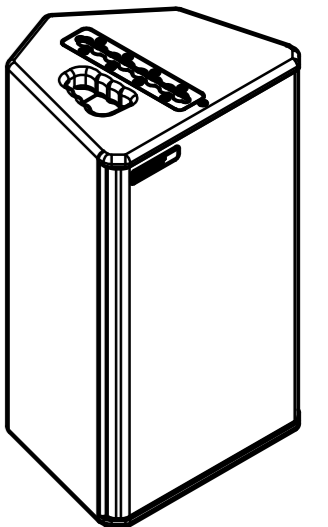
left view



rear view



top view



0	rev. no.	description	29.10.2018	Heike Konrad	date	modified by
revision process						
TWAUDIO Osterholzallee 140-2 71636 Ludwigsburg www.twaudio.de		scale:	weight: 20,5 kg			
All rights to this drawing reserved in accordance with ISO 16016. Copying and distribution by manufacturer's permission only.		document type:	overview drawing			
general tolerance ISO 2768-mK ISO 13920-BF ISO 9013-IIA/K according to ISO 8015		status type:	released			
edges according to ISO 13715 surfaces (Ra) array 2 array 3 according to ISO 1302		order number:	M12			
		date	name			
		constructed	06.11.2009 Stefan Ullrich			
		checked:	06.11.2009 Stefan Ullrich			
		approved	29.10.2018 Heike Konrad			
		drawing number:	TWA-M12-0001			
		revision no.:	0			
		sheet:	1 1			
			Az			
C:\CAD\TW_AUDIO\CAD-Daten\Produkte\M12\M12.dwg						