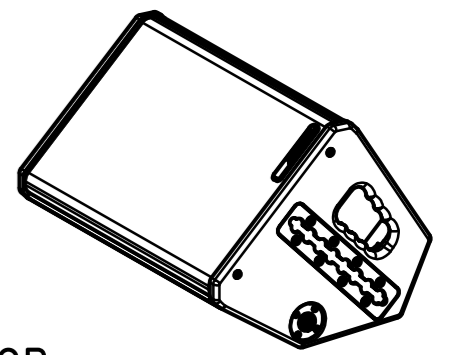
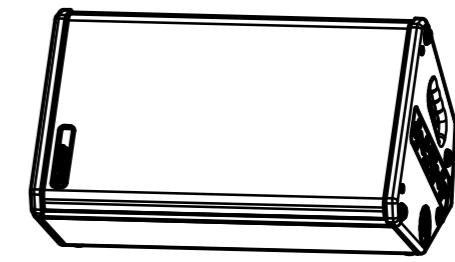
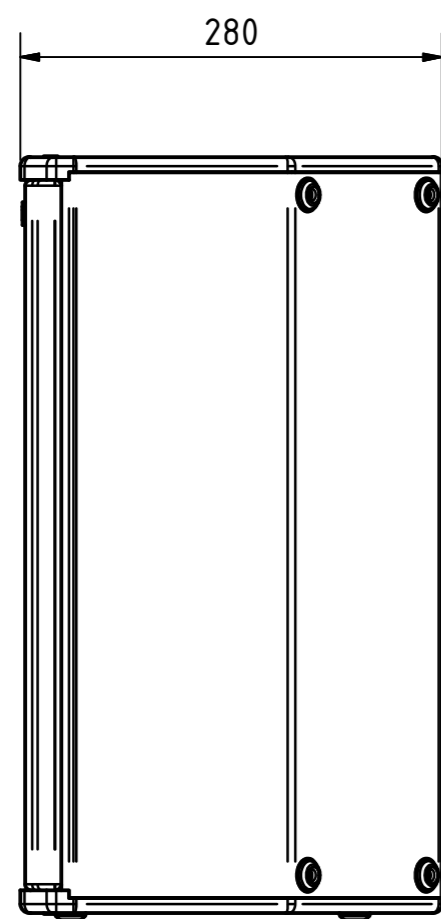


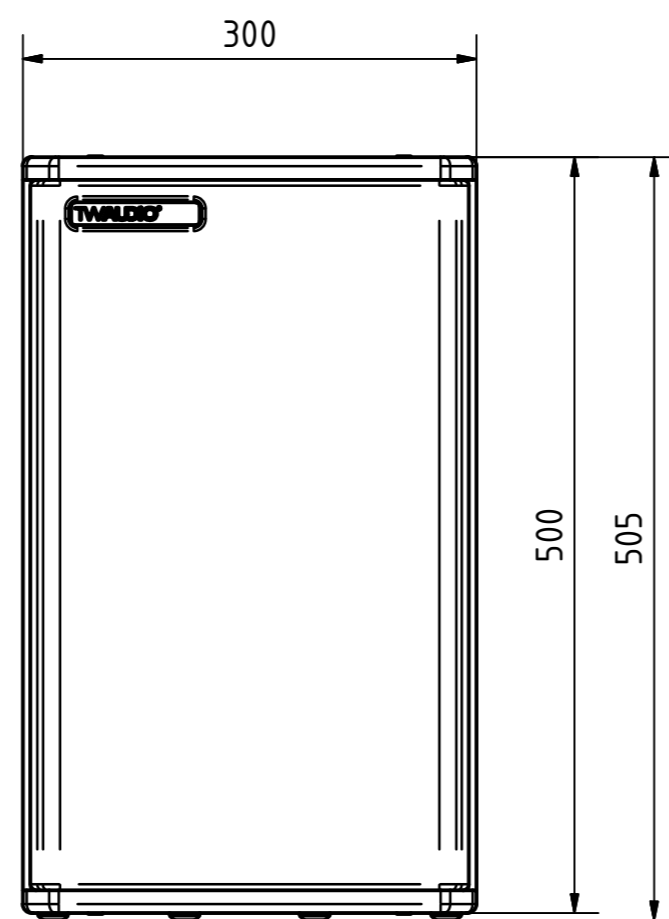
bottom view



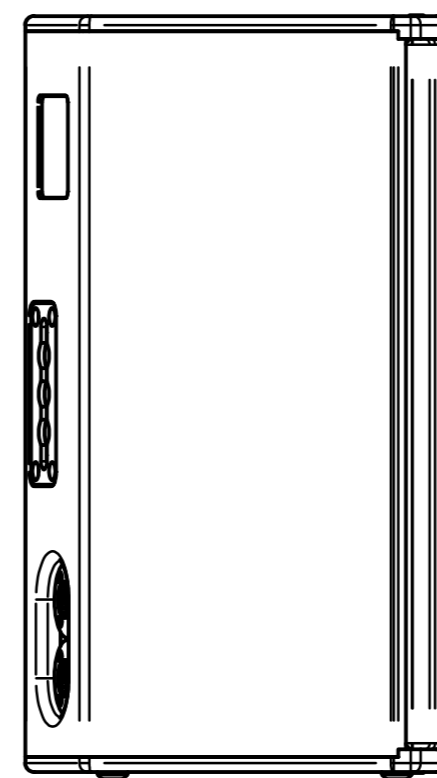
M10 left and right version shown in monitor use.



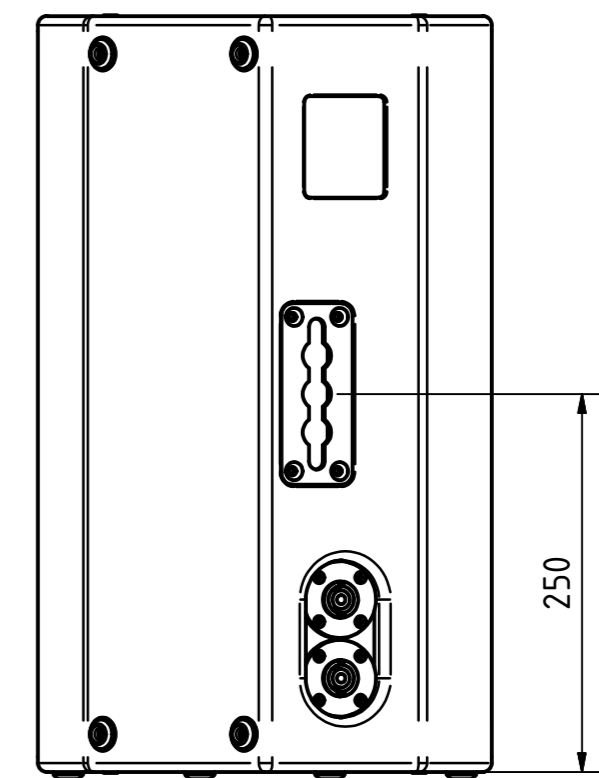
right view



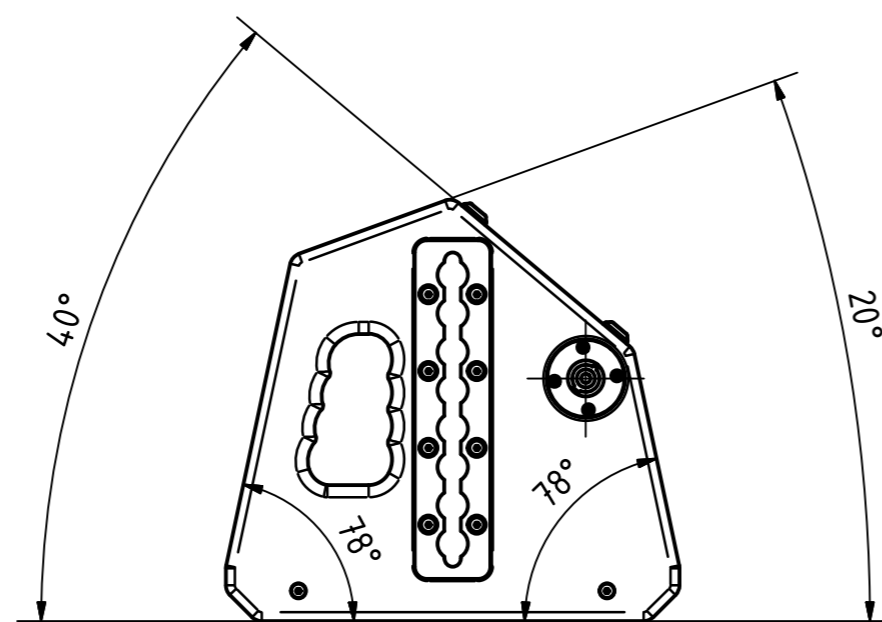
front view



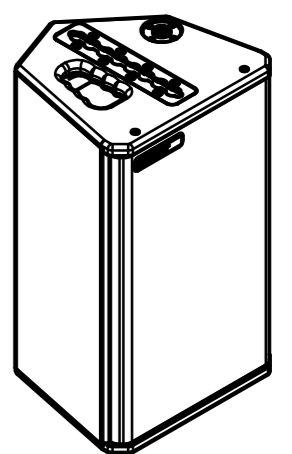
left view



rear view



top view



0		29.10.2018	Heike Konrad
rev. no.		date	modified by
revision process			
<b>TWAUDIO</b> Osterholzallee 140-2 71636 Ludwigsburg www.twaudio.de  All rights to this drawing reserved in accordance with ISO 16016. Copying and distribution by manufacturer's permission only.	scale:		
	weight:	15,2 kg	
	document type:	overview drawing	
	status type:	released	
	date	name	
	17.03.2011	Stefan Ullrich	
	29.07.2013	Tim Reisinger	
	checked:		
	approved:	29.10.2018	Heike Konrad
general tolerance ISO 2768-mK ISO 13920-BF ISO 9013-IIA/K according to ISO 8015	edges according to ISO 13715 surfaces (Ra) array 2 array 3 DIN ISO 1302	drawing number: <b>TWA-M10-0001</b>	revision no.: 0
		sheet:	1   1
			Az