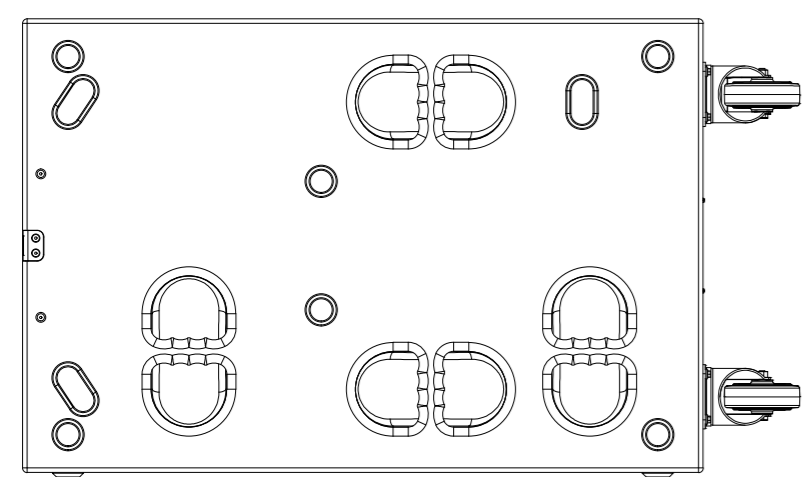
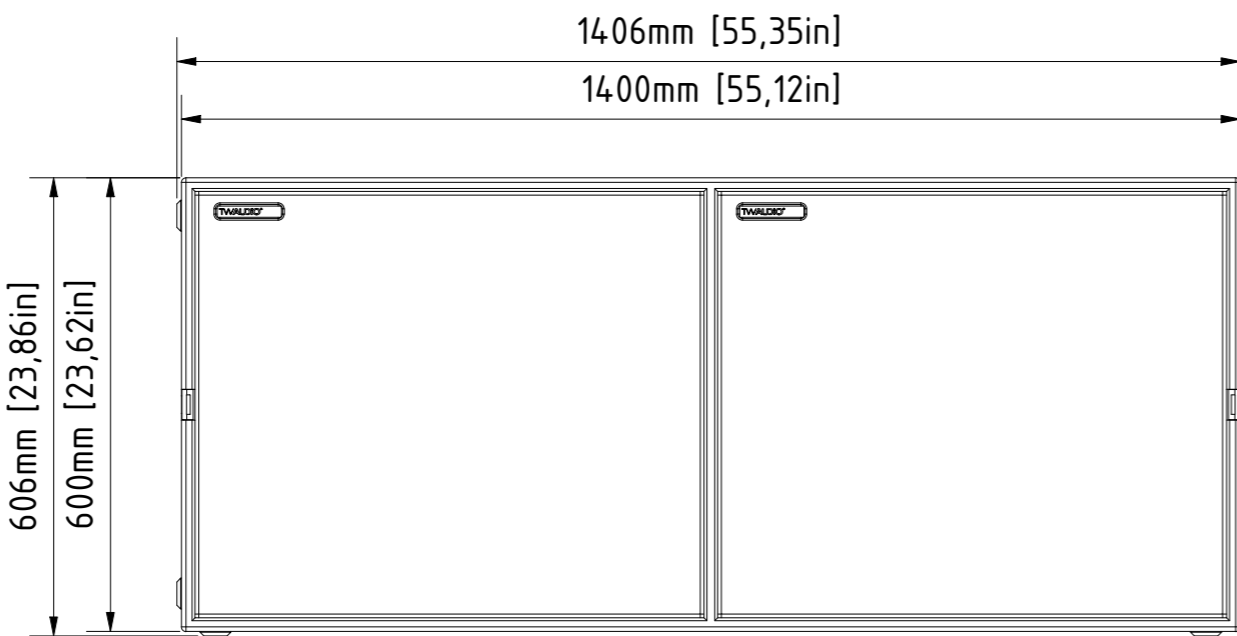


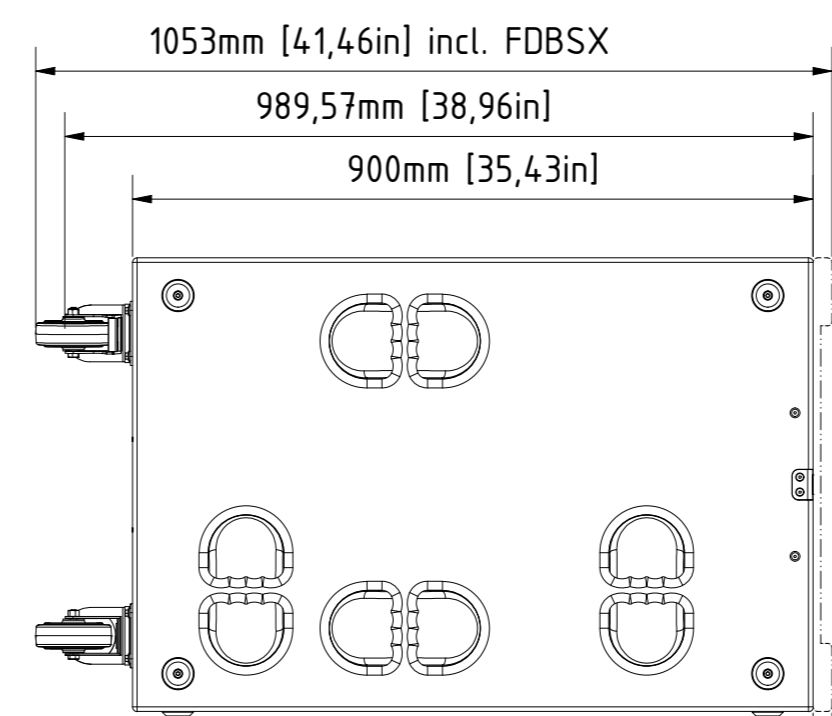
bottom view



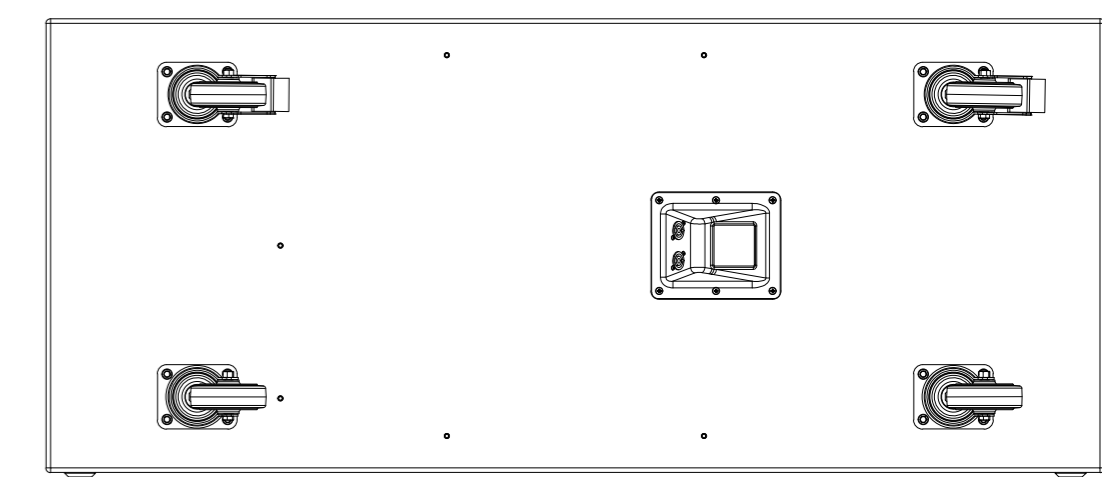
right view



front view

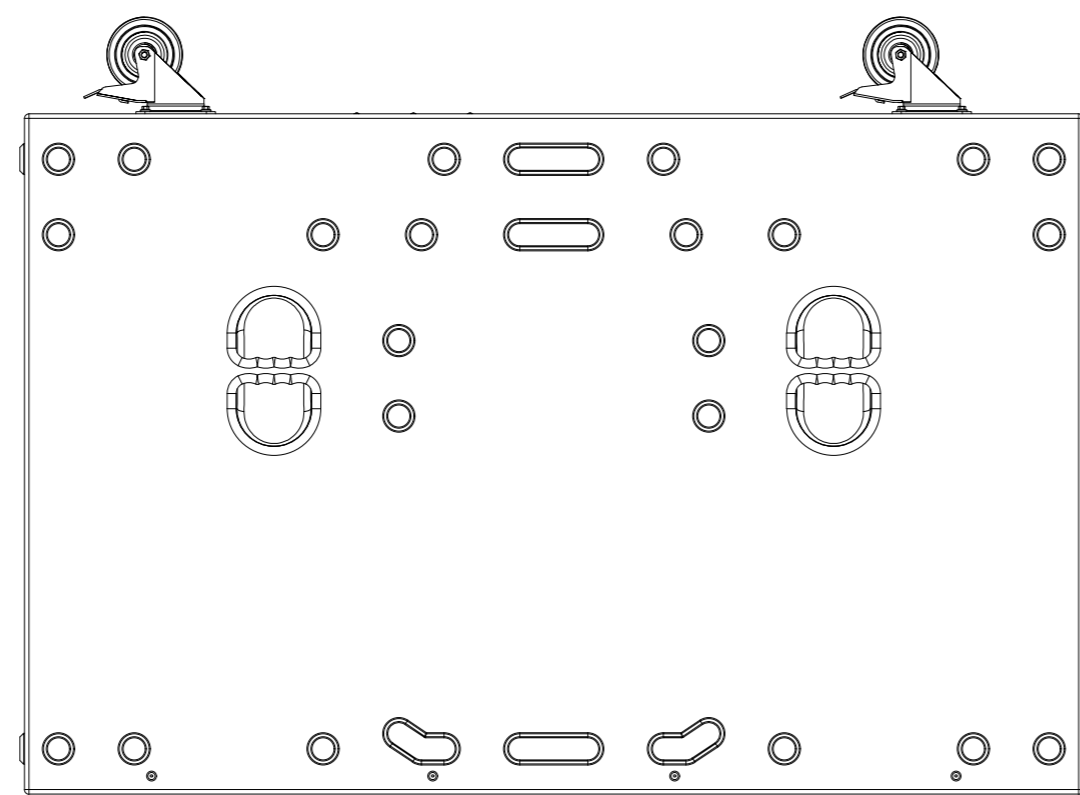


left view

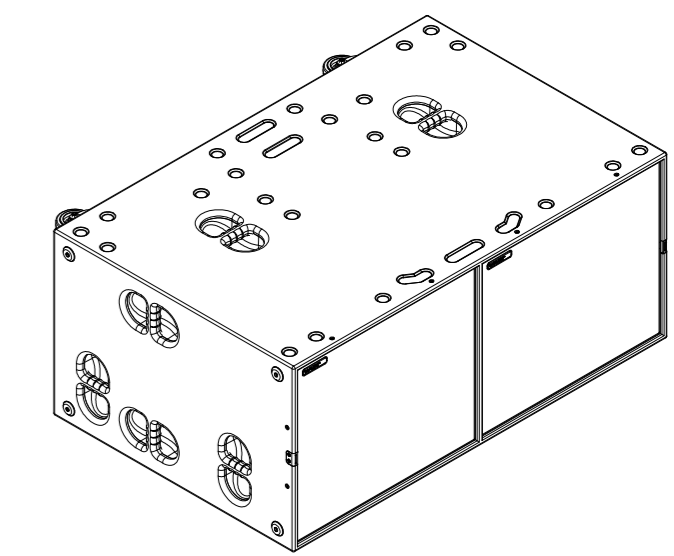


rear view

25mm [0,98in] FDBSX



top view



0			07.05.2019	Heike Konrad
Rev.		Beschreibung	Datum	Geändert von
REVISIONSVERLAUF				
TWAUDIO Osterholzallee 140-2 71636 Ludwigsburg www.twaudio.de		scale: weight: 109 kg [241 lbs] document type: overview drawing status type: released	order number: type: BSX	
All rights to this drawing reserved in accordance with ISO 16016. Copying and distribution by manufacturer's permission only.		date: 21.01.2010 name: Stefan Ullrich checked: 16.04.2010 name: Stefan Ullrich	drawing number: TWA-BSX-0001	
general tolerance ISO 2768-mK ISO 13920-BF ISO 9013-IIA/K according to ISO 8015	edges according to ISO 13715 surfaces (Ra) array 2 array 3 according to ISO 1302	date: 07.05.2019 name: Heike Konrad checked:	revision no.: 0	sheet: 1 of: 1 Az
<small>C:\CAD\TW_AUDIO\CAD-Daten\Produkte\BSX\BSX_kpl.km</small>				