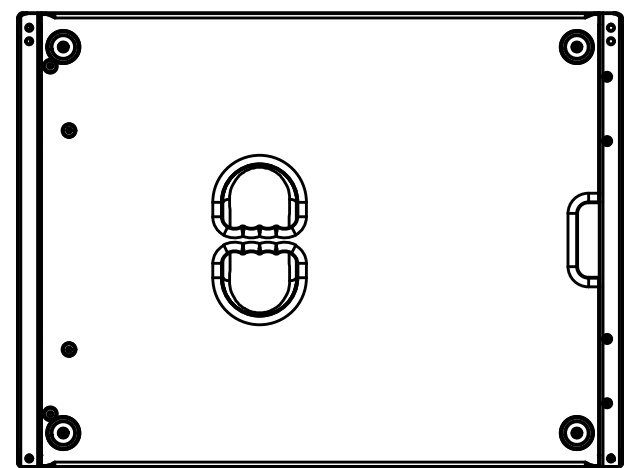
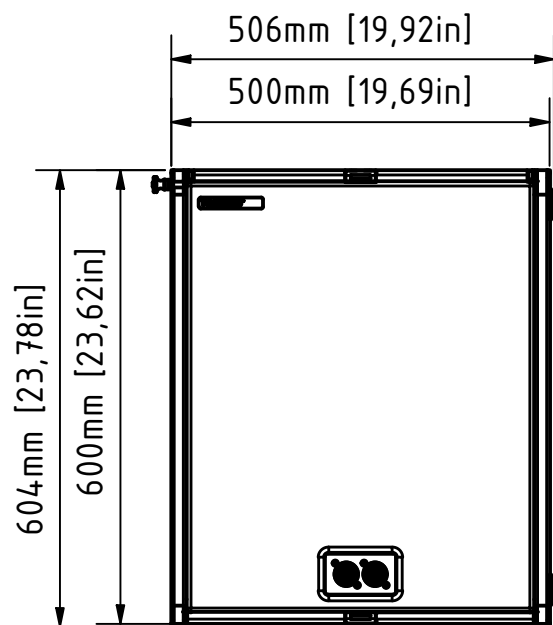


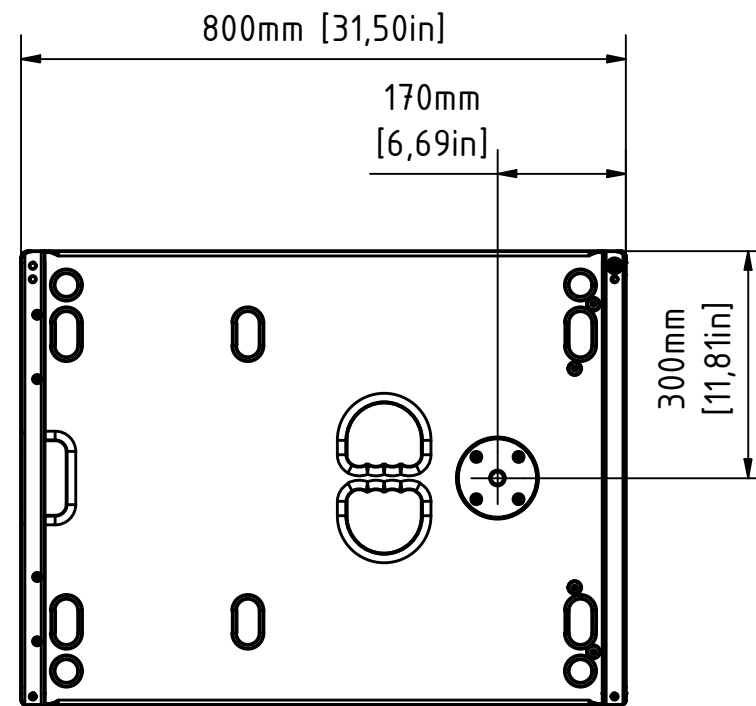
bottom view



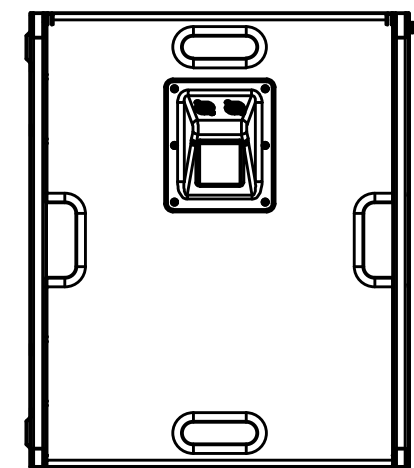
right view



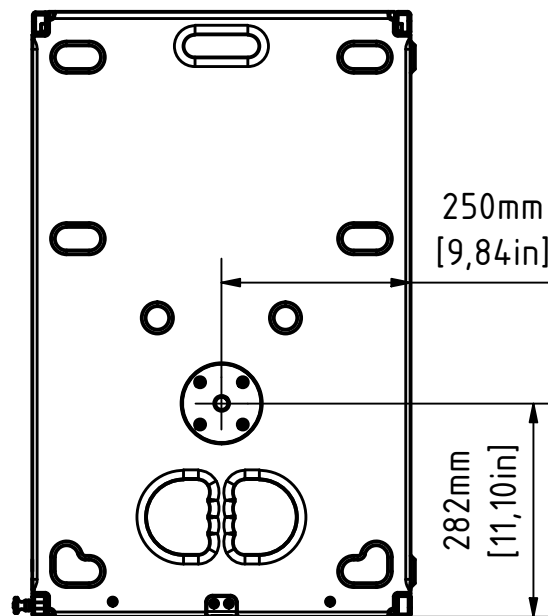
front view



left view



rear view



top view

1	Adress modified		09.12.2021	Heike Konrad
rev. no.		description	date	modified by
revision process				
TWAUDIO® Karl-Hofer-Str. 42 14163 Berlin www.twaudio.de		scale:	1:5 (1:10)	
		weight:	48,4 kg [107 lbs]	
All rights to this drawing reserved in accordance with ISO 16016. Copying and distribution by manufacturer's permission only.		document type:	overview drawing	
		status type:	released	
general tolerance ISO 2768-mK ISO 13920-BF ISO 9013-IIA/K according to ISO 8015		edges according to ISO 13715		
		surfaces (Ra) array 2 array 3 DIN ISO 1302		
constructed: 27.02.2013 Stefan Ullrich drawn: 06.07.2015 B. Letzgas		order number:	2110	
		type:	Subwoofer VERA S18	
approved: 09.12.2021 Heike Konrad		drawing number:	TWA-S18-0001	
		revision no.:	1	sheet: 1 1
				A3