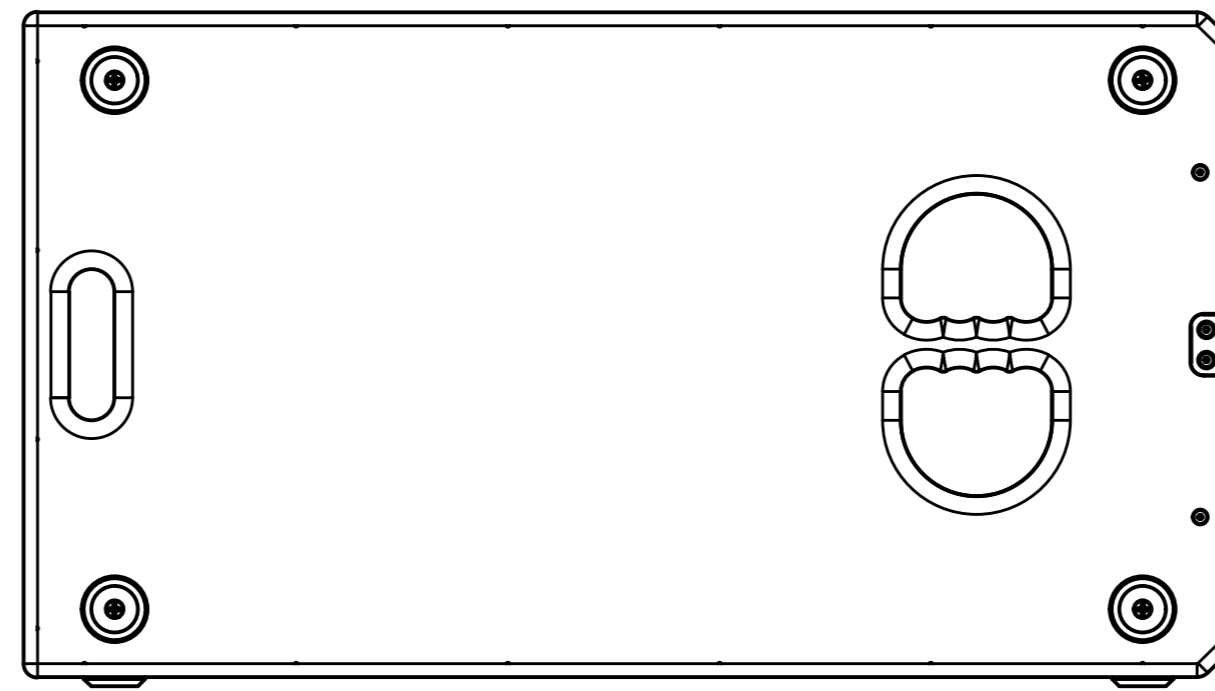
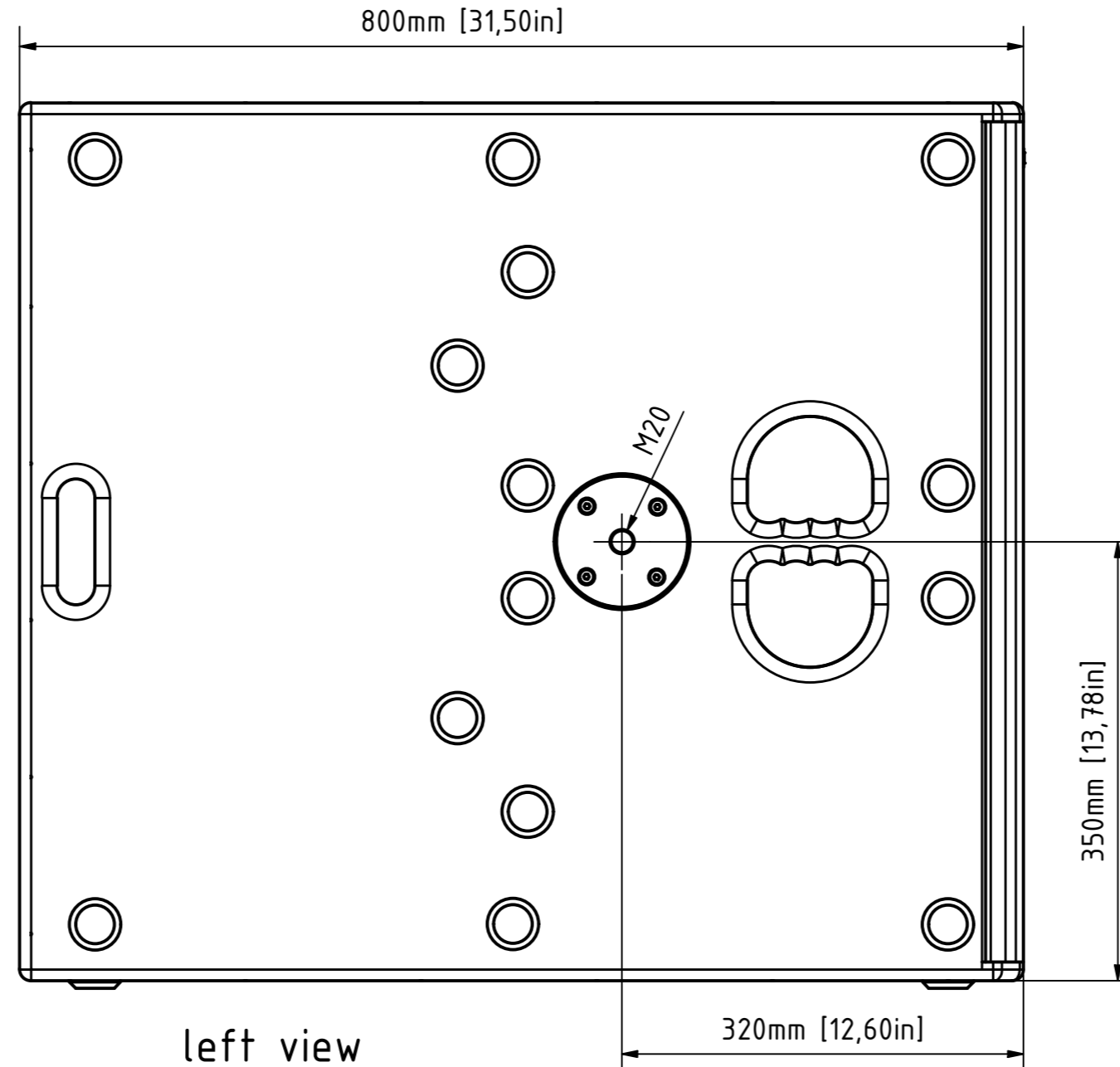


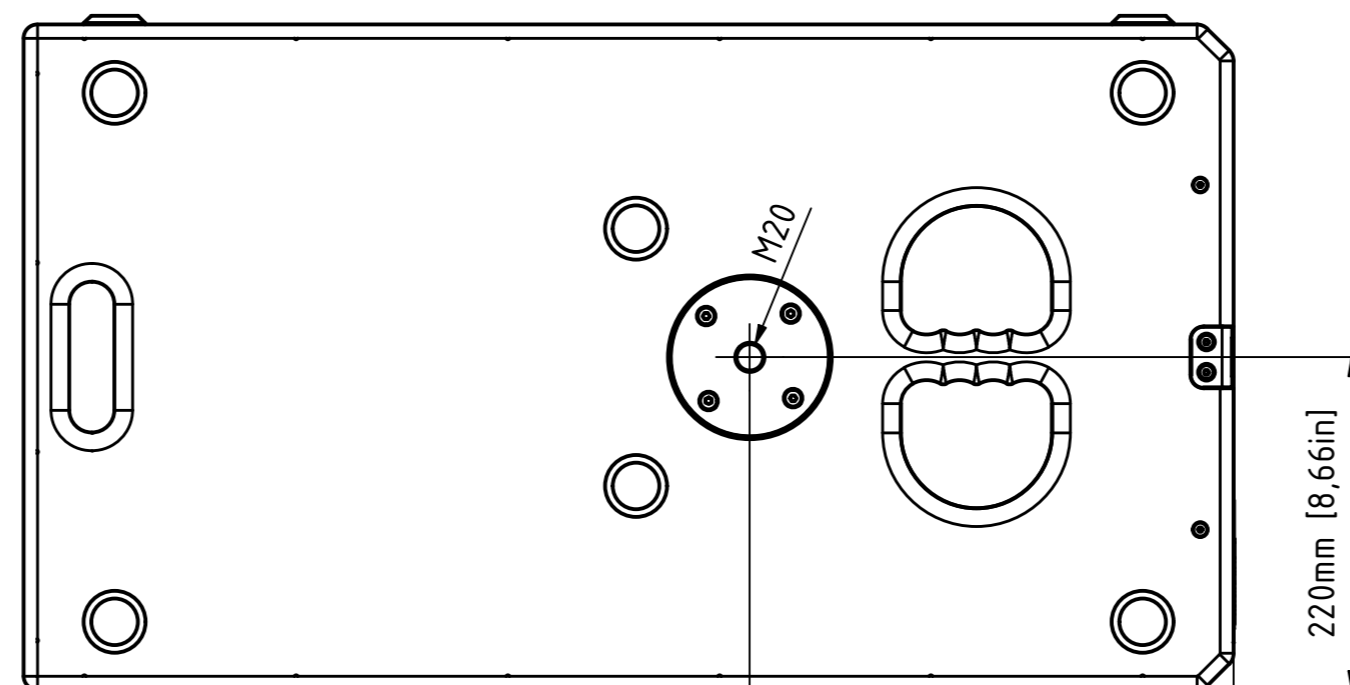
front view



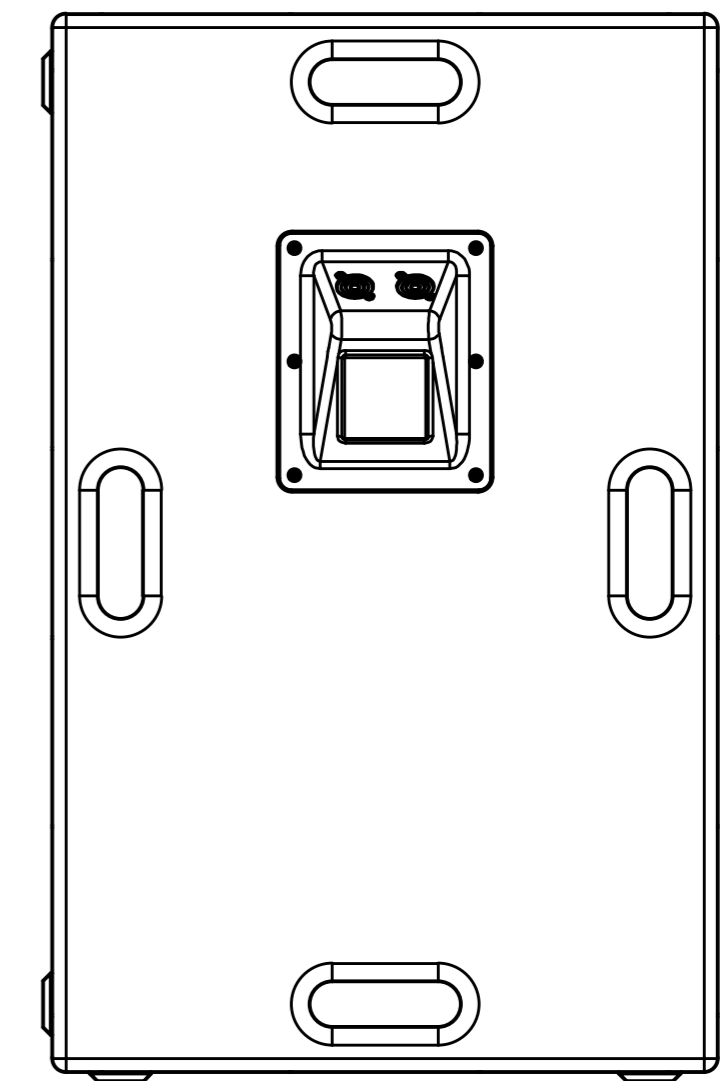
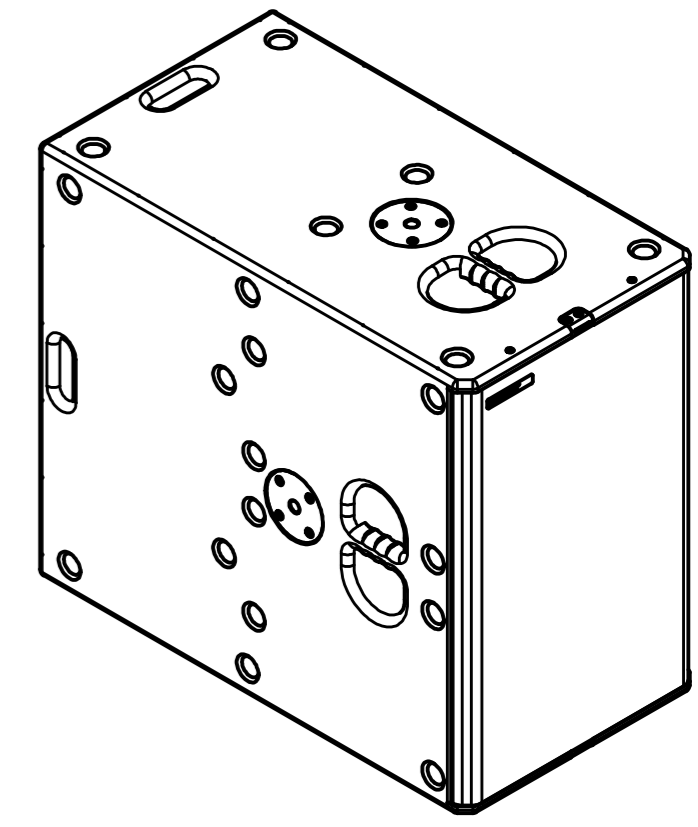
bottom view



left view



top view



rear view

1	Adress modified		08.12.2021	Heike Konrad
Rev.		Beschreibung	Datum	Geändert von
REVISIONSVERLAUF				
TWAUDIO®		scale:		
Karl-Hofer-Str. 42		weight:	38,7 kg [86 lbs]	
14,163 Berlin		document type:	overview drawing	
www.twaudio.de		status type:	released	
All rights to this drawing reserved in accordance with ISO 16016. Copying and distribution by manufacturer's permission only.		type:	B30	
general tolerance	edges according to ISO 13715	date	name	
ISO 2768-mK	surfaces (Ra)	constructed	14.02.2009 Stefan Ullrich	
ISO 13920-BF	array 2	drawn:	18.11.2009 Stefan Ullrich	
ISO 9013-IIA/K	array 3	checked:		
according to ISO 8015	DIN ISO 1302	approved:	08.12.2021 Heike Konrad	
		drawing number:	TWA-B30-0001	
		revision no.:	1	
		sheet:	1 1	
		Az:		