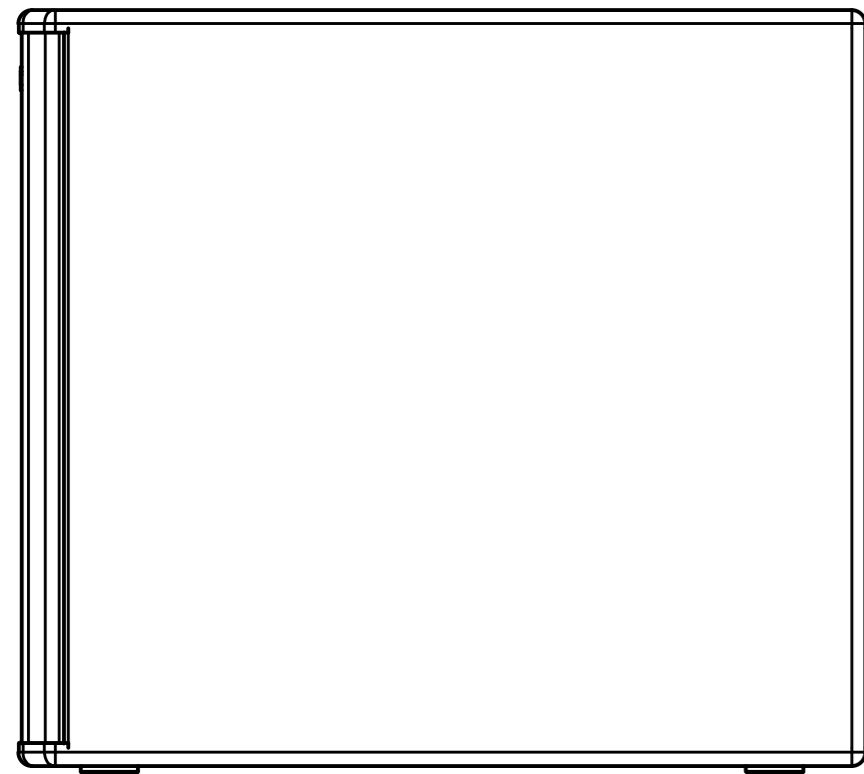
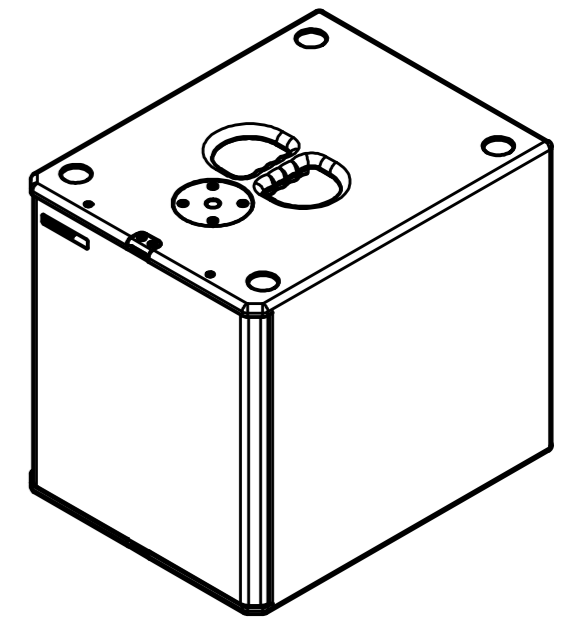
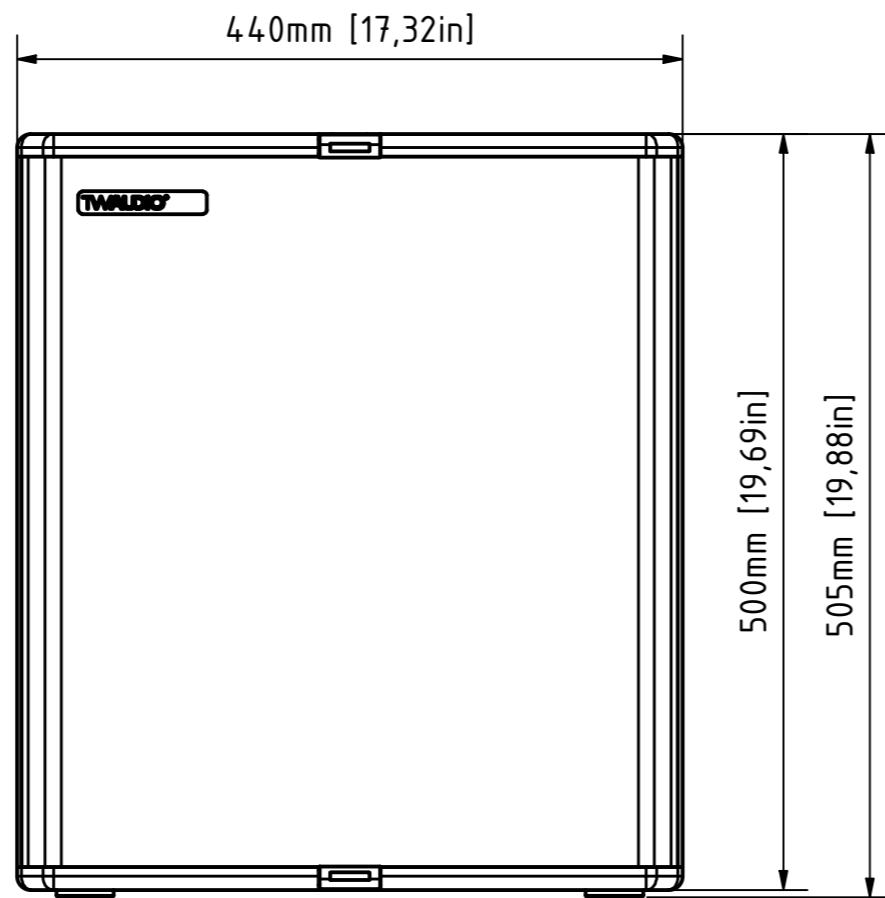


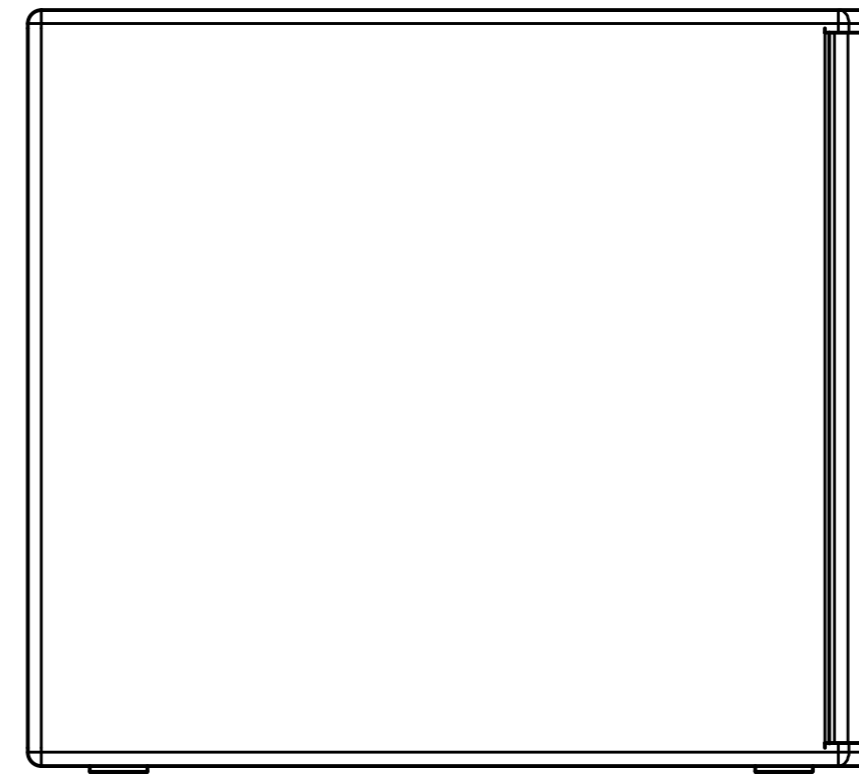
bottom view



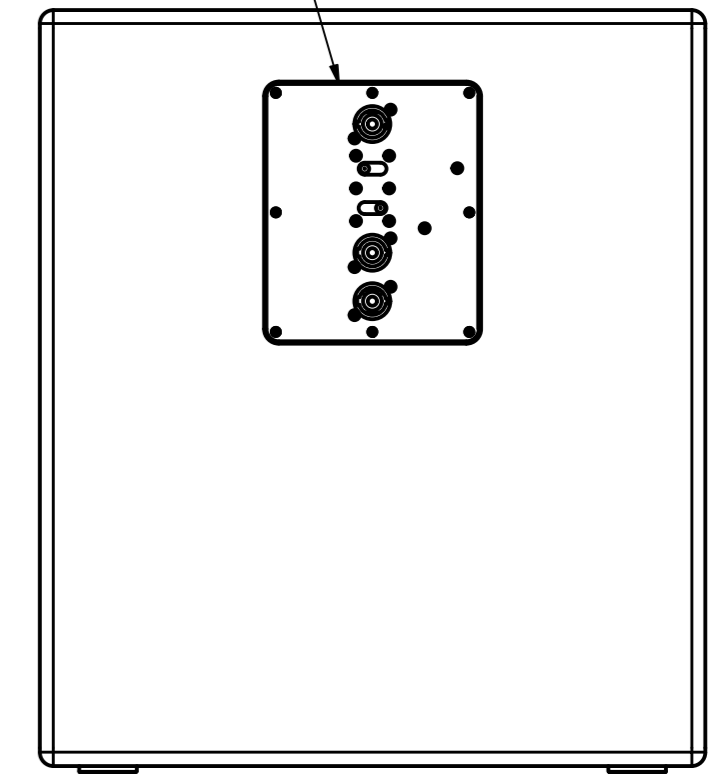
right view



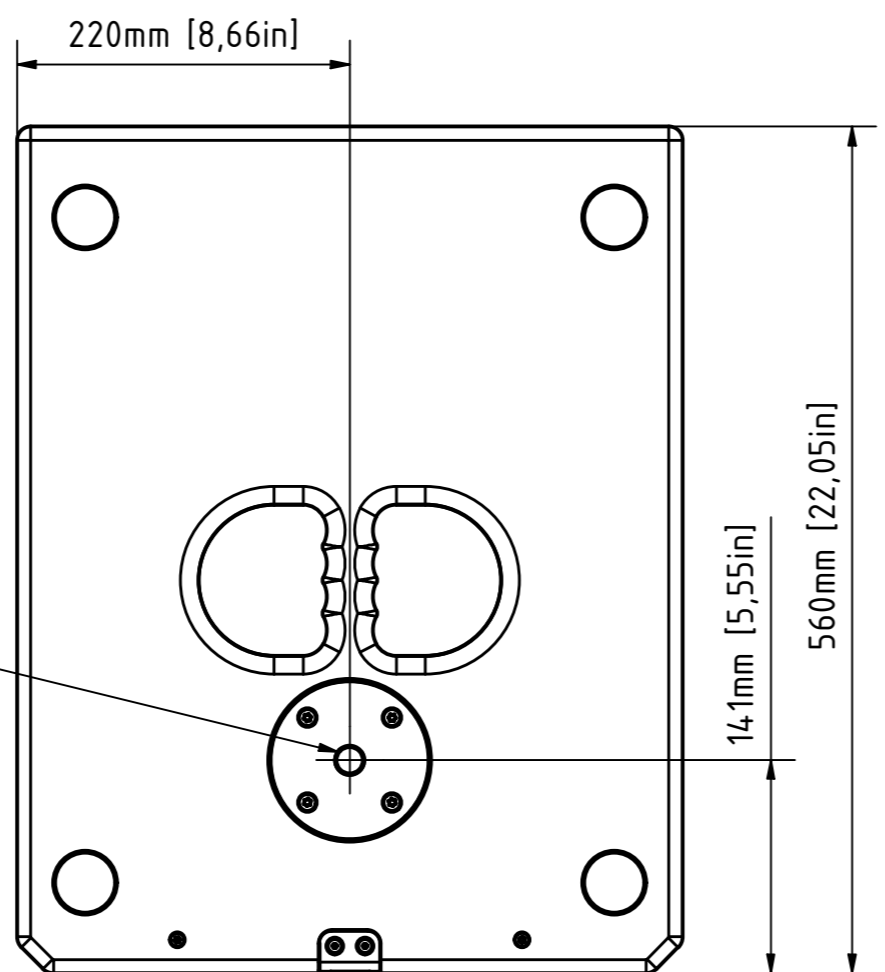
front view



left view



rear view



top view

table	
model	weight
active	22,1 kg [49 lbs]
passive	24,2 kg [54 lbs]

1	Address modified	08.12.2021	Heike Konrad										
Rev.	Beschreibung	Datum	Geändert von										
REVISIONSVERLAUF													
TWAUDIO Karl-Hofer-Str. 42 14163 Berlin www.twaudio.de		scale: weight: weight see table document type: overview drawing status type: released	order number: type: B15										
All rights to this drawing reserved in accordance with ISO 16016. Copying and distribution by manufacturer's permission only.													
general tolerance ISO 2768-mK ISO 13920-BF ISO 9013-IIA/K according to ISO 8015	edges according to ISO 13715 surfaces (Ra) array 2 array 3 DIN ISO 1302	<table border="1"> <tr> <th>date</th> <th>name</th> </tr> <tr> <td>24.07.2009</td> <td>Stefan Ullrich</td> </tr> <tr> <td>18.11.2009</td> <td>Stefan Ullrich</td> </tr> <tr> <td>checked:</td> <td></td> </tr> <tr> <td>approved:</td> <td>08.12.2021 Heike Konrad</td> </tr> </table>	date	name	24.07.2009	Stefan Ullrich	18.11.2009	Stefan Ullrich	checked:		approved:	08.12.2021 Heike Konrad	drawing number: TWA-B15-0001 revision no: 1 sheet: 1 2 Az
date	name												
24.07.2009	Stefan Ullrich												
18.11.2009	Stefan Ullrich												
checked:													
approved:	08.12.2021 Heike Konrad												