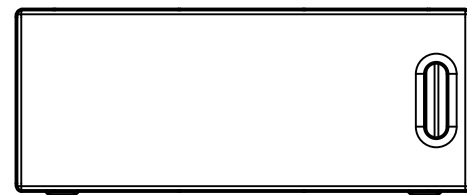
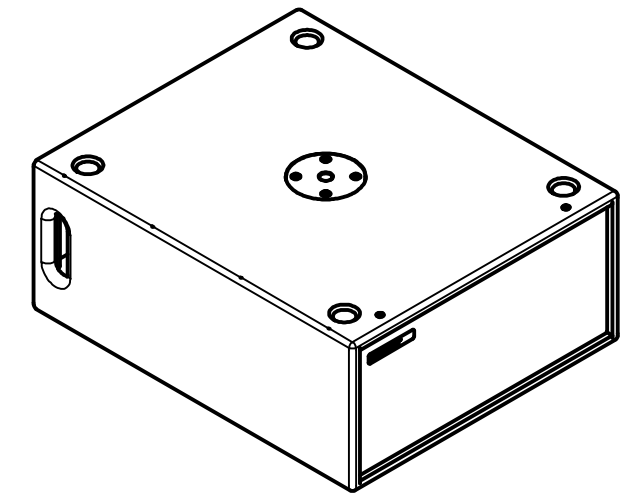
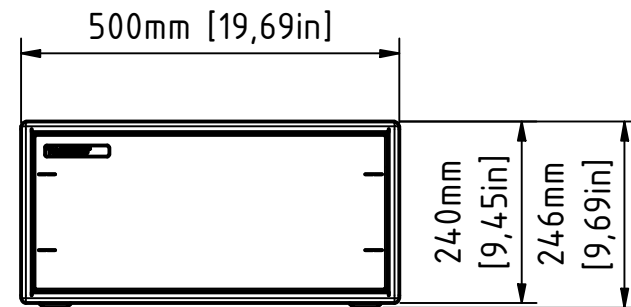


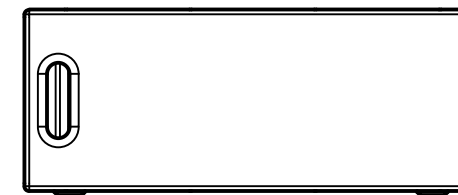
bottom view



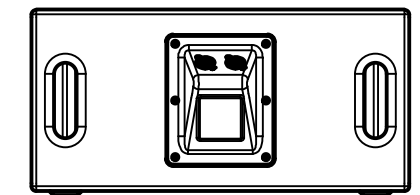
left view



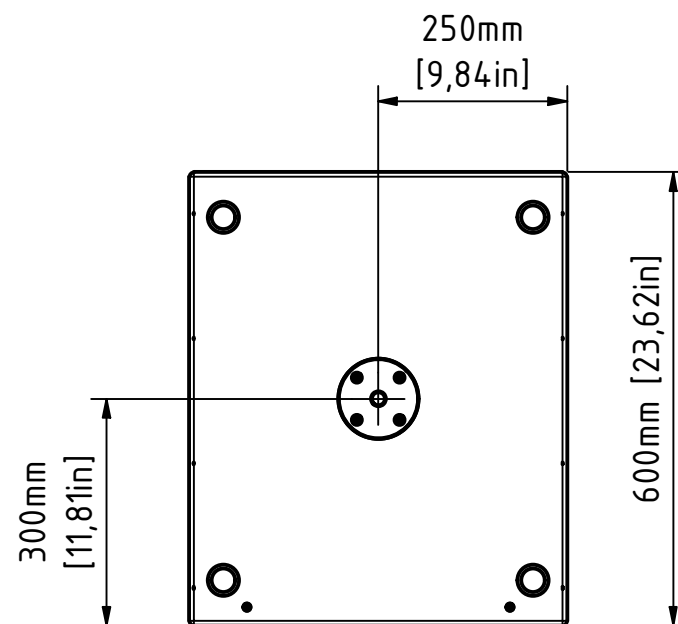
front view



right view



rear view



top view

1	Adress modified	08.12.2021	Heike Konrad
rev. no.	description	date	modified by
revision process			
TWAUDIO® Karl-Hofer-Str. 42 14163 Berlin www.twaudio.de	scale: 1:10	order number:	
	weight: 21,8 kg [48,06 lbs]		
All rights to this drawing reserved in accordance with ISO 16016. Copying and distribution by manufacturer's permission only.	document type: overview drawing	type: B14	
	status type: released		
general tolerance ISO 2768-mK ISO 13920-BF ISO 9013-IIA/K according to ISO 8015	constructed: 28.02.2018	date	name
	drawn: 17.01.2020	Heike Konrad	
edges according to ISO 13715 surfaces (Ra) array 2 array 3 DIN ISO 1302	checked:	drawing number: TWA-B14-0001	
	approved: 08.12.2021		
C:\CAD_TW_AUDIO\CAD-Daten\Produkte\B14\B14_kpliam		revision no.: 1	sheet: 1 2 A3